

UL/cUL SYSTEM NO. HW-D-0874

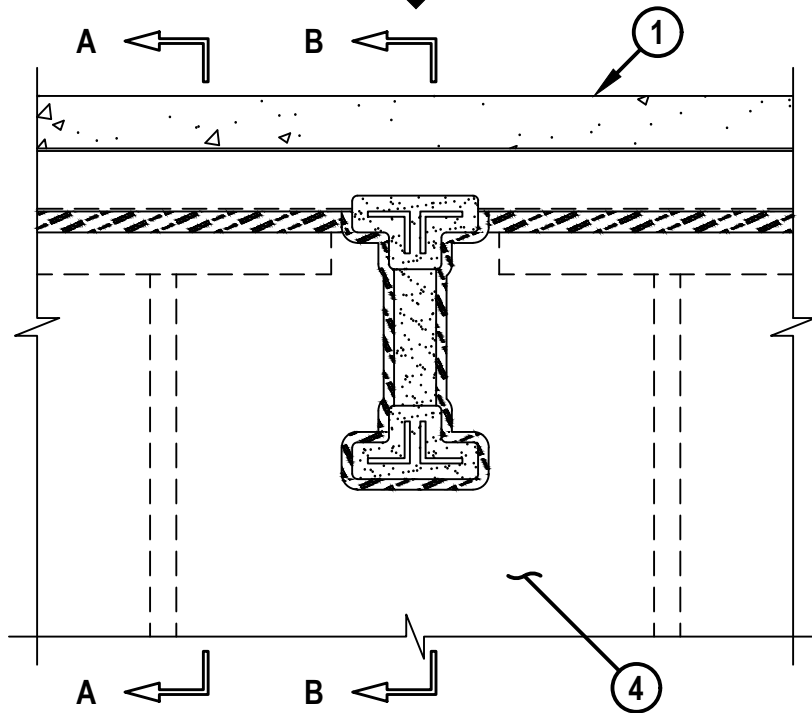
TOP OF WALL JOINT : GYPSUM WALL ASSEMBLY

ASSEMBLY RATING = 2-HR.

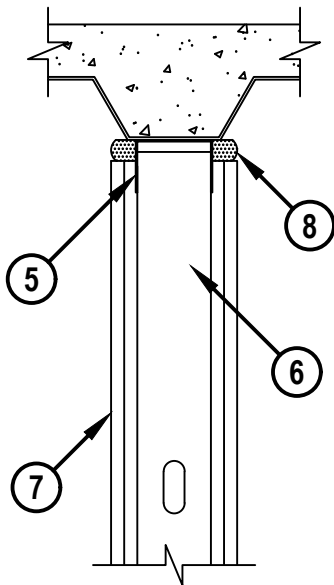
CLASS II MOVEMENT CAPABILITIES - 25% COMPRESSION OR EXTENSION OR 60% COMPRESSION ONLY

HWD0874c.011221

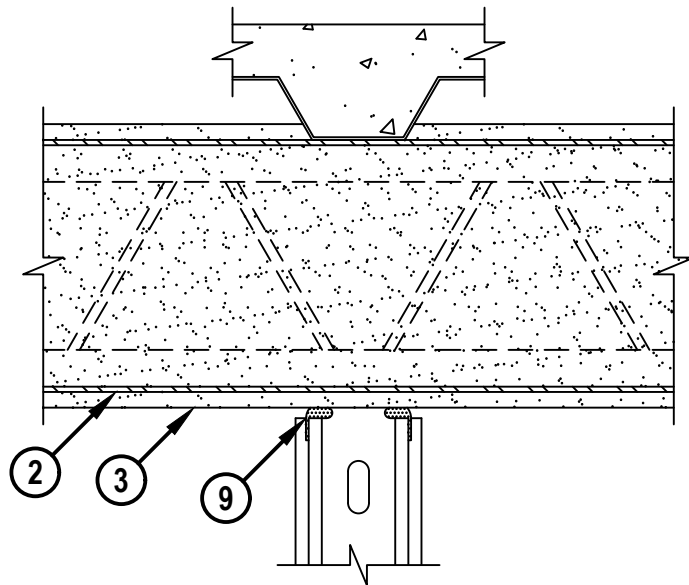
FRONT VIEW



SECTION A-A



SECTION B-B



HILTI, Inc.
Plano, Texas USA (800) 879-8000

Sheet	1 of 2
Scale	7/64" = 1"
Date	Jan. 12, 2021

Drawing No.
**HWD
0874c**

Saving Lives through Innovation and Education

TOP OF WALL JOINT : GYPSUM WALL ASSEMBLY

ASSEMBLY RATING = 2-HR.

CLASS II MOVEMENT CAPABILITIES - 25% COMPRESSION OR EXTENSION OR 60% COMPRESSION ONLY

HWD0874c.011221

1. LIGHTWEIGHT OR NORMAL WEIGHT CONCRETE FLOOR (MINIMUM 2-1/2" THICK) OVER METAL DECKING (UL/cUL CLASSIFIED D900 SERIES) (2-HR. FIRE-RATING).
2. [OPTIONAL] STEEL BEAM OR OPEN WEB STEEL JOIST, ORIENTED PERPENDICULAR TO WALL ASSEMBLY (SEE NOTE NO. 4 BELOW).
3. UL CLASSIFIED MONOKOTE TYPES MK-6/HY OR MK-10/HB (MANUFACTURED BY GCP APPLIED TECHNOLOGIES) OR TYPE 300 OR TYPE 400 (MANUFACTURED BY ISOLATEK, INT.) FIREPROOFING SPRAYED TO THE THICKNESS SPECIFIED IN THE INDIVIDUAL D900 SERIES.
4. GYPSUM WALL ASSEMBLY (UL/cUL CLASSIFIED U400, V400, OR W400 SERIES) (2-HR. FIRE-RATING).
5. CEILING RUNNER (MIN. 25 GA., FLANGE HEIGHT OF CEILING RUNNER SHALL BE MINIMUM 1/4" GREATER THAN MAXIMUM EXTENDED JOINT WIDTH) FASTENED TO UNDERSIDE OF STEEL FLOOR UNIT WITH MASONRY ANCHORS OR STEEL FASTENERS (SPACED MAXIMUM 24" OC) AND WITHIN 1" OF ENDS AT THE STRUCTURAL STEEL SUPPORT (SEE NOTE NO. 5 BELOW).
6. STEEL STUDS (MINIMUM 3-5/8" WIDE) CUT 1/2" TO 1" LESS IN LENGTH THAN ASSEMBLY HEIGHT WITH BOTTOM NESTING IN CEILING RUNNER WITHOUT ATTACHMENT.
7. 5/8" OR 1-1/4" THICKNESS GYPSUM WALLBOARD AS SPECIFIED IN THE INDIVIDUAL UL DESIGN. TOP ROW OF SCREWS SHALL BE INSTALLED INTO STUD 3-1/2" TO 5-1/2" BELOW THE BOTTOM EDGE OF THE CEILING RUNNER.
8. HILTI CFS-TTS MD OS OR CFS-TTS MD 600 TOP TRACK SEAL INSTALLED OVER CEILING RUNNER PRIOR TO ATTACHMENT TO UNDERSIDE OF STEEL FLOOR UNIT IN ACCORDANCE WITH THE ACCOMPANYING INSTALLATION INSTRUCTIONS.
9. HILTI CFS-TTS MD OS OR CFS-TTS MD 600 TOP TRACK SEAL FRICTION FIT BETWEEN THE FIRST LAYER OF GYPSUM BOARD AND THE FIREPROOFING ON STRUCTURAL STEEL SUPPORT WITH THE TOP PORTION OF THE HILTI CFS-TTS MD PRESSED AGAINST THE FACE OF THE GYPSUM BOARD. THE TOP PORTION OF THE HILTI CFS-TTS MD WILL BE SANDWICHED BETWEEN THE FIRST AND SECOND LAYERS OF GYPSUM BOARD ON BOTH SIDES OF WALL.

NOTES : 1. TO ACCOMMODATE MAX 25% COMPRESSION OR EXTENSION, MAXIMUM WIDTH OF JOINT = 1".
 2. TO ACCOMMODATE MAX 60% COMPRESSION ONLY, MAXIMUM WIDTH OF JOINT = 1-1/4".
 3. ANNULAR SPACE BETWEEN GYPSUM AND FIREPROOFING ON STRUCTURAL STEEL SUPPORT = NOMINAL 1/2".
 4. WHERE OPEN WEB STEEL JOISTS PASS THROUGH THE WALL, 3/8" DIAMOND MESH EXPANDED STEEL LATH (NOMINAL WEIGHT = 1.7 TO 3.4 LB PER YARD) SHALL BE SECURED TO ONE SIDE OF EACH JOIST WITH STEEL TIE WIRE.
 5. AS AN ALTERNATE TO CEILING RUNNER IN ITEM 3, SLOTTED CEILING RUNNERS MAY BE USED. CONSULT THE UL FIRE RESISTANCE DIRECTORY FOR APPROVED MANUFACTURERS.



HILTI, Inc.
 Plano, Texas USA (800) 879-8000

Sheet	2 of 2
Scale	-
Date	Jan. 12, 2021

Drawing No.
**HWD
 0874c**