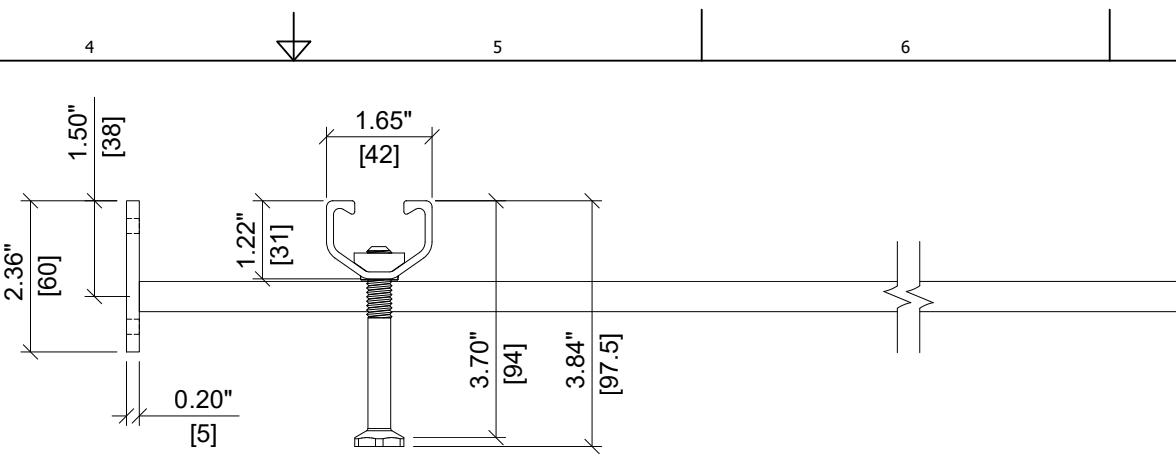
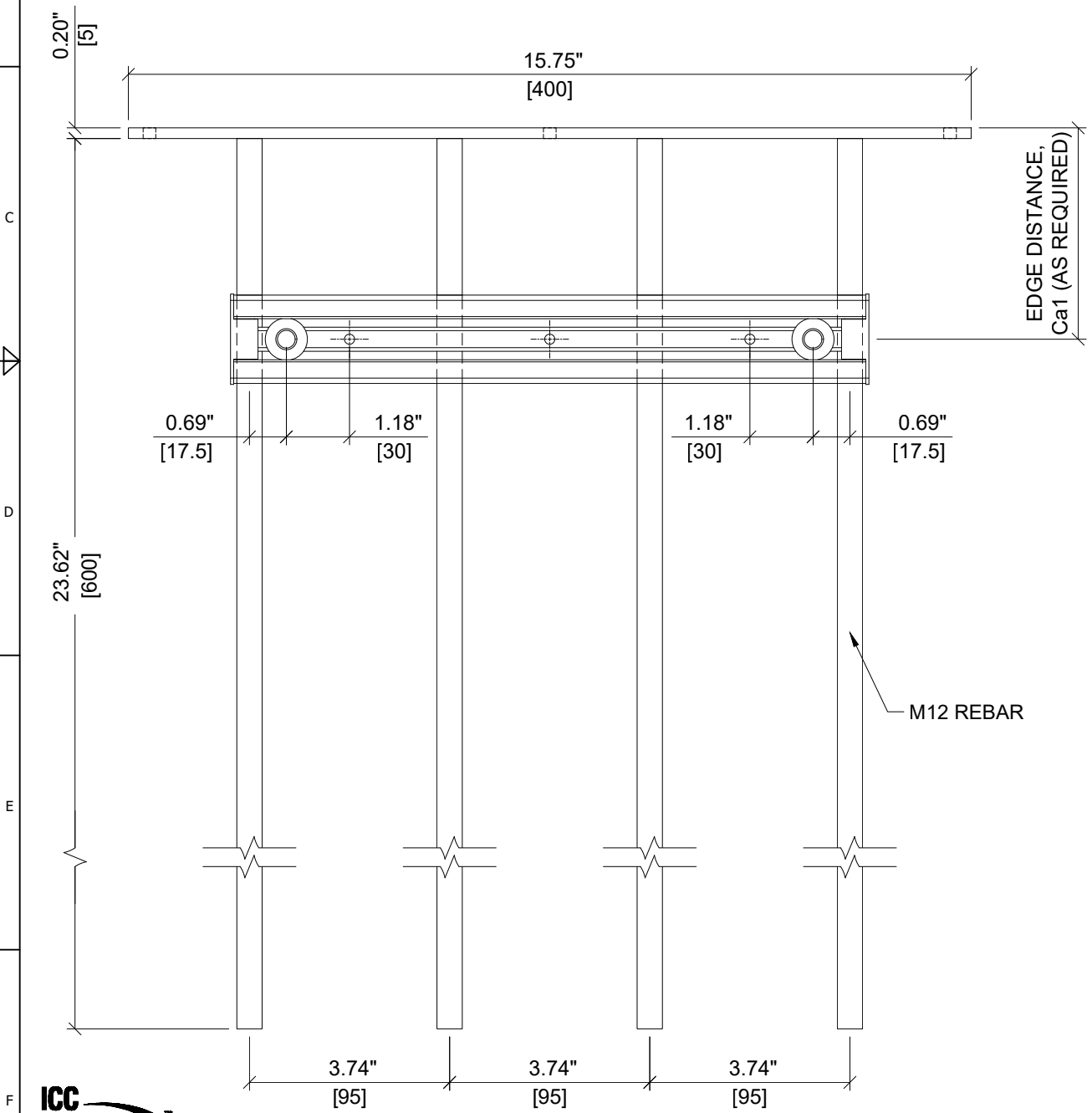


ELEVATION VIEW

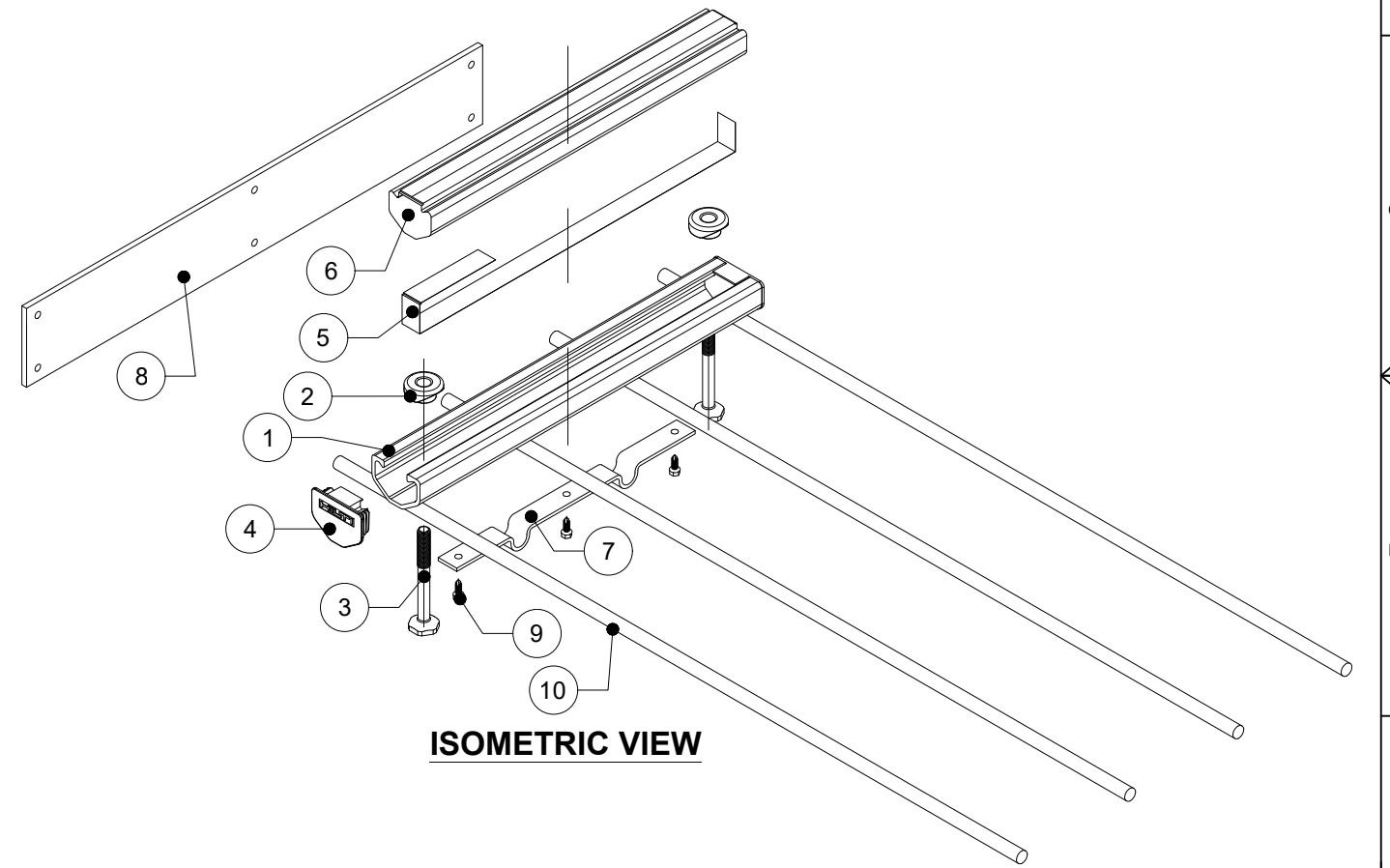


SECTION A-A'

ITEM	DESCRIPTION	QUANTITY
1	CHANNEL PROFILE	1
2	RIVET CONNECTION	2
3	ROUNDED HEADED ANCHOR	2
4	END CAP	2
5	TEAR OUT BAND	1
6	FILLER FOAM	1
7	STEEL STRAP	1
8	STEEL PLATE	1
9	SELF DRILL SCREW	3
10	M12 REBAR	4



PLAN VIEW



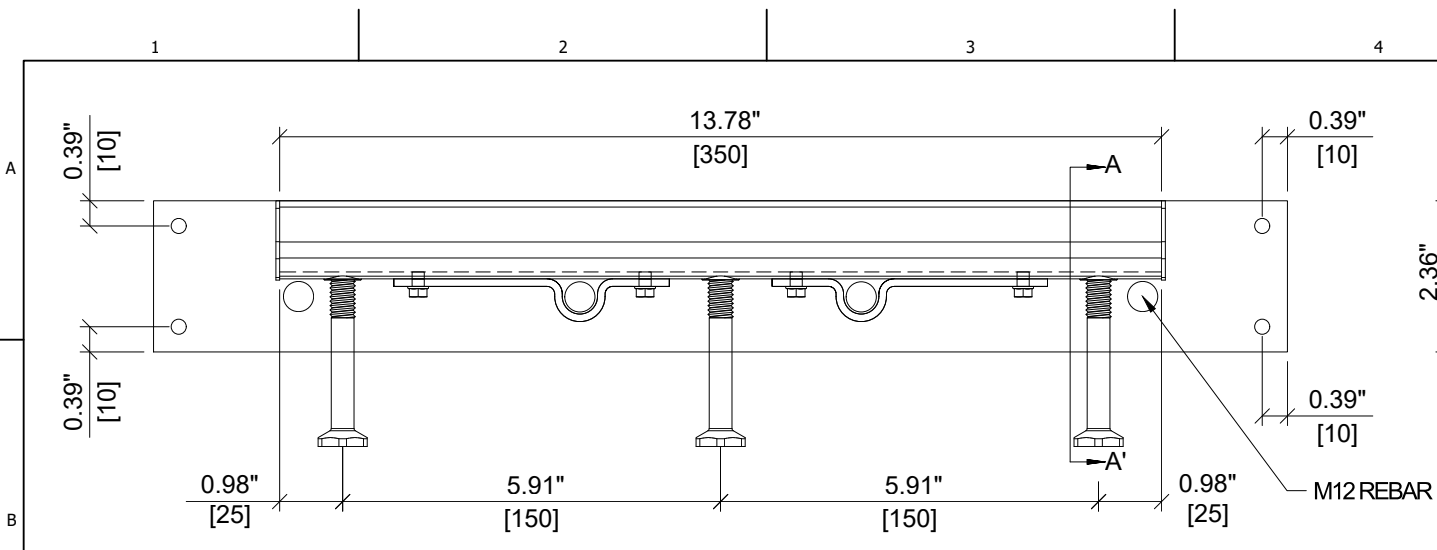
ISOMETRIC VIEW

Notes:
 1. HAC IS NOT STRUCTURALLY CONNECTED TO STEEL PLATE OR REBAR.
 2. ICC APPROVAL APPLIES TO HILTI ANCHOR CHANNEL COMPONENT.
 3. ITEM NUMBER VARIES ACCORDING TO THE REQUIRED EDGE DISTANCE. PLEASE CONTACT HILTI TO VERIFY ITEM NUMBERS FOR REQUIRED EDGE DISTANCES.

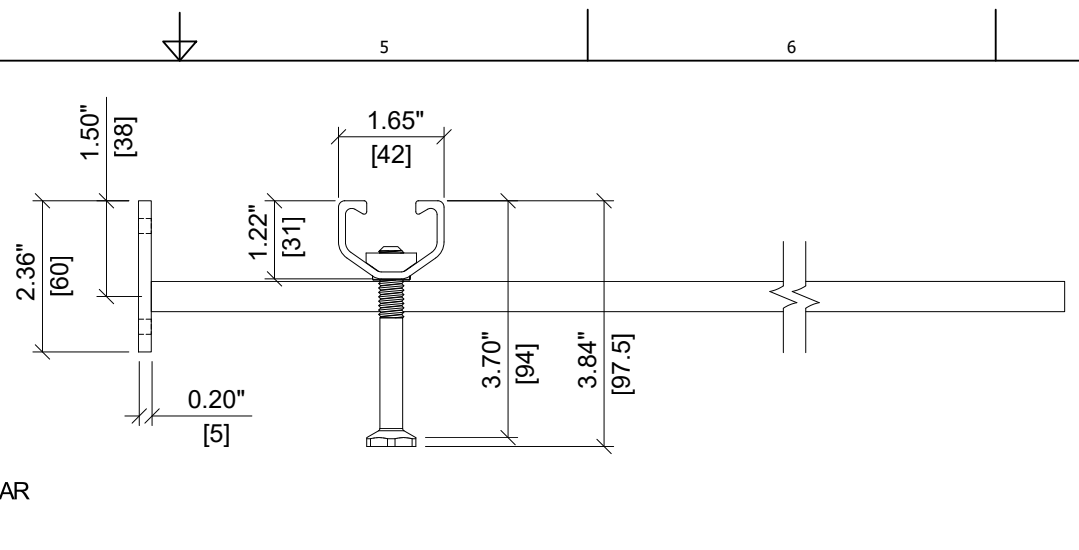


HILTI

ITEM NUMBER: VARIES³	CHANNEL LIP: SMOOTH
ITEM DESCRIPTION: HAC-50 94/300 F EDGE	

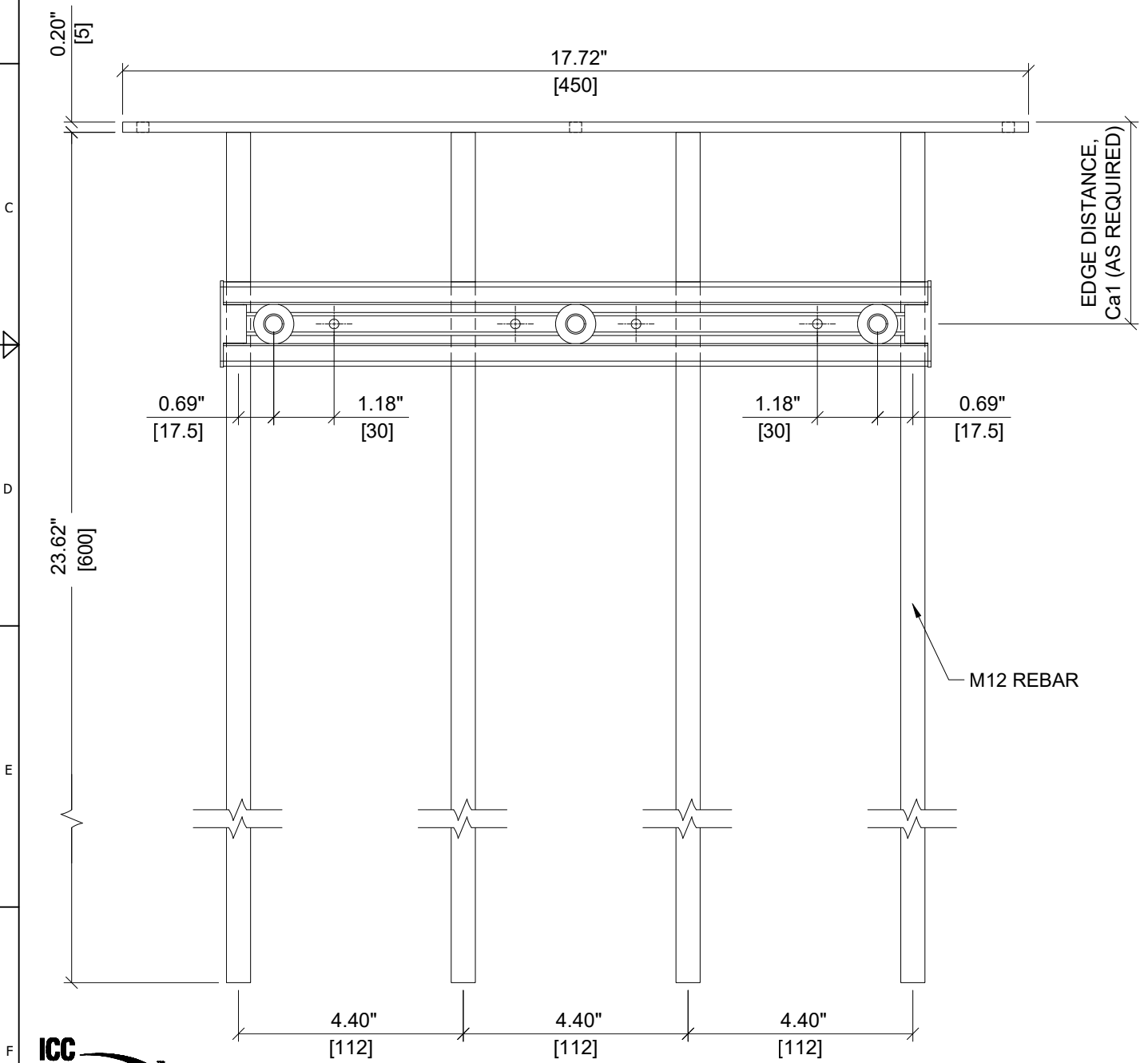


ELEVATION VIEW

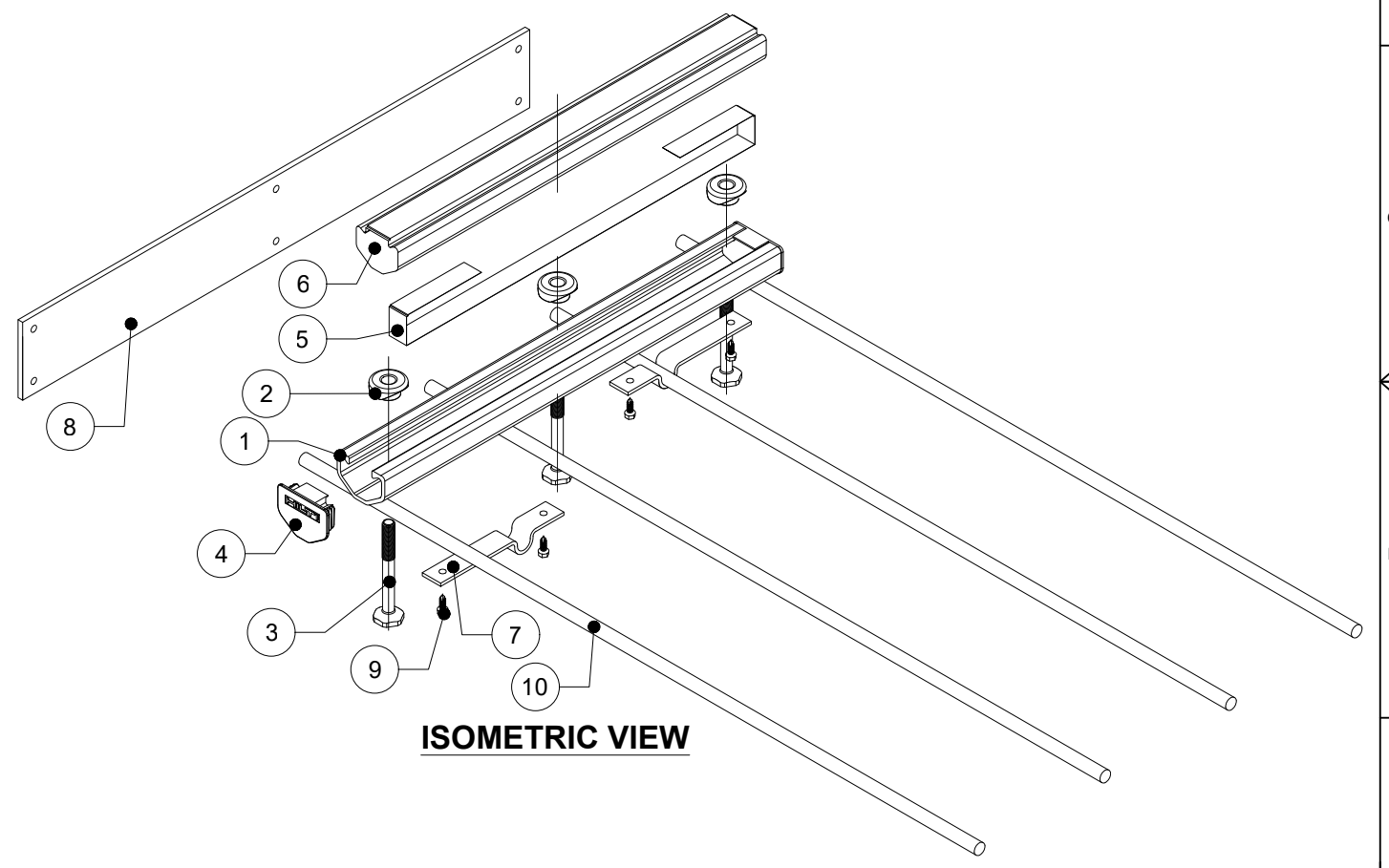


SECTION A-A'

ITEM	DESCRIPTION	QUANTITY
1	CHANNEL PROFILE	1
2	RIVET CONNECTION	3
3	ROUNDED HEADED ANCHOR	3
4	END CAP	2
5	TEAR OUT BAND	1
6	FILLER FOAM	1
7	STEEL STRAP	2
8	STEEL PLATE	1
9	SELF DRILL SCREW	4
10	M12 REBAR	4



PLAN VIEW



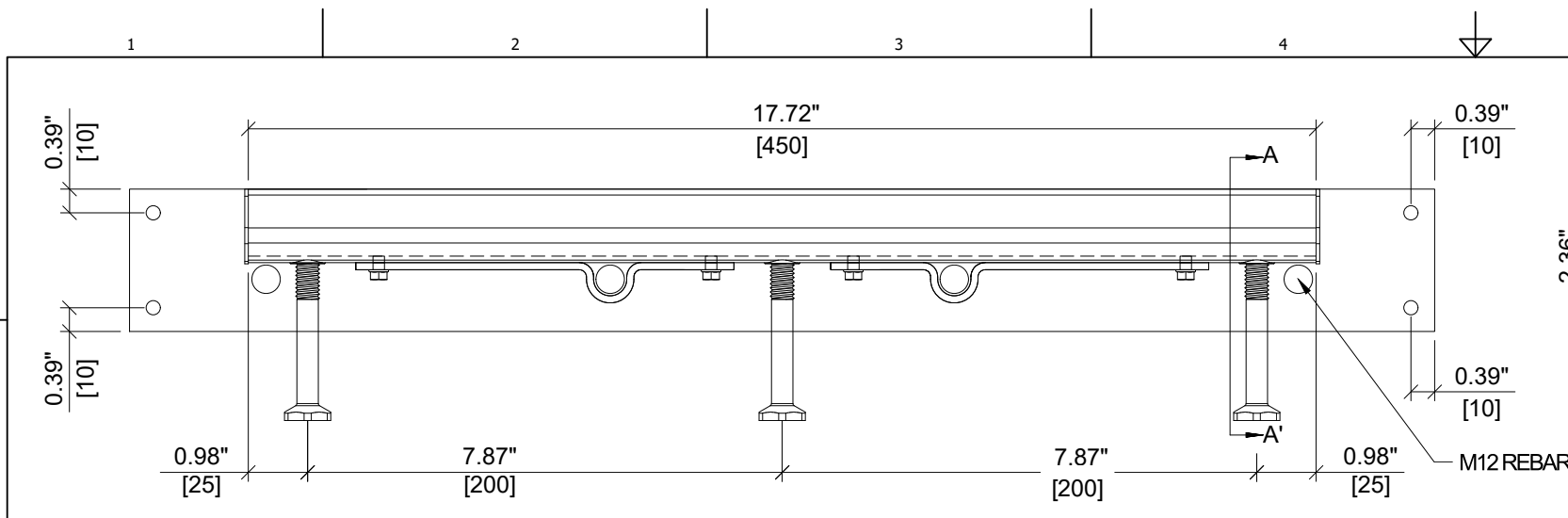
ISOMETRIC VIEW

Notes:
 1. HAC IS NOT STRUCTURALLY CONNECTED TO STEEL PLATE OR REBAR.
 2. ICC APPROVAL APPLIES TO HILTI ANCHOR CHANNEL COMPONENT.
 3. ITEM NUMBER VARIES ACCORDING TO THE REQUIRED EDGE DISTANCE. PLEASE CONTACT HILTI TO VERIFY ITEM NUMBERS FOR REQUIRED EDGE DISTANCES.

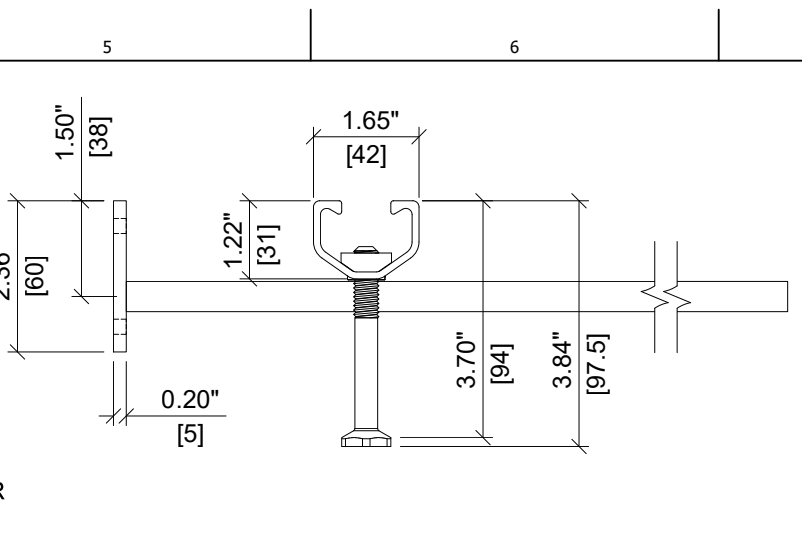


HILTI

ITEM NUMBER: <div style="font-size: 24px; font-weight: bold;">VARIES³</div>	CHANNEL LIP: <div style="font-size: 24px; font-weight: bold;">SMOOTH</div>
ITEM DESCRIPTION: <div style="font-size: 18px; font-weight: bold; text-align: center;">HAC-50 94/350 F EDGE</div>	

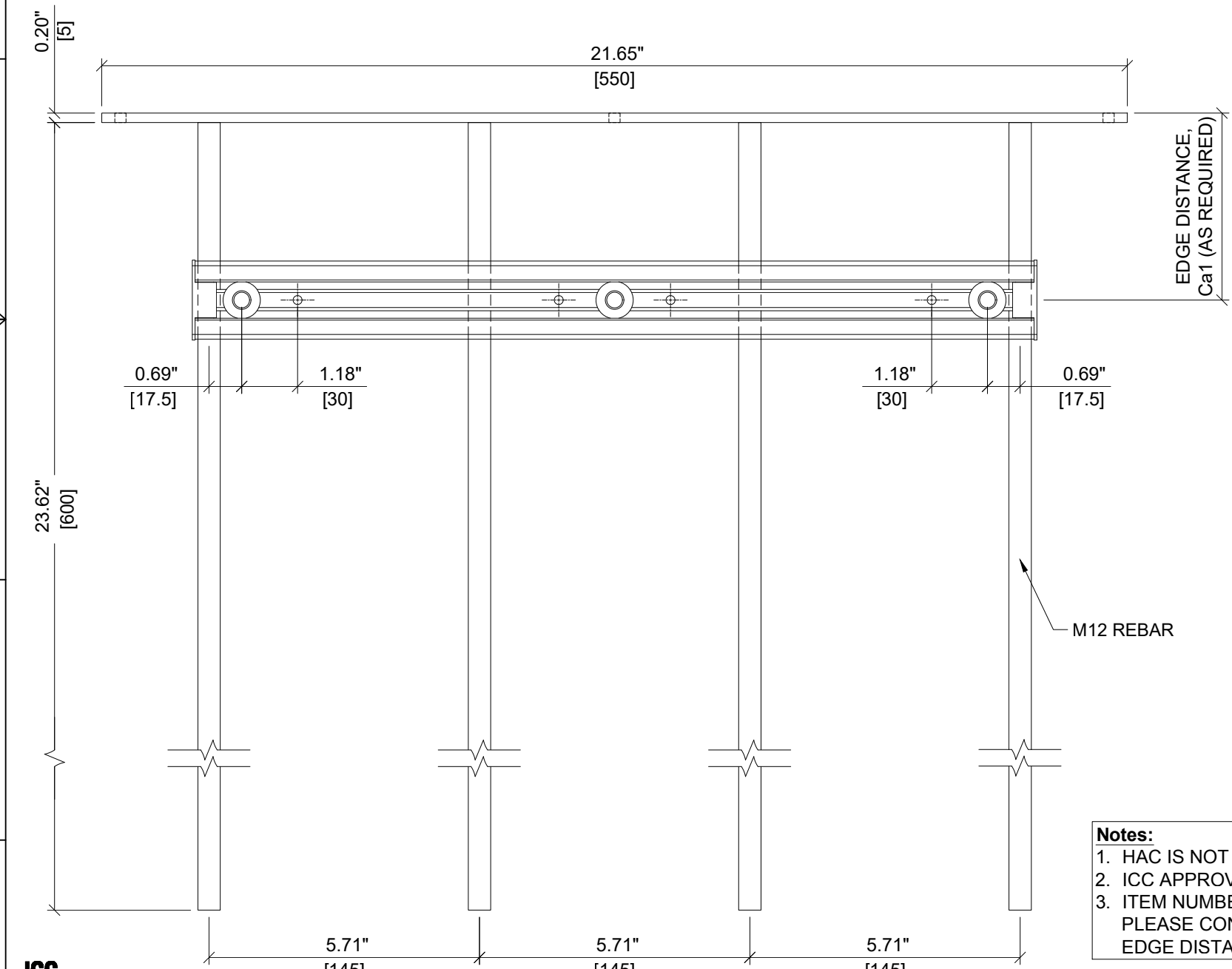


ELEVATION VIEW

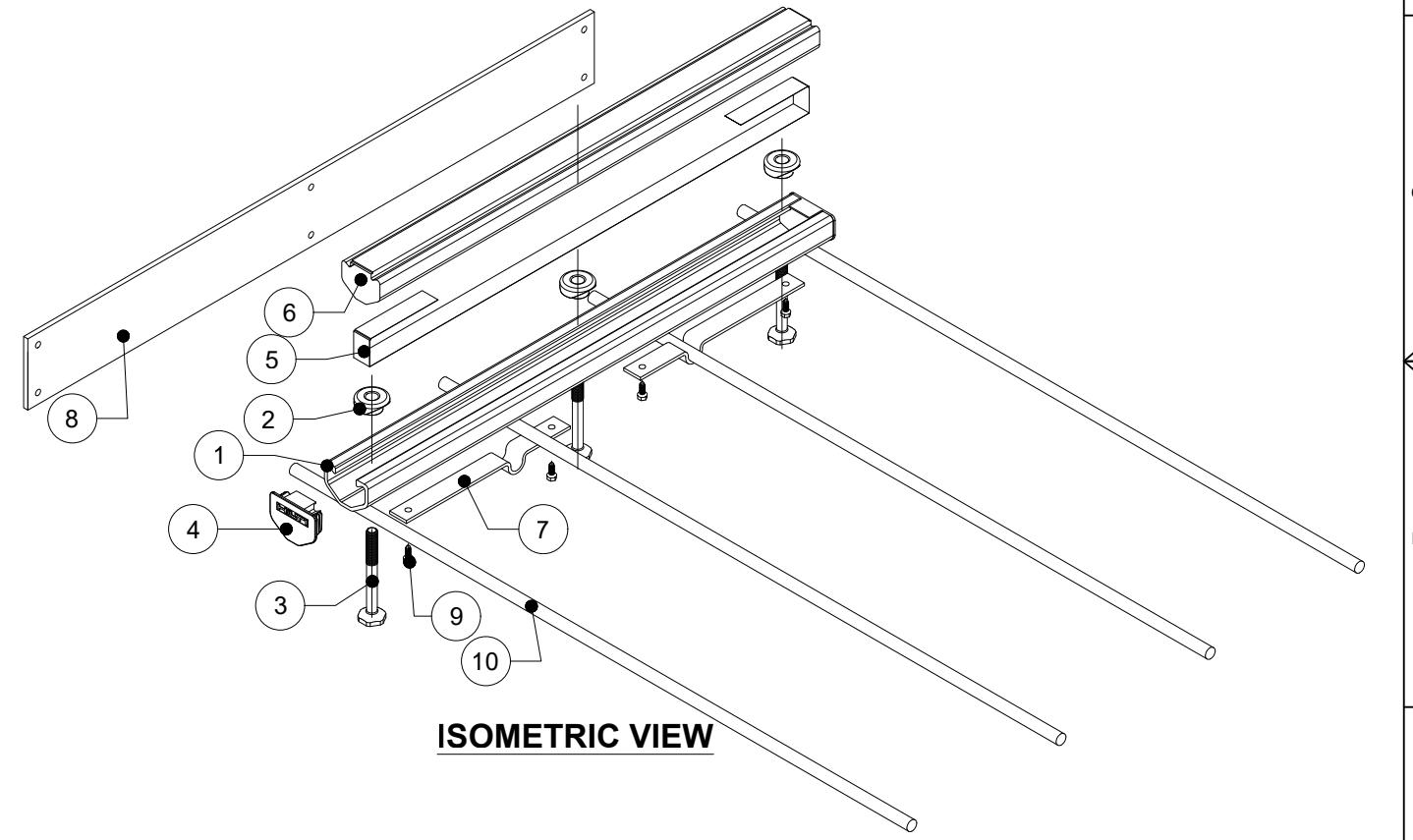


SECTION A-A'

ITEM	DESCRIPTION	QUANTITY
1	CHANNEL PROFILE	1
2	RIVET CONNECTION	3
3	ROUNDED HEADED ANCHOR	3
4	END CAP	2
5	TEAR OUT BAND	1
6	FILLER FOAM	1
7	STEEL STRAP	2
8	STEEL PLATE	1
9	SELF DRILL SCREW	4
10	M12 REBAR	4



PLAN VIEW



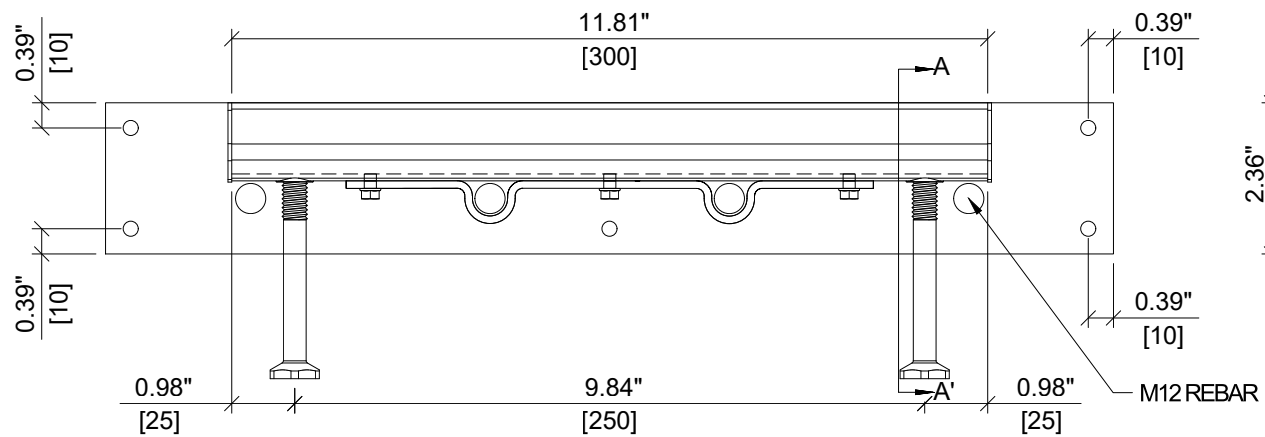
ISOMETRIC VIEW

Notes:
 1. HAC IS NOT STRUCTURALLY CONNECTED TO STEEL PLATE OR REBAR.
 2. ICC APPROVAL APPLIES TO HILTI ANCHOR CHANNEL COMPONENT.
 3. ITEM NUMBER VARIES ACCORDING TO THE REQUIRED EDGE DISTANCE. PLEASE CONTACT HILTI TO VERIFY ITEM NUMBERS FOR REQUIRED EDGE DISTANCES.

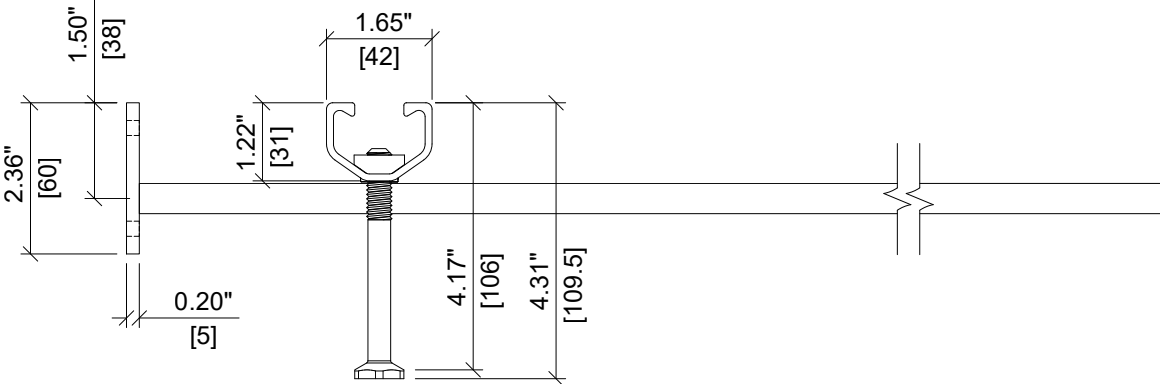


HILTI

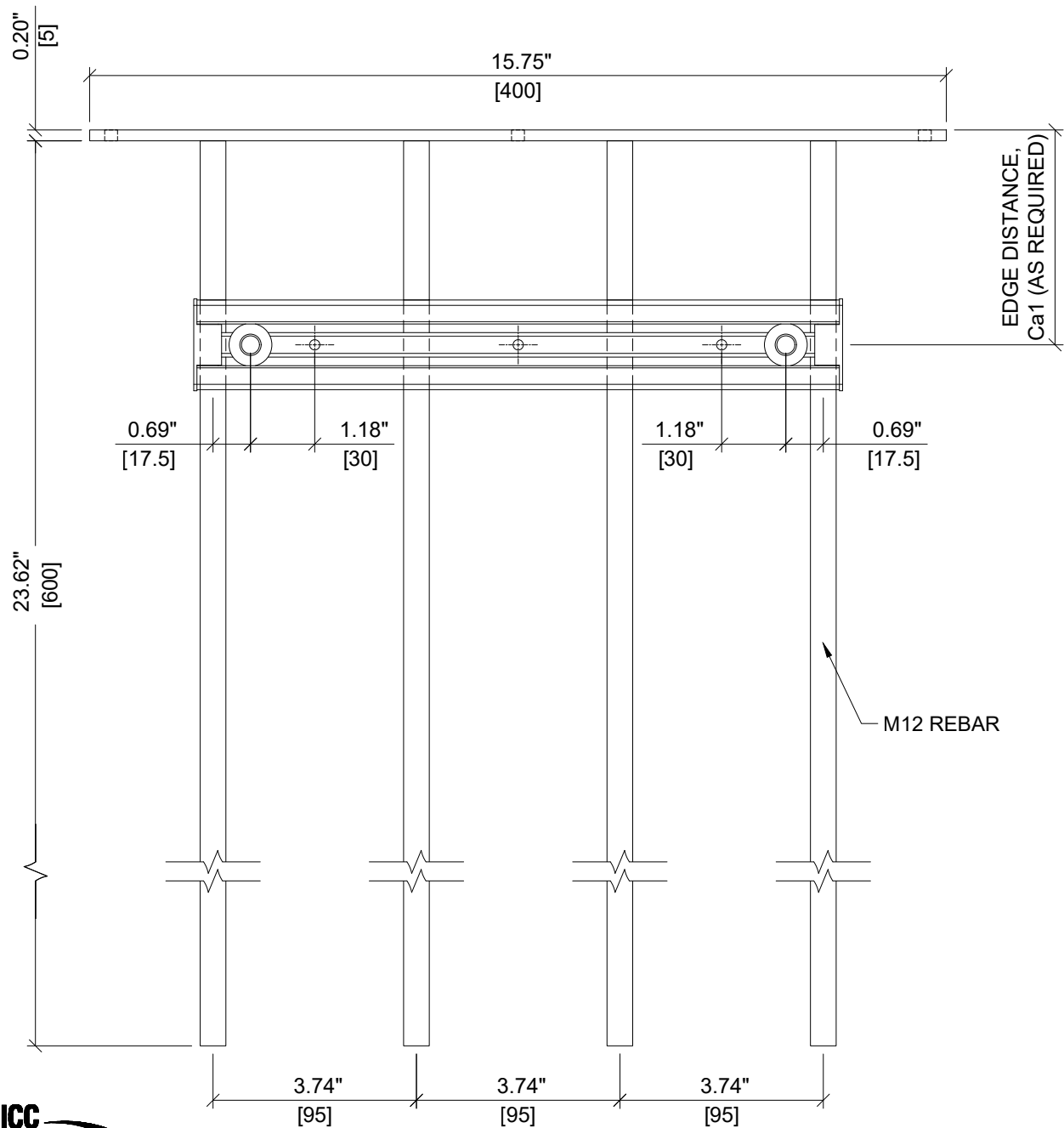
ITEM NUMBER: <p style="font-size: 18px; font-weight: bold;">VARIES³</p>	CHANNEL LIP: <p style="font-size: 18px; font-weight: bold;">SMOOTH</p>
ITEM DESCRIPTION: <p style="font-size: 16px; font-weight: bold;">HAC-50 94/450 F EDGE</p>	



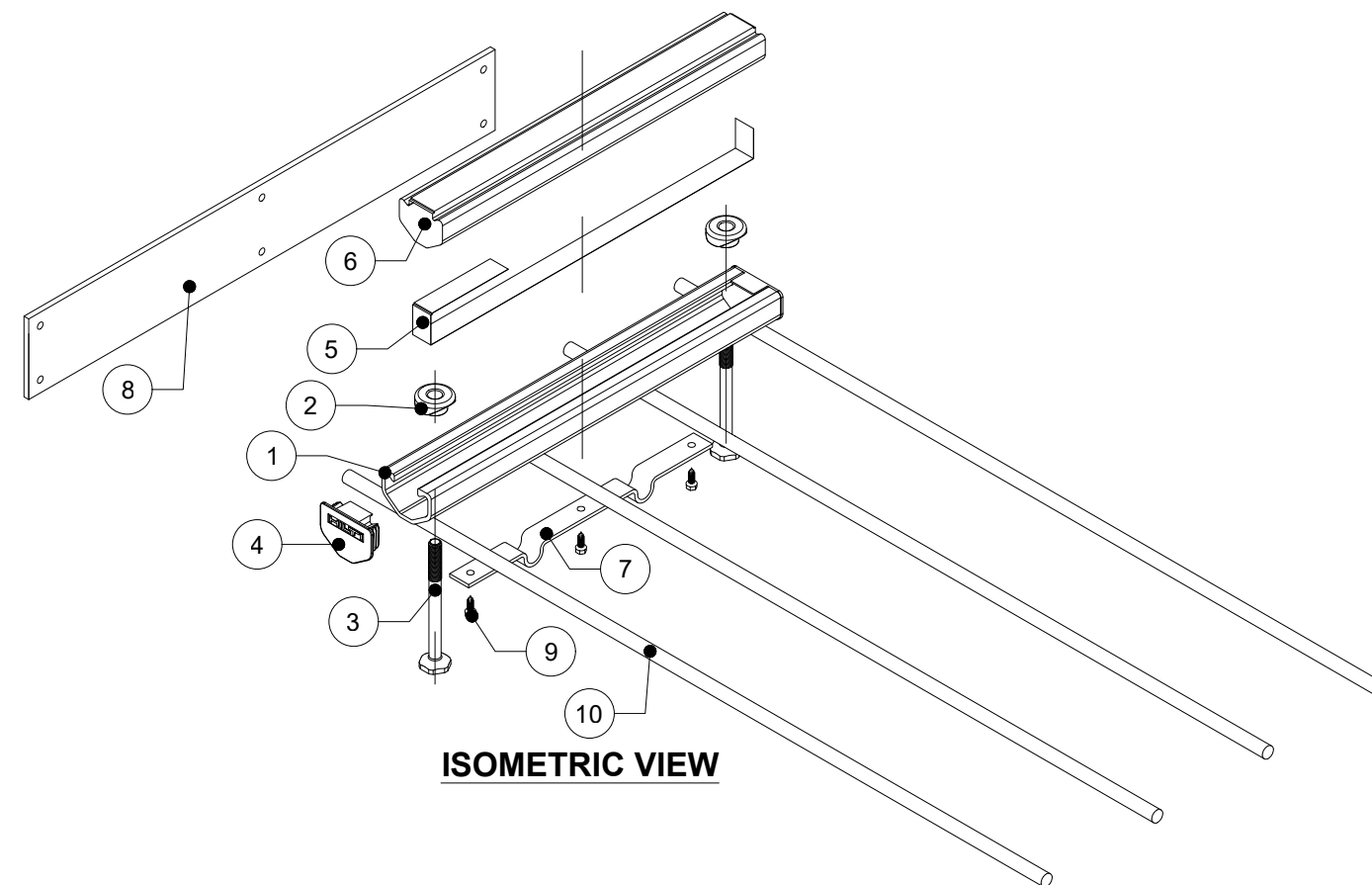
ELEVATION VIEW



SECTION A-A'



PLAN VIEW



ISOMETRIC VIEW

ITEM	DESCRIPTION	QUANTITY
1	CHANNEL PROFILE	1
2	RIVET CONNECTION	2
3	ROUNDED HEADED ANCHOR	2
4	END CAP	2
5	TEAR OUT BAND	1
6	FILLER FOAM	1
7	STEEL STRAP	1
8	STEEL PLATE	1
9	SELF DRILL SCREW	3
10	M12 REBAR	4

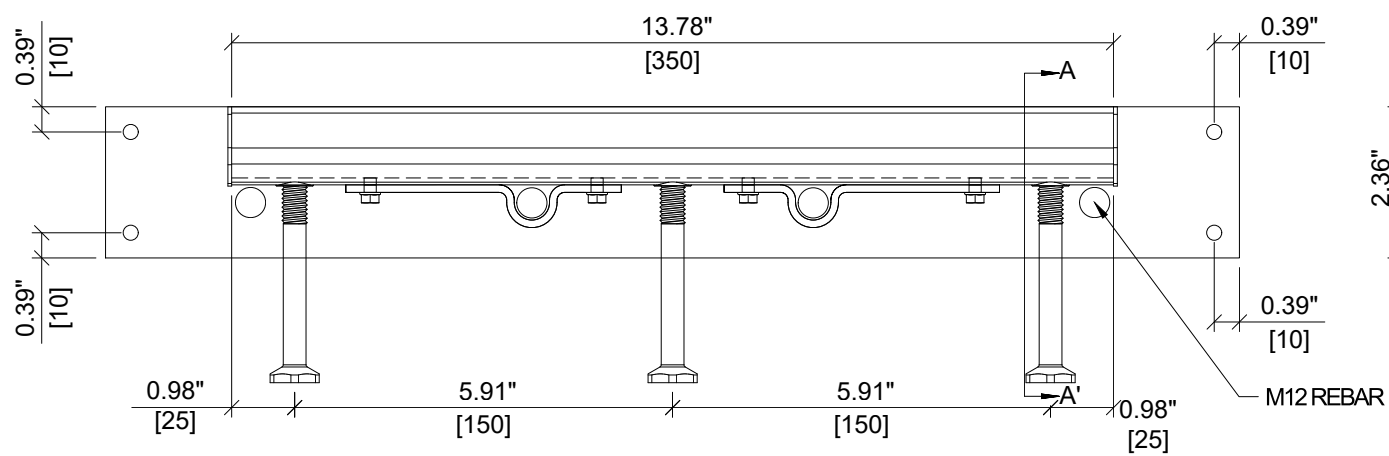
Notes:

- HAC IS NOT STRUCTURALLY CONNECTED TO STEEL PLATE OR REBAR.
- ICC APPROVAL APPLIES TO HILTI ANCHOR CHANNEL COMPONENT.
- ITEM NUMBER VARIES ACCORDING TO THE REQUIRED EDGE DISTANCE. PLEASE CONTACT HILTI TO VERIFY ITEM NUMBERS FOR REQUIRED EDGE DISTANCES.

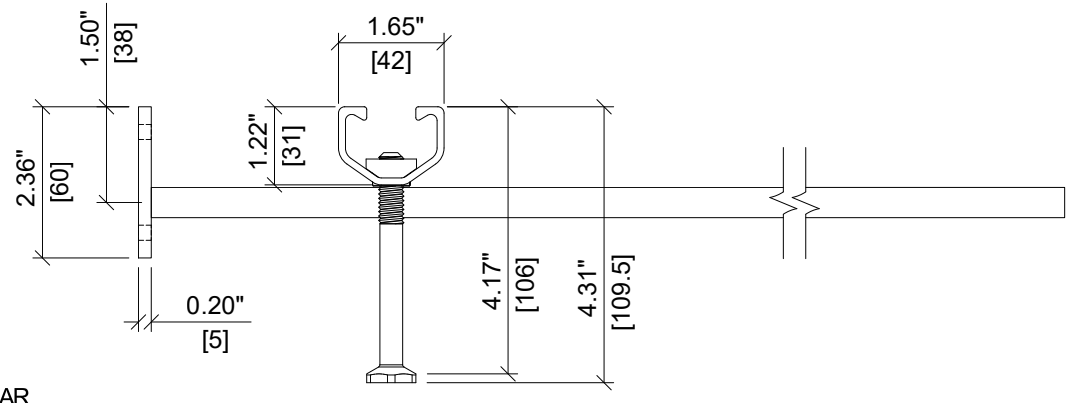
HILTI

ITEM NUMBER: <div style="font-size: 24px; font-weight: bold; text-align: center;">VARIES³</div>	CHANNEL LIP: <div style="font-size: 24px; font-weight: bold; text-align: center;">SMOOTH</div> <div style="text-align: center; margin-top: 5px;"> </div>
ITEM DESCRIPTION: <div style="font-size: 18px; font-weight: bold; text-align: center;">HAC-50 106/300 F EDGE</div>	



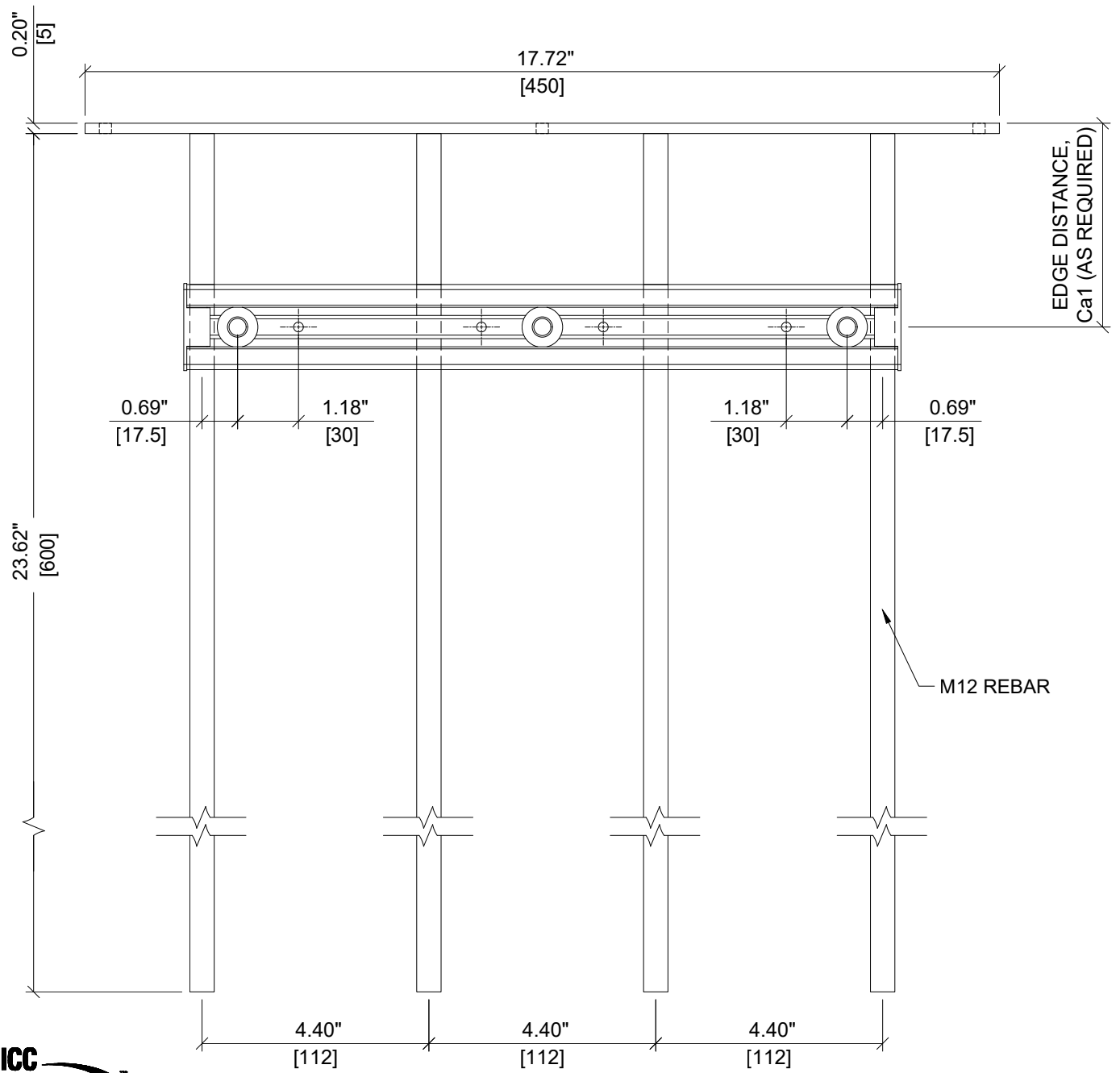


ELEVATION VIEW

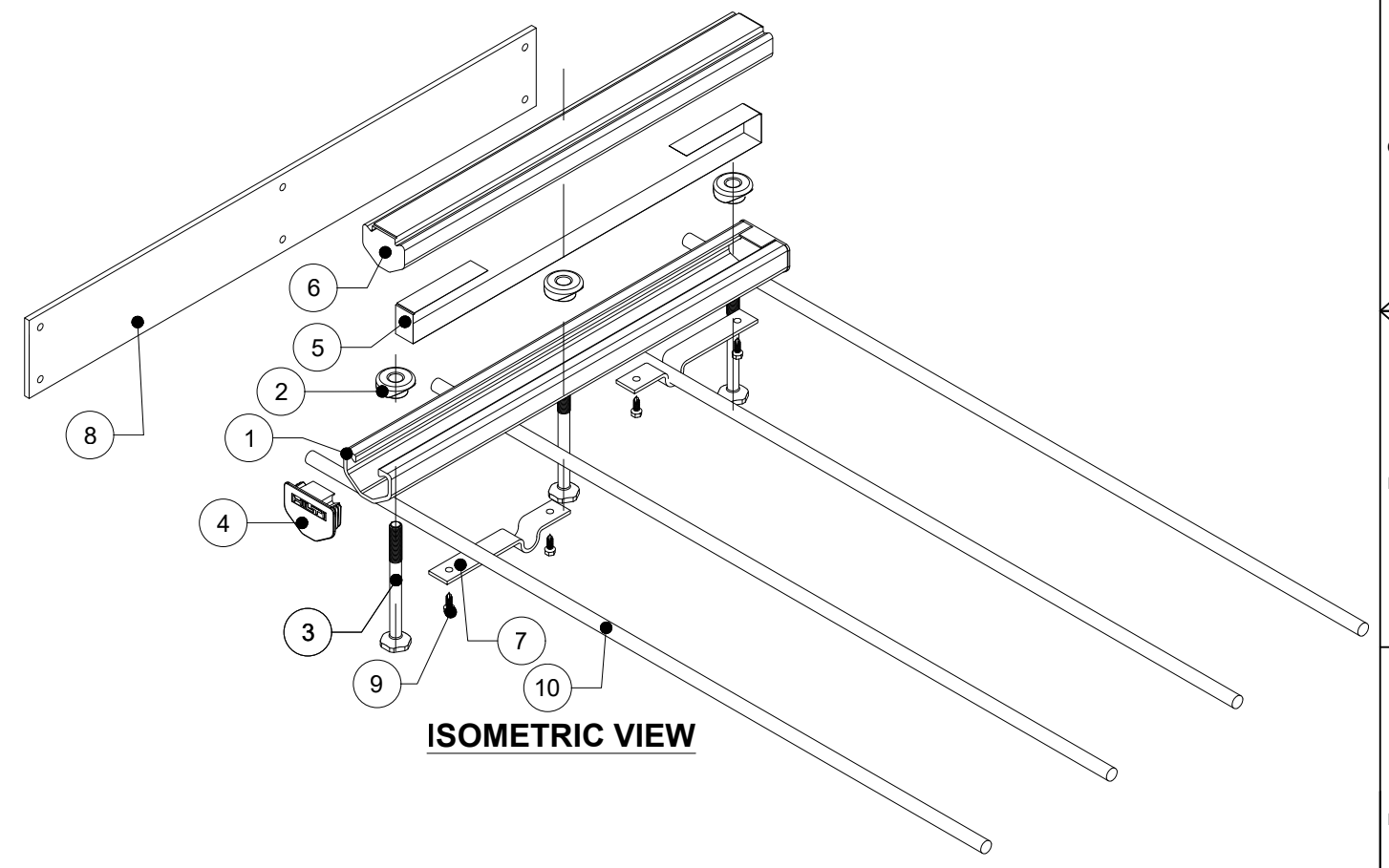


SECTION A-A'

ITEM	DESCRIPTION	QUANTITY
1	CHANNEL PROFILE	1
2	RIVET CONNECTION	3
3	ROUNDED HEADED ANCHOR	3
4	END CAP	2
5	TEAR OUT BAND	1
6	FILLER FOAM	1
7	STEEL STRAP	2
8	STEEL PLATE	1
9	SELF DRILL SCREW	4
10	M12 REBAR	4



PLAN VIEW



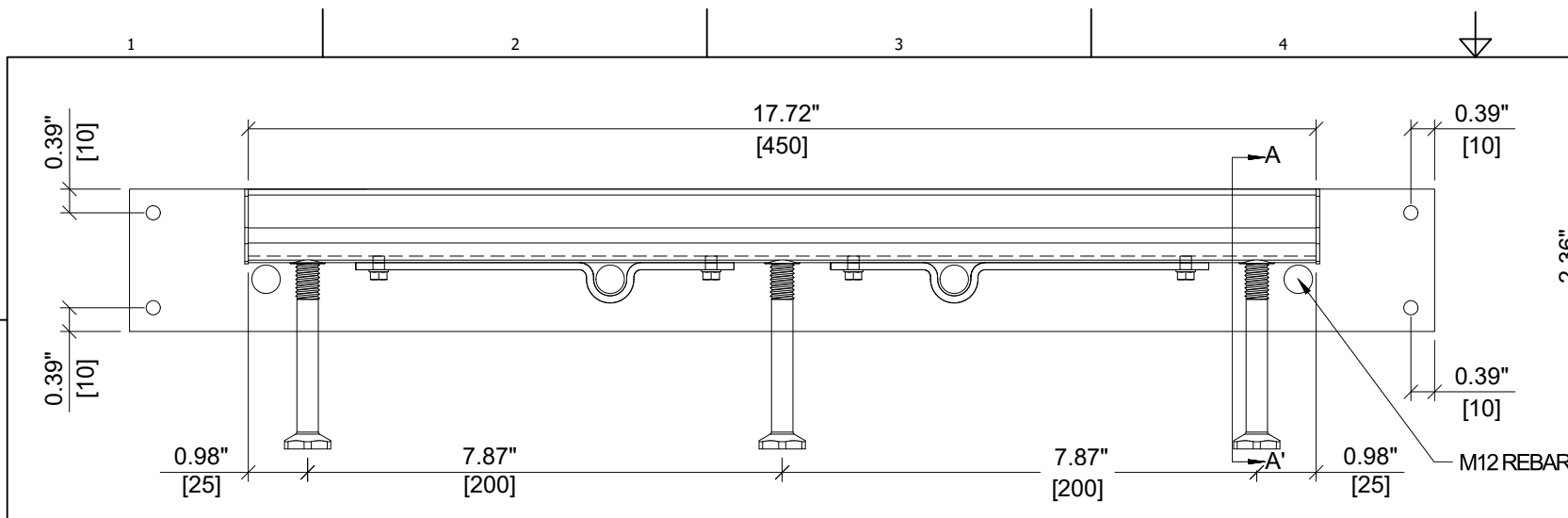
ISOMETRIC VIEW

Notes:
 1. HAC IS NOT STRUCTURALLY CONNECTED TO STEEL PLATE OR REBAR.
 2. ICC APPROVAL APPLIES TO HILTI ANCHOR CHANNEL COMPONENT.
 3. ITEM NUMBER VARIES ACCORDING TO THE REQUIRED EDGE DISTANCE. PLEASE CONTACT HILTI TO VERIFY ITEM NUMBERS FOR REQUIRED EDGE DISTANCES.

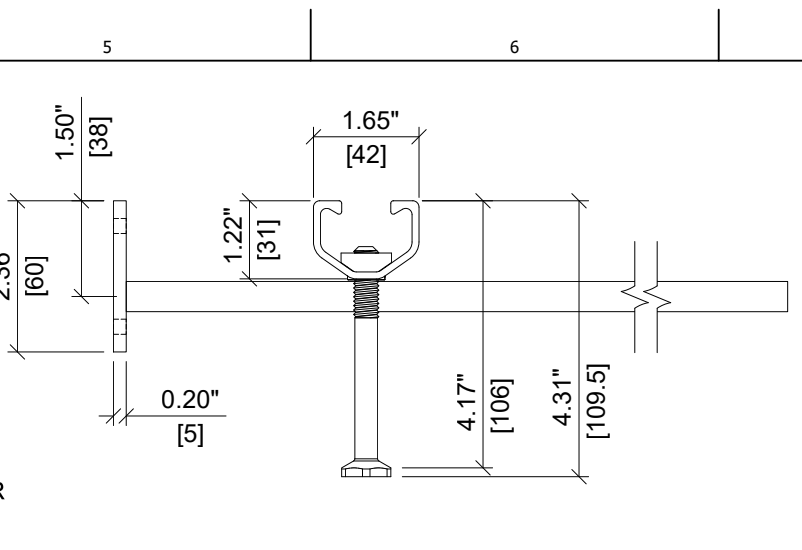


HILTI

ITEM NUMBER: VARIES³	CHANNEL LIP: SMOOTH
ITEM DESCRIPTION: HAC-50 106/350 F EDGE	

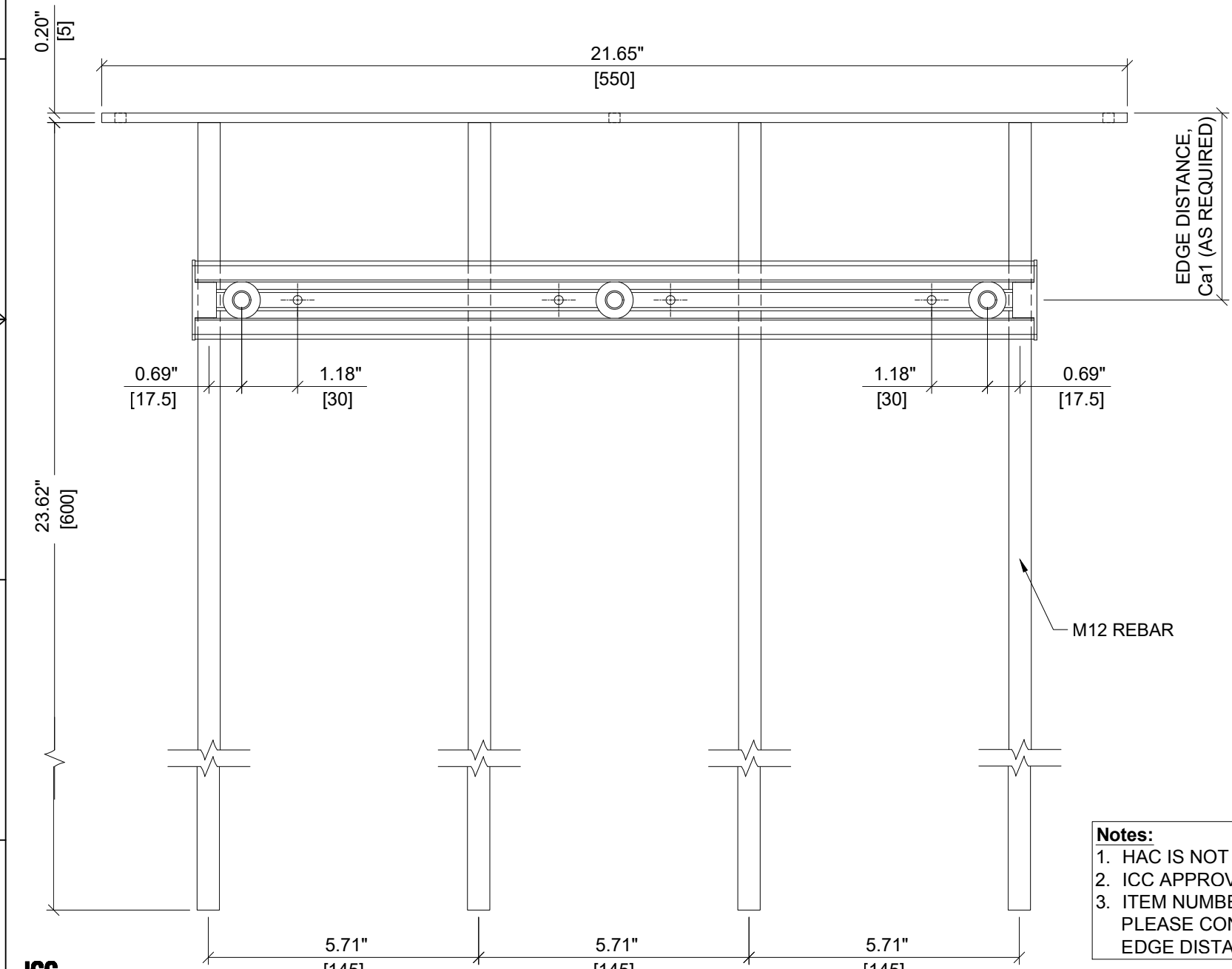


ELEVATION VIEW

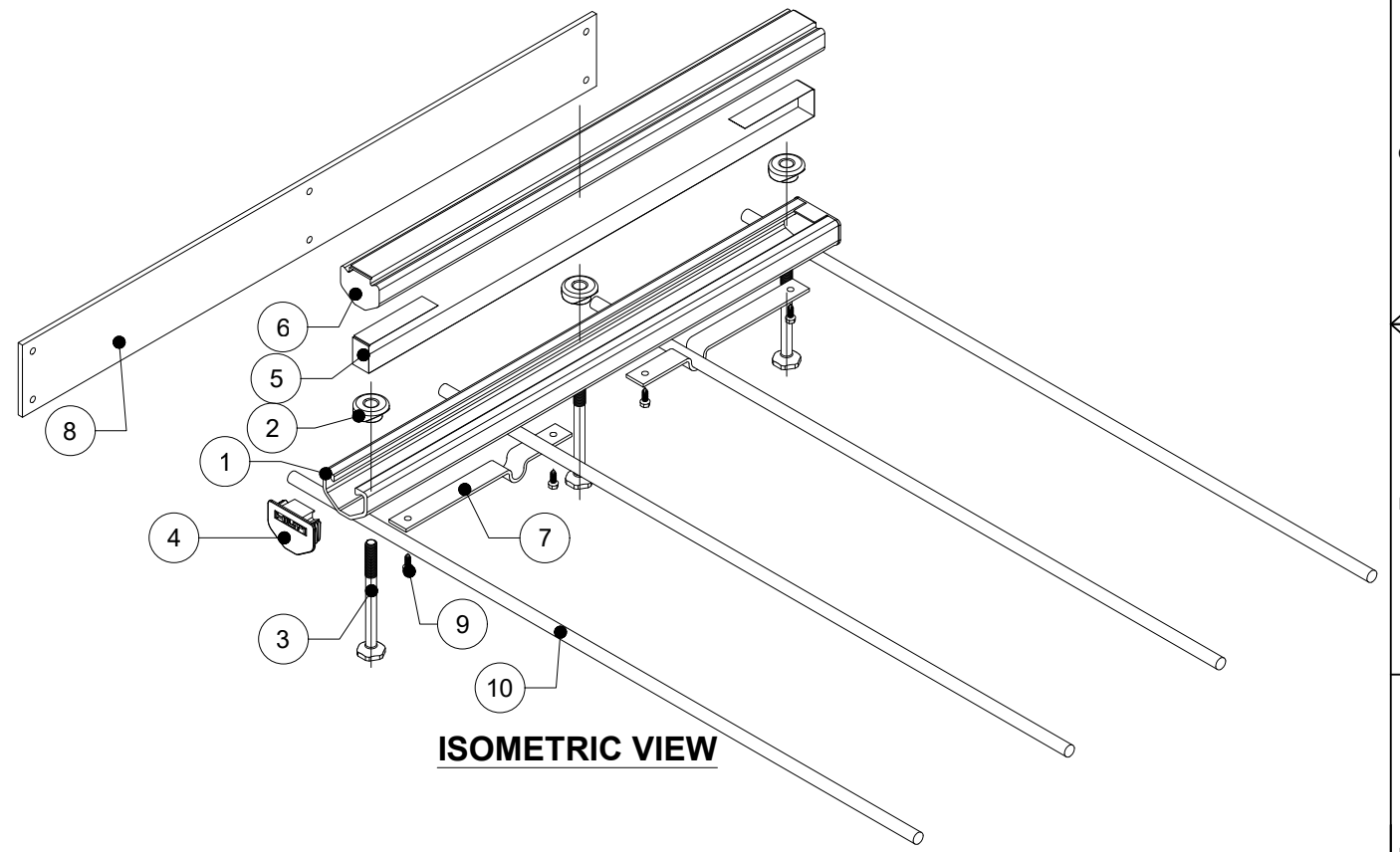


SECTION A-A'

ITEM	DESCRIPTION	QUANTITY
1	CHANNEL PROFILE	1
2	RIVET CONNECTION	3
3	ROUNDED HEADED ANCHOR	3
4	END CAP	2
5	TEAR OUT BAND	1
6	FILLER FOAM	1
7	STEEL STRAP	2
8	STEEL PLATE	1
9	SELF DRILL SCREW	4
10	M12 REBAR	4



PLAN VIEW



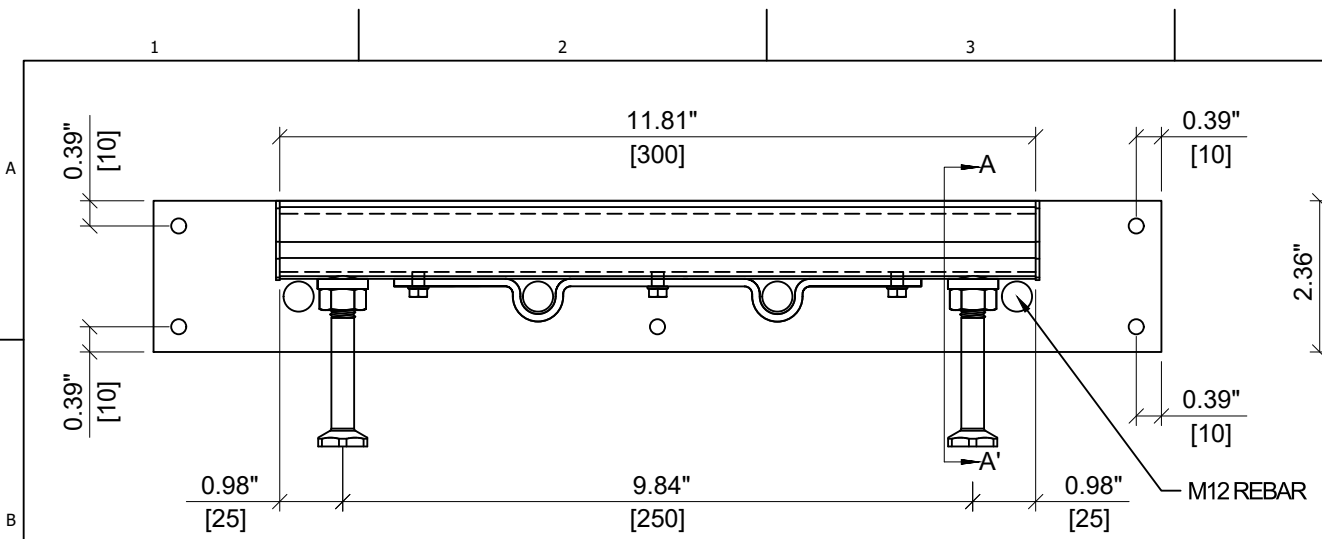
ISOMETRIC VIEW

Notes:
 1. HAC IS NOT STRUCTURALLY CONNECTED TO STEEL PLATE OR REBAR.
 2. ICC APPROVAL APPLIES TO HILTI ANCHOR CHANNEL COMPONENT.
 3. ITEM NUMBER VARIES ACCORDING TO THE REQUIRED EDGE DISTANCE. PLEASE CONTACT HILTI TO VERIFY ITEM NUMBERS FOR REQUIRED EDGE DISTANCES.

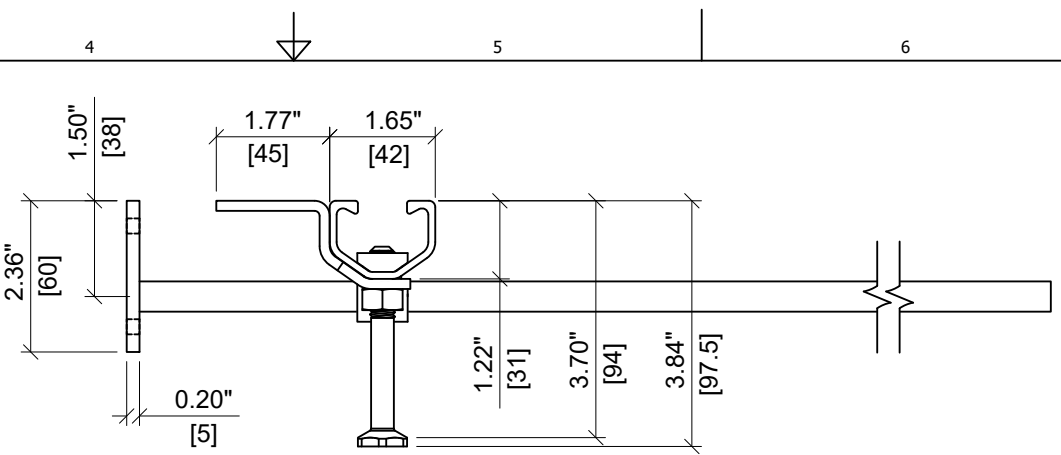


HILTI

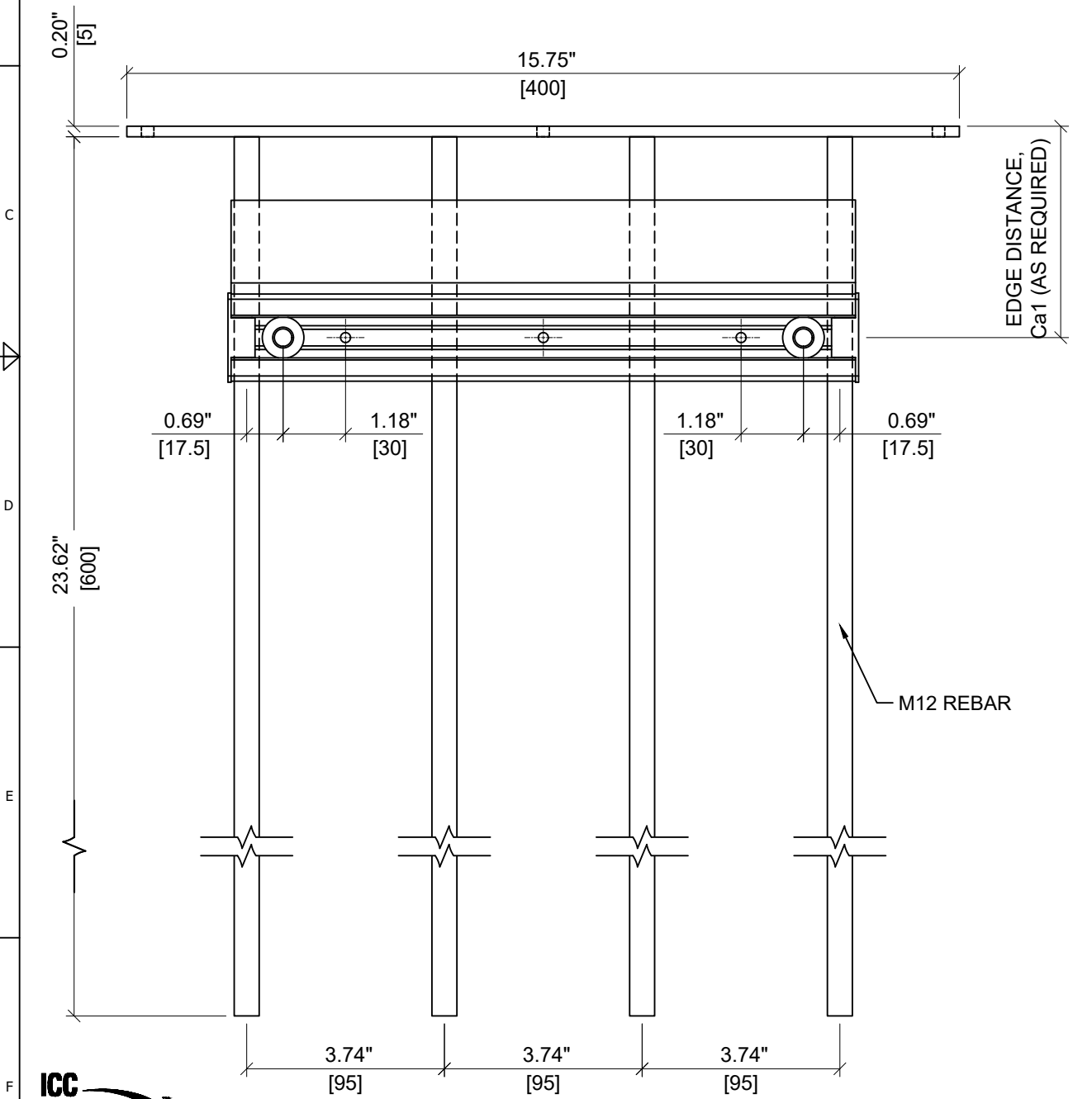
ITEM NUMBER: <div style="font-size: 24px; font-weight: bold; text-align: center;">VARIES³</div>	CHANNEL LIP: <div style="font-size: 24px; font-weight: bold; text-align: center;">SMOOTH</div>
ITEM DESCRIPTION: <div style="font-size: 18px; font-weight: bold; text-align: center;">HAC-50 106/450 F EDGE</div>	



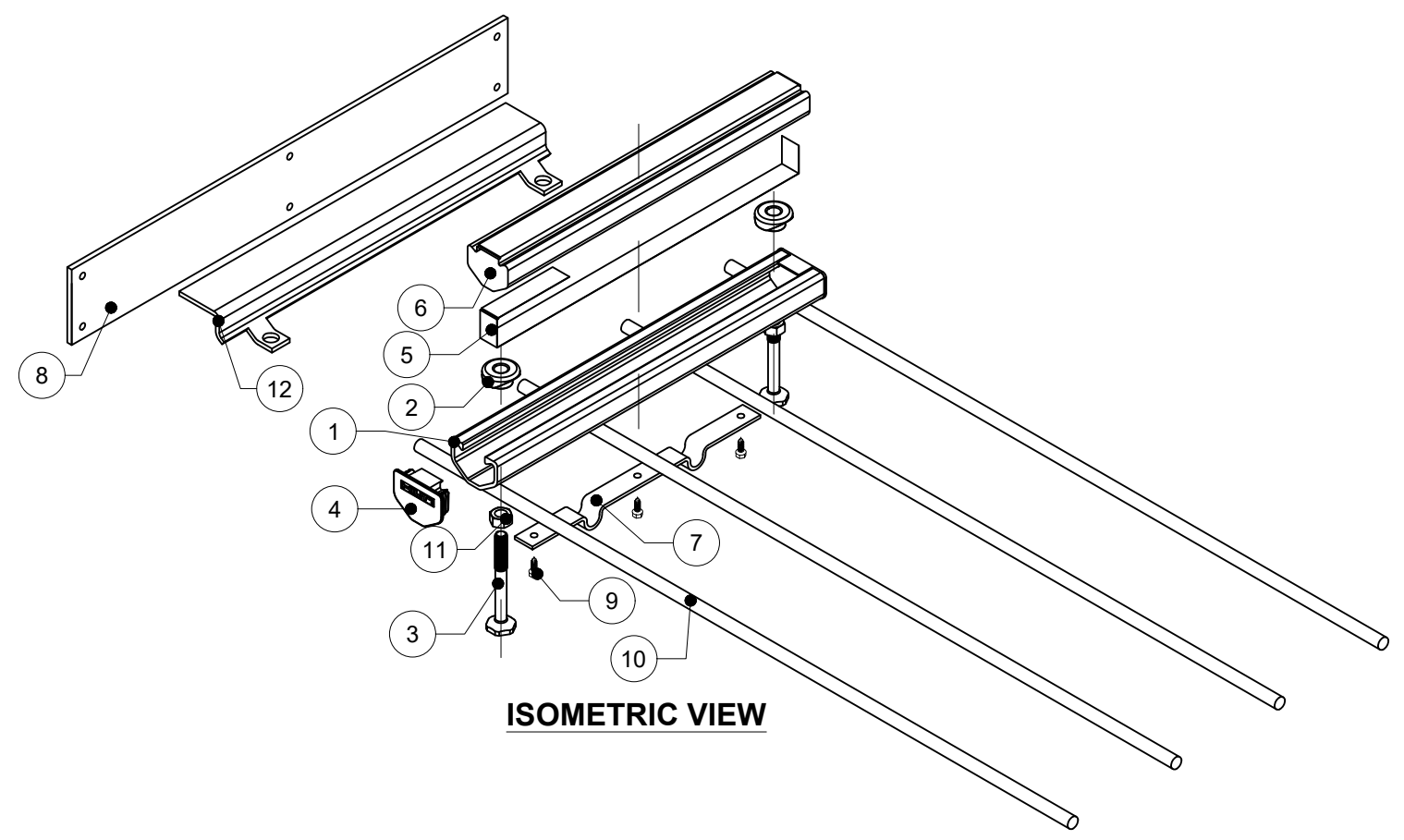
ELEVATION VIEW



SECTION A-A'




PLAN VIEW



ISOMETRIC VIEW

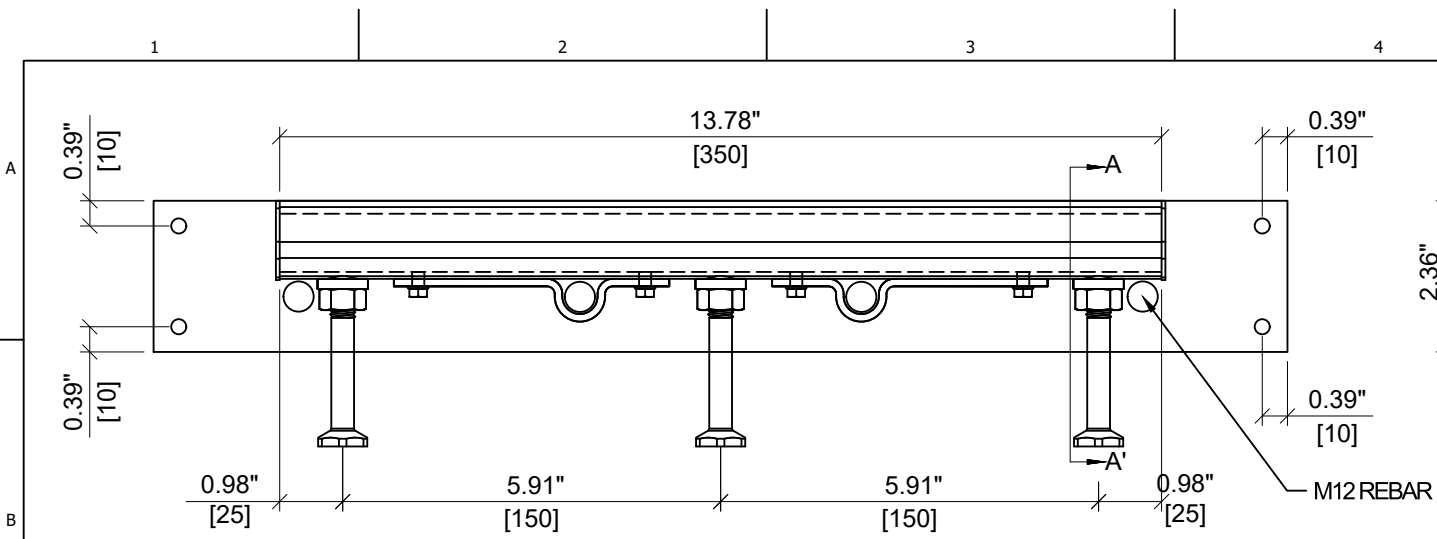
ITEM	DESCRIPTION	QUANTITY
1	CHANNEL PROFILE	1
2	RIVET CONNECTION	2
3	ROUNDED HEADED ANCHOR	2
4	END CAP	2
5	TEAR OUT BAND	1
6	FILLER FOAM	1
7	STEEL STRAP	1
8	STEEL PLATE	1
9	SELF DRILL SCREW	3
10	M12 REBAR	4
11	NUT	2
12	S BRACKET	1

Notes:
 1. HAC IS NOT STRUCTURALLY CONNECTED TO STEEL PLATE OR REBAR.
 2. ICC APPROVAL APPLIES TO HILTI ANCHOR CHANNEL COMPONENT.
 3. ITEM NUMBER VARIES ACCORDING TO THE REQUIRED EDGE DISTANCE. PLEASE CONTACT HILTI TO VERIFY ITEM NUMBERS FOR REQUIRED EDGE DISTANCES.

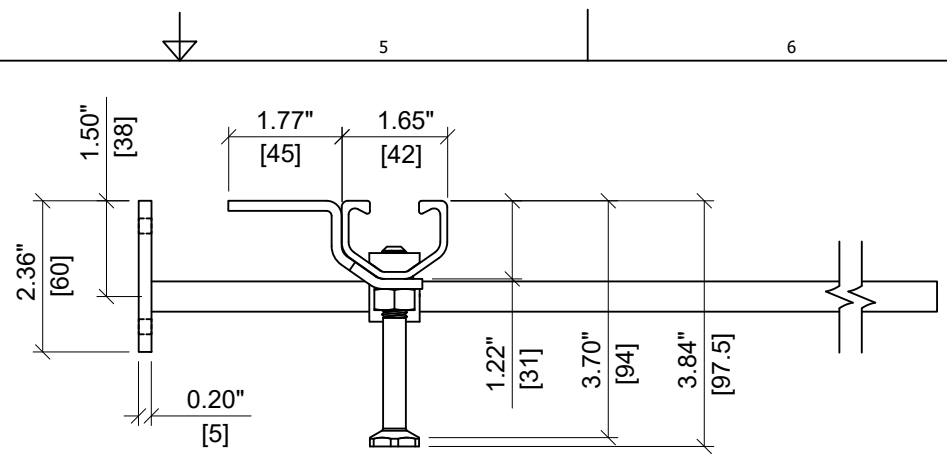


ITEM NUMBER: VARIES³	CHANNEL LIP: SMOOTH
ITEM DESCRIPTION: HAC-50 S 94/300 F EDGE	

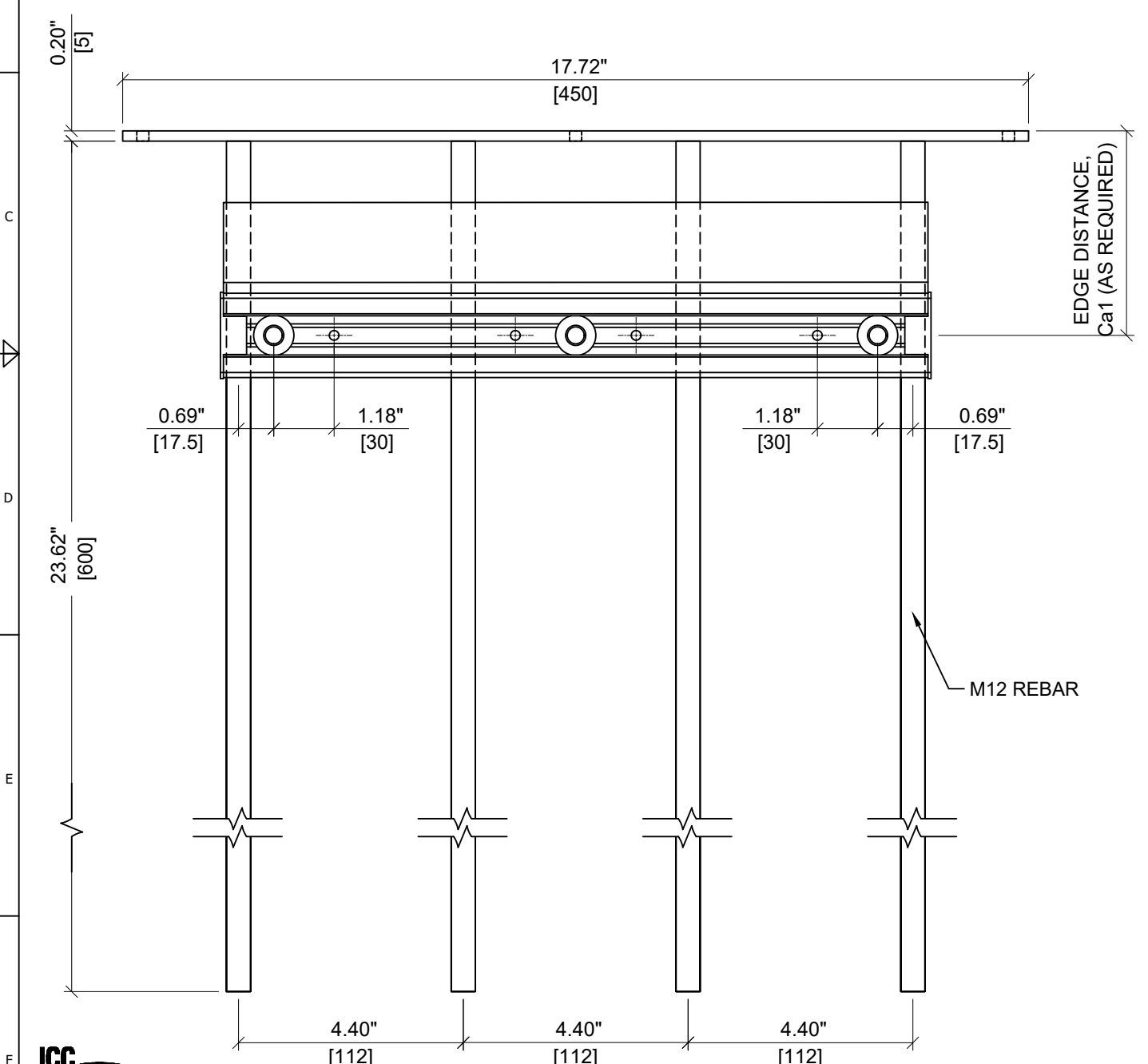




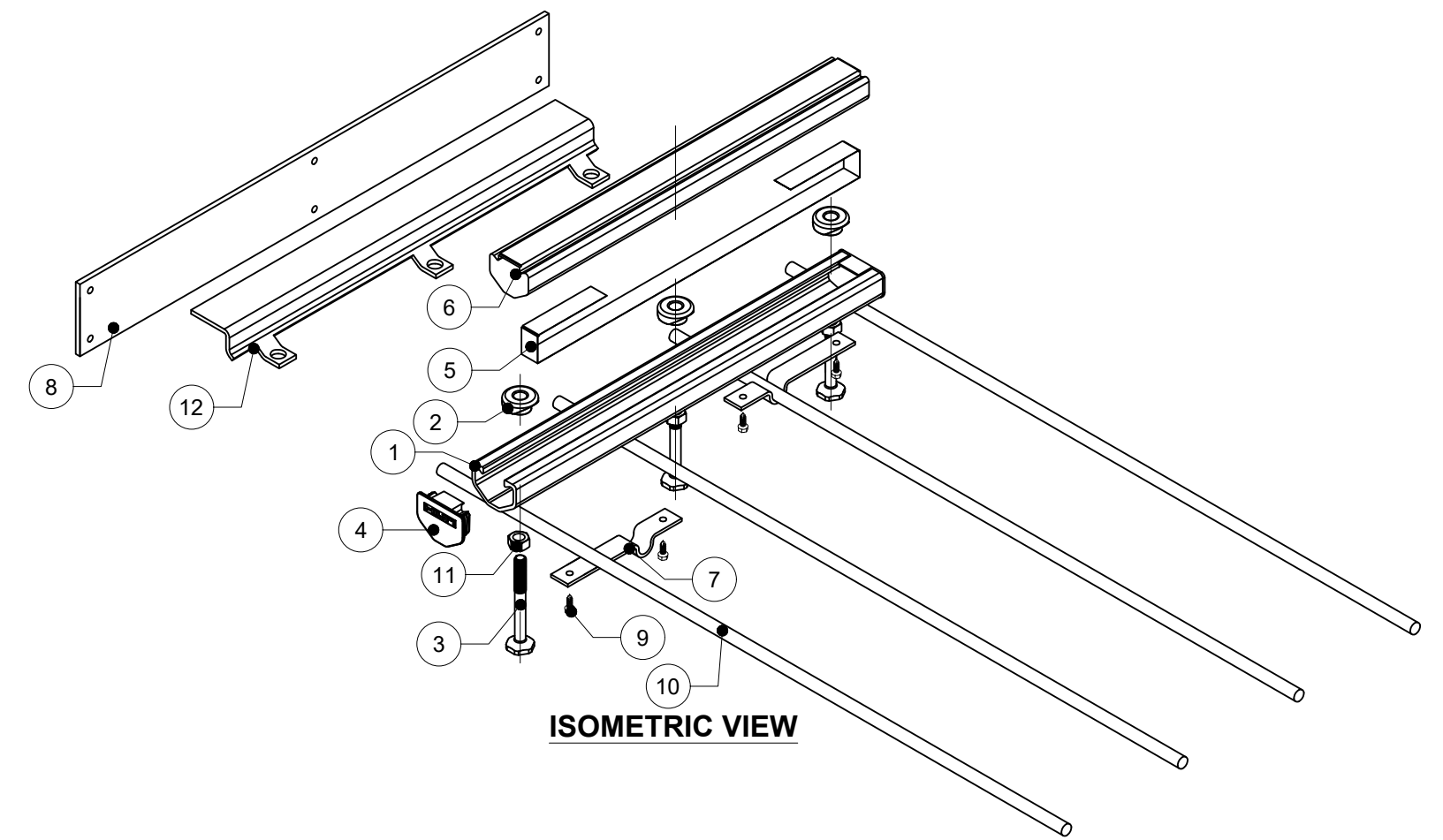
ELEVATION VIEW



SECTION A-A'



PLAN VIEW



ISOMETRIC VIEW

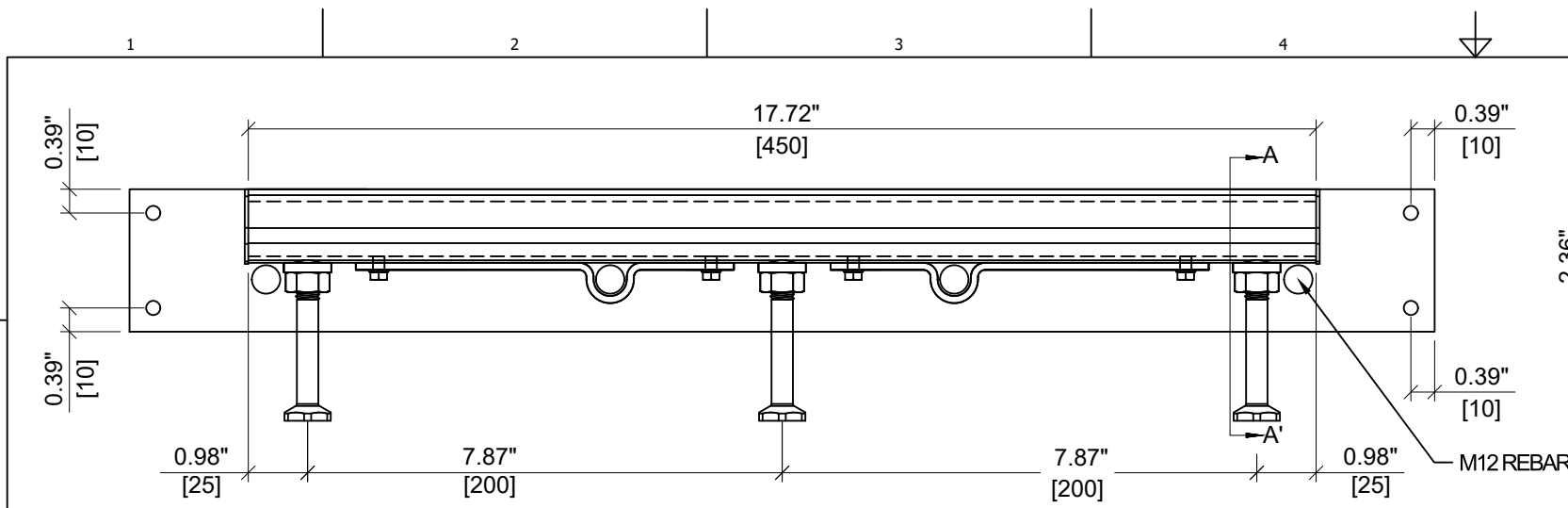
ITEM	DESCRIPTION	QUANTITY
1	CHANNEL PROFILE	1
2	RIVET CONNECTION	3
3	ROUNDED HEADED ANCHOR	3
4	END CAP	2
5	TEAR OUT BAND	1
6	FILLER FOAM	1
7	STEEL STRAP	2
8	STEEL PLATE	1
9	SELF DRILL SCREW	4
10	M12 REBAR	4
11	NUT	3
12	S BRACKET	1

Notes:
 1. HAC IS NOT STRUCTURALLY CONNECTED TO STEEL PLATE OR REBAR.
 2. ICC APPROVAL APPLIES TO HILTI ANCHOR CHANNEL COMPONENT.
 3. ITEM NUMBER VARIES ACCORDING TO THE REQUIRED EDGE DISTANCE. PLEASE CONTACT HILTI TO VERIFY ITEM NUMBERS FOR REQUIRED EDGE DISTANCES.

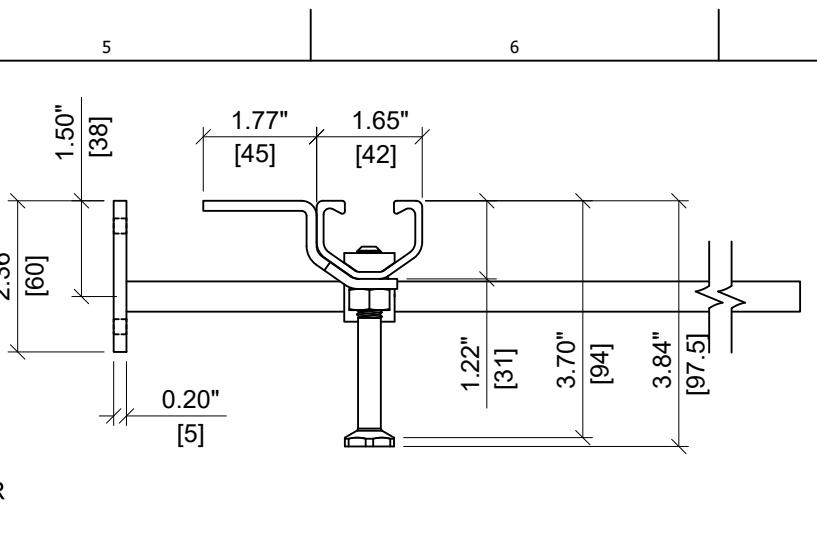
HILTI

ITEM NUMBER: VARIES³	CHANNEL LIP: SMOOTH
ITEM DESCRIPTION: HAC-50 S 94/350 F EDGE	

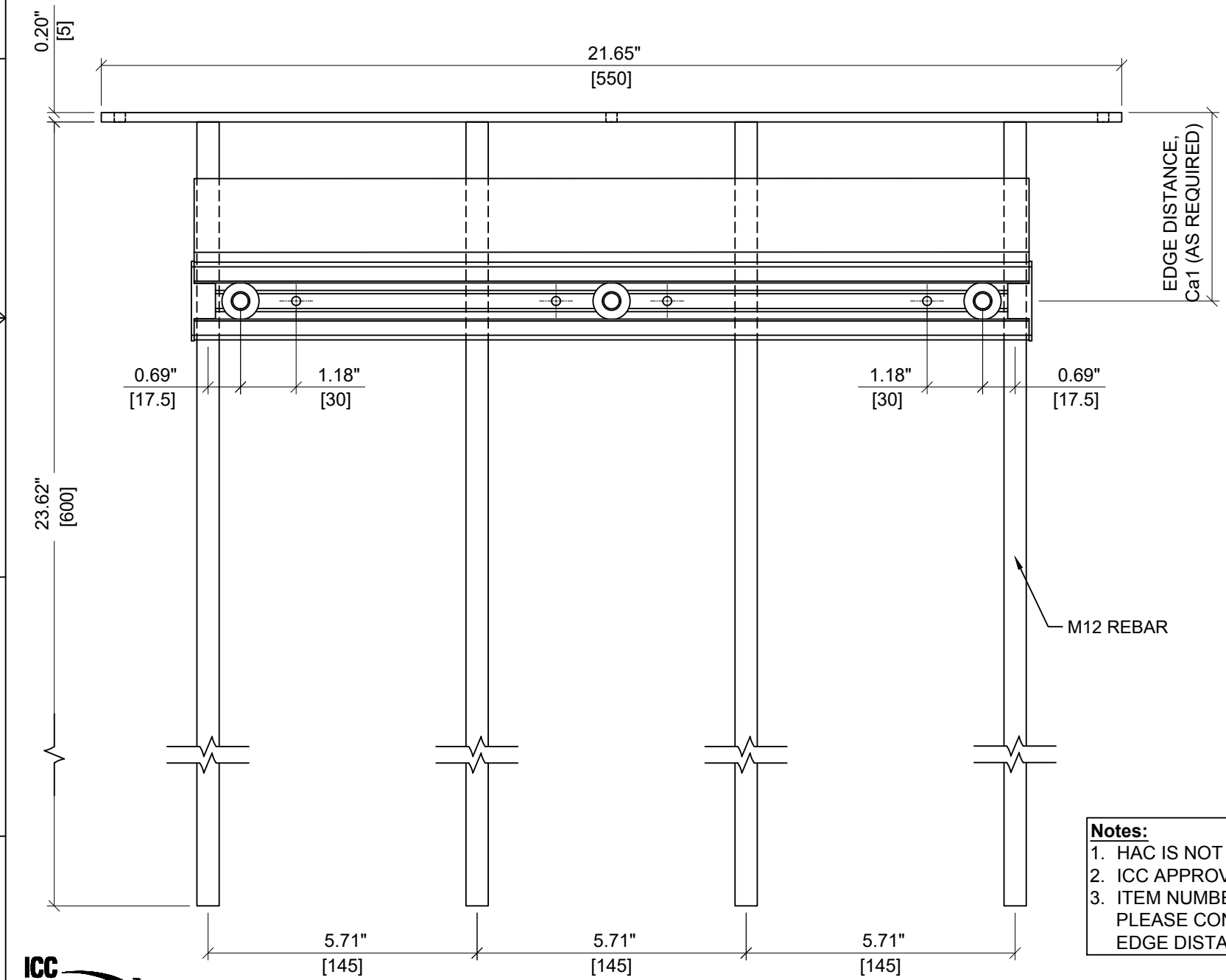




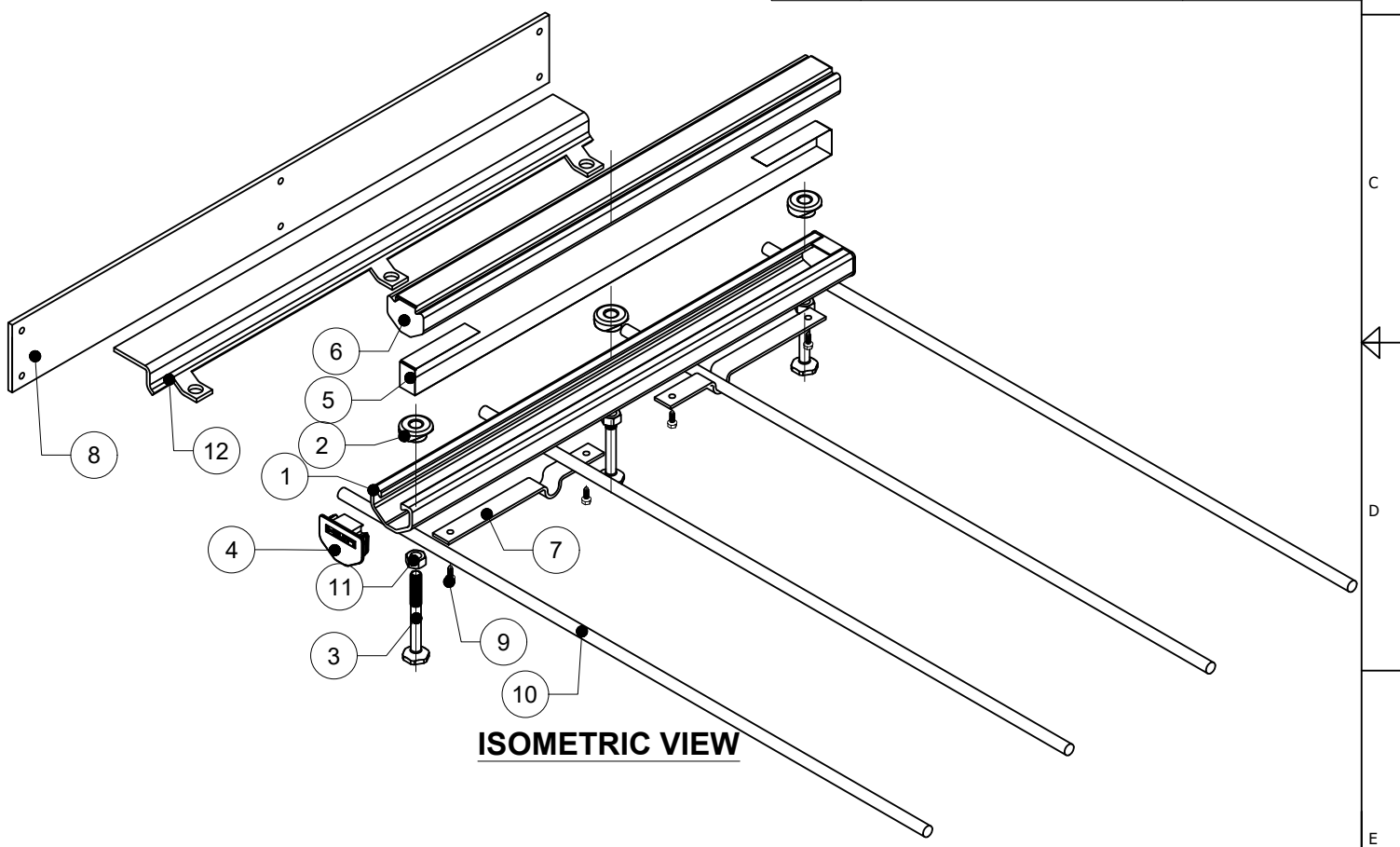
ELEVATION VIEW



SECTION A-A'



PLAN VIEW



ISOMETRIC VIEW

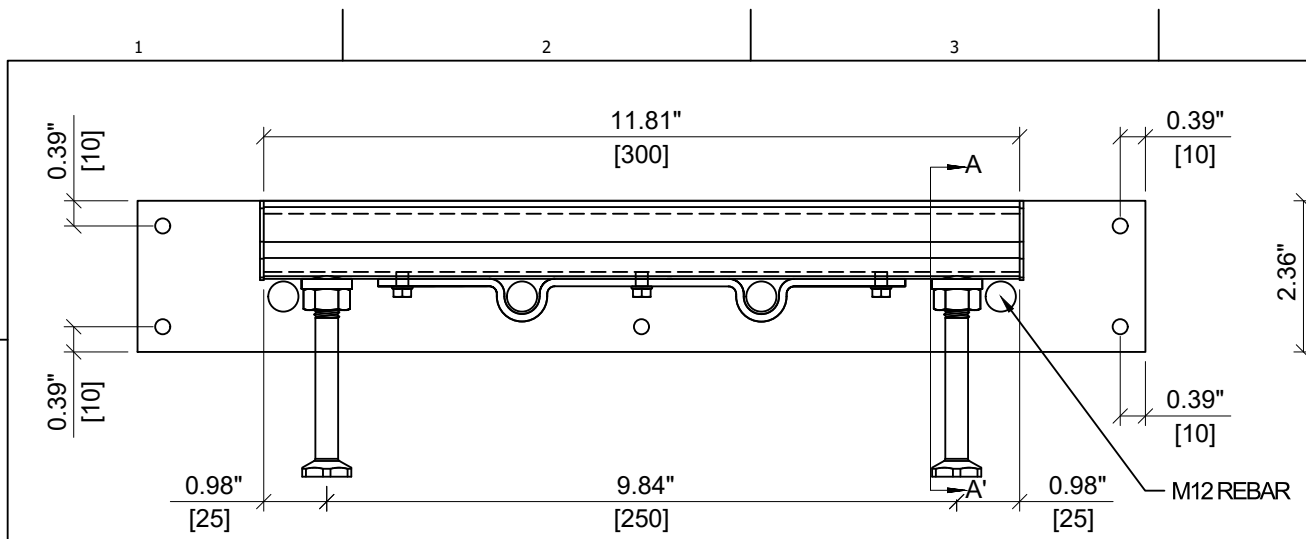
ITEM	DESCRIPTION	QUANTITY
1	CHANNEL PROFILE	1
2	RIVET CONNECTION	3
3	ROUNDED HEADED ANCHOR	3
4	END CAP	2
5	TEAR OUT BAND	1
6	FILLER FOAM	1
7	STEEL STRAP	2
8	STEEL PLATE	1
9	SELF DRILL SCREW	4
10	M12 REBAR	4
11	NUT	3
12	S BRACKET	1

Notes:
 1. HAC IS NOT STRUCTURALLY CONNECTED TO STEEL PLATE OR REBAR.
 2. ICC APPROVAL APPLIES TO HILTI ANCHOR CHANNEL COMPONENT.
 3. ITEM NUMBER VARIES ACCORDING TO THE REQUIRED EDGE DISTANCE. PLEASE CONTACT HILTI TO VERIFY ITEM NUMBERS FOR REQUIRED EDGE DISTANCES.

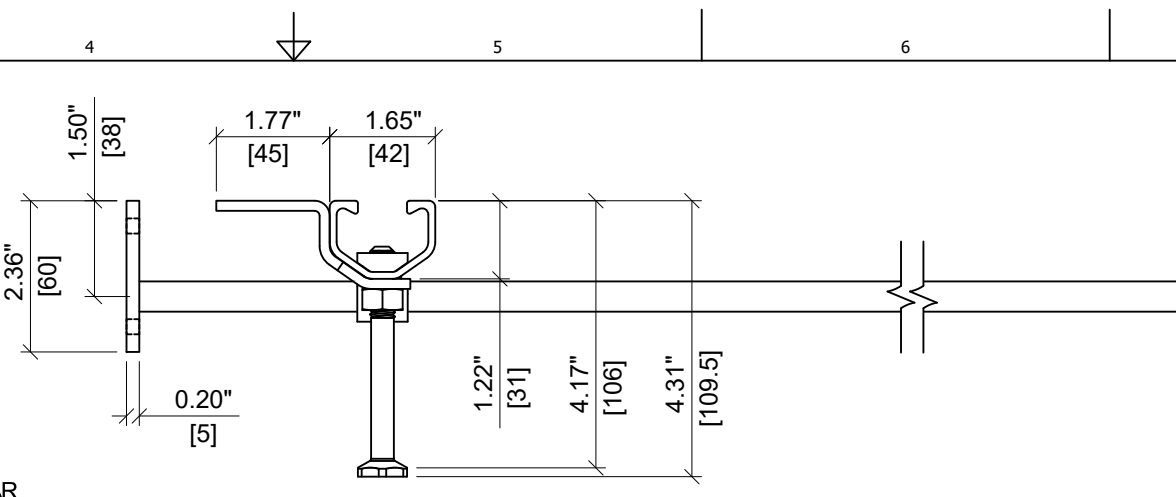


HILTI

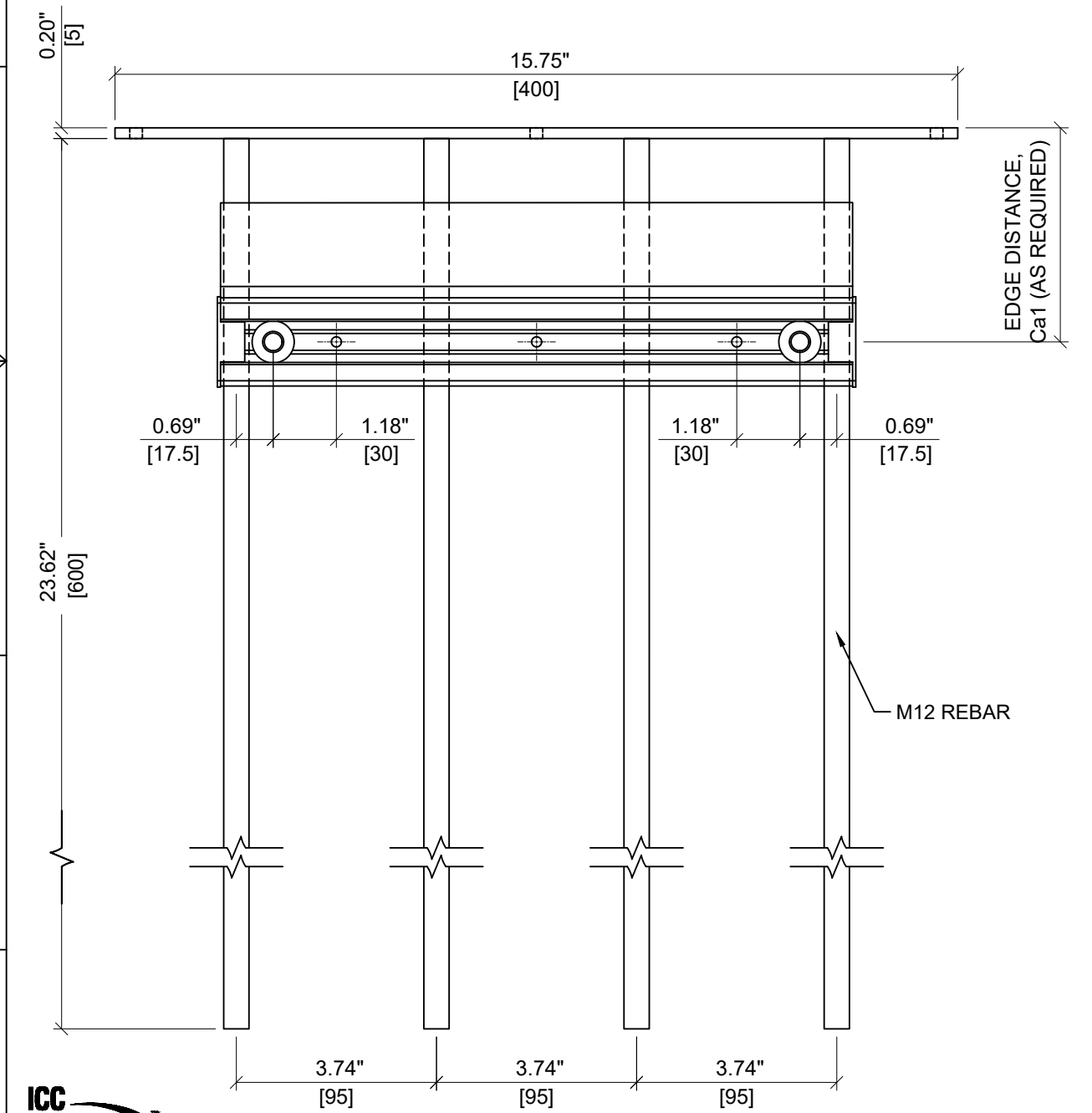
ITEM NUMBER: <div style="font-size: 24px; font-weight: bold; text-align: center;">VARIES³</div>	CHANNEL LIP: <div style="font-size: 24px; font-weight: bold; text-align: center;">SMOOTH</div>
ITEM DESCRIPTION: <div style="font-size: 18px; font-weight: bold; text-align: center;">HAC-50 S 94/450 F EDGE</div>	



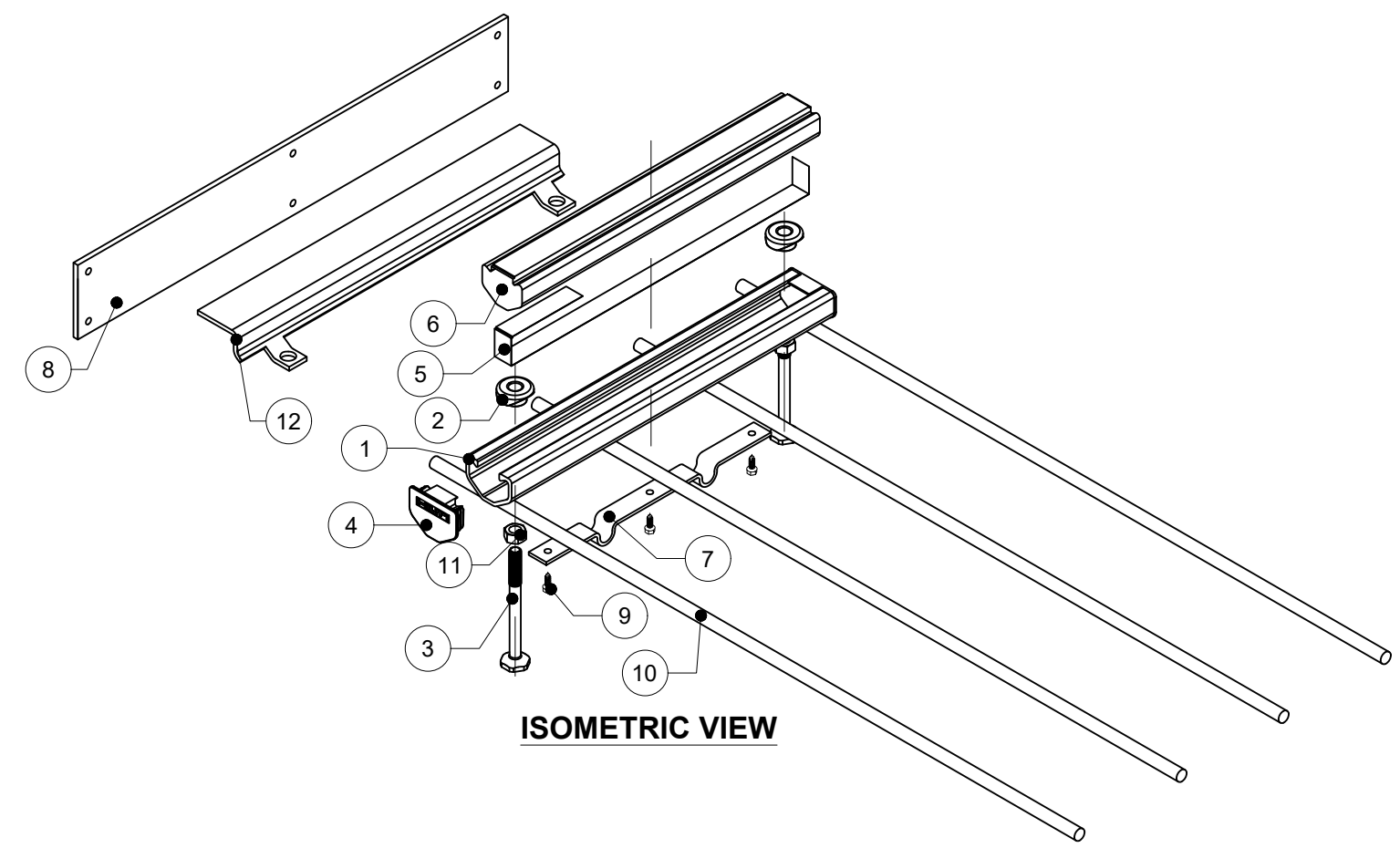
ELEVATION VIEW



SECTION A-A'



PLAN VIEW



ISOMETRIC VIEW

ITEM	DESCRIPTION	QUANTITY
1	CHANNEL PROFILE	1
2	RIVET CONNECTION	2
3	ROUNDED HEADED ANCHOR	2
4	END CAP	2
5	TEAR OUT BAND	1
6	FILLER FOAM	1
7	STEEL STRAP	1
8	STEEL PLATE	1
9	SELF DRILL SCREW	3
10	M12 REBAR	4
11	NUT	2
12	S BRACKET	1

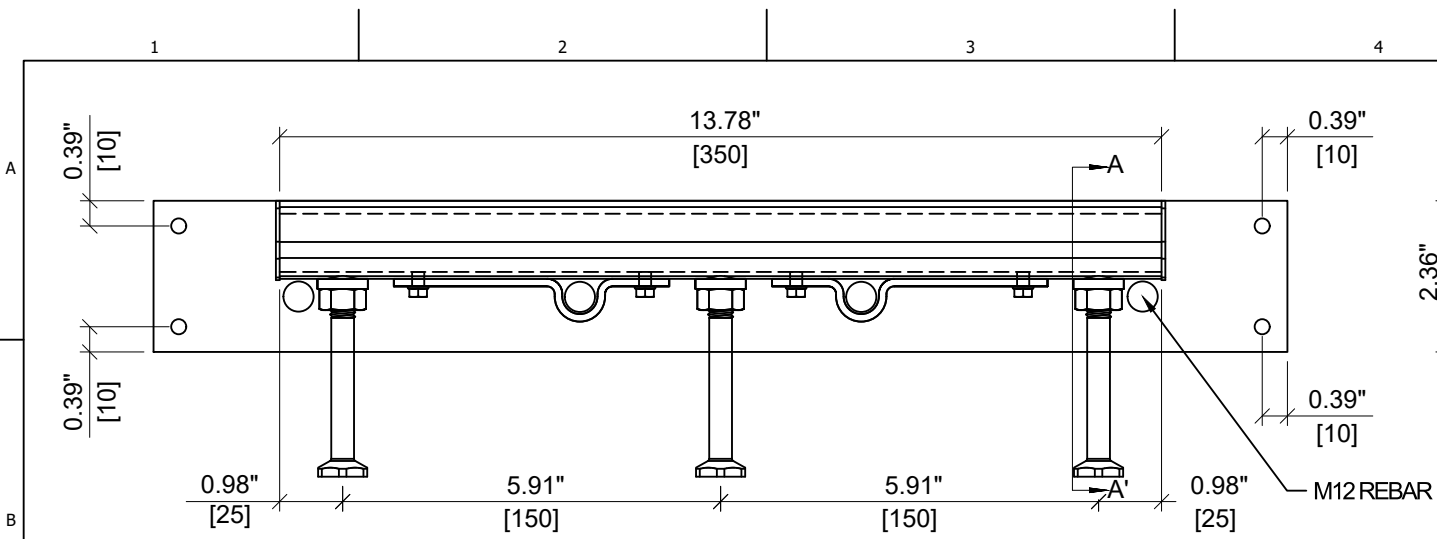
Notes:

- HAC IS NOT STRUCTURALLY CONNECTED TO STEEL PLATE OR REBAR.
- ICC APPROVAL APPLIES TO HILTI ANCHOR CHANNEL COMPONENT.
- ITEM NUMBER VARIES ACCORDING TO THE REQUIRED EDGE DISTANCE. PLEASE CONTACT HILTI TO VERIFY ITEM NUMBERS FOR REQUIRED EDGE DISTANCES.

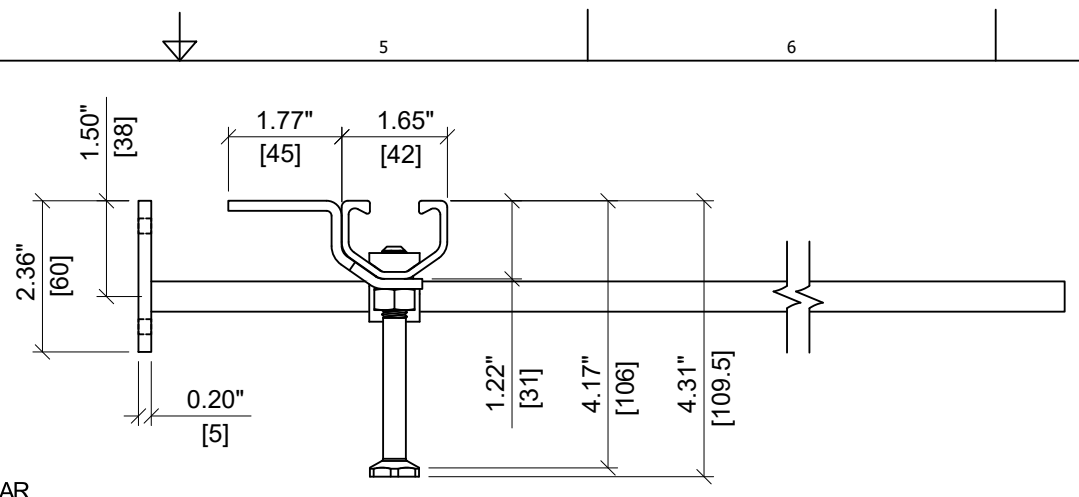
HILTI

ITEM NUMBER: <div style="font-size: 24px; font-weight: bold; text-align: center;">VARIES³</div>	CHANNEL LIP: <div style="font-size: 24px; font-weight: bold; text-align: center;">SMOOTH</div>
ITEM DESCRIPTION: <div style="font-size: 18px; font-weight: bold; text-align: center;">HAC-50 S 106/300 F EDGE</div>	

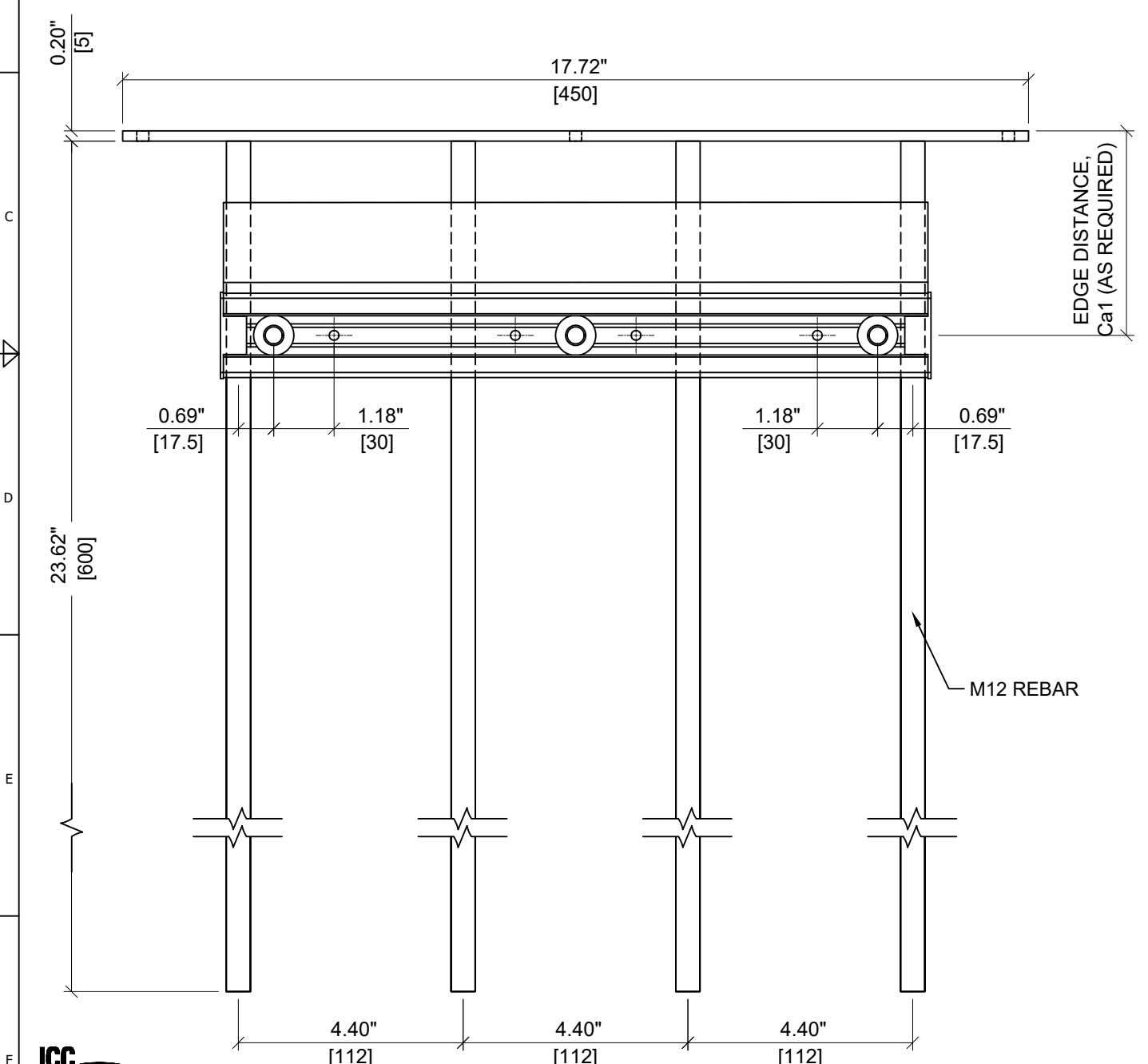




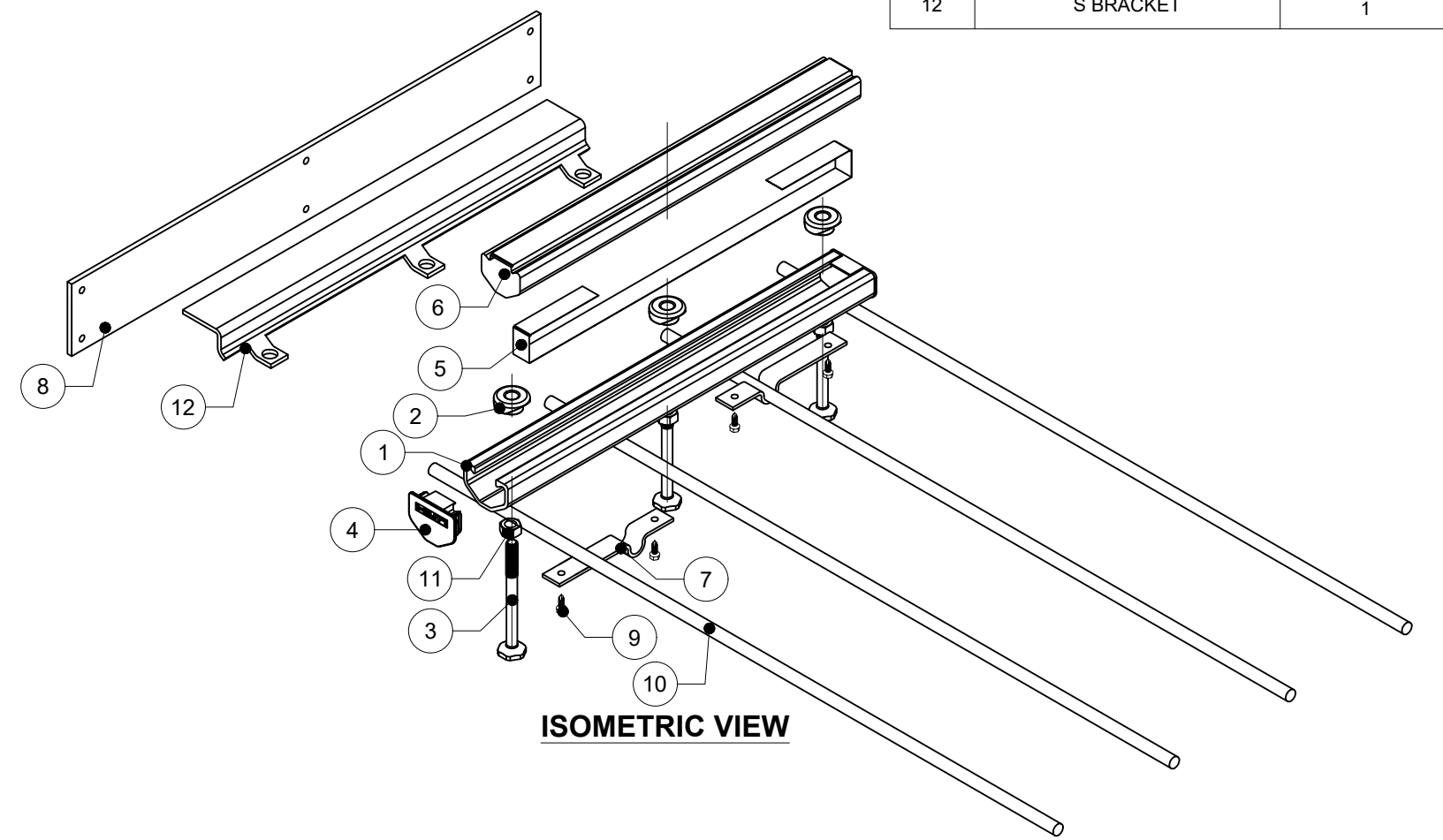
ELEVATION VIEW



SECTION A-A'



PLAN VIEW



ISOMETRIC VIEW

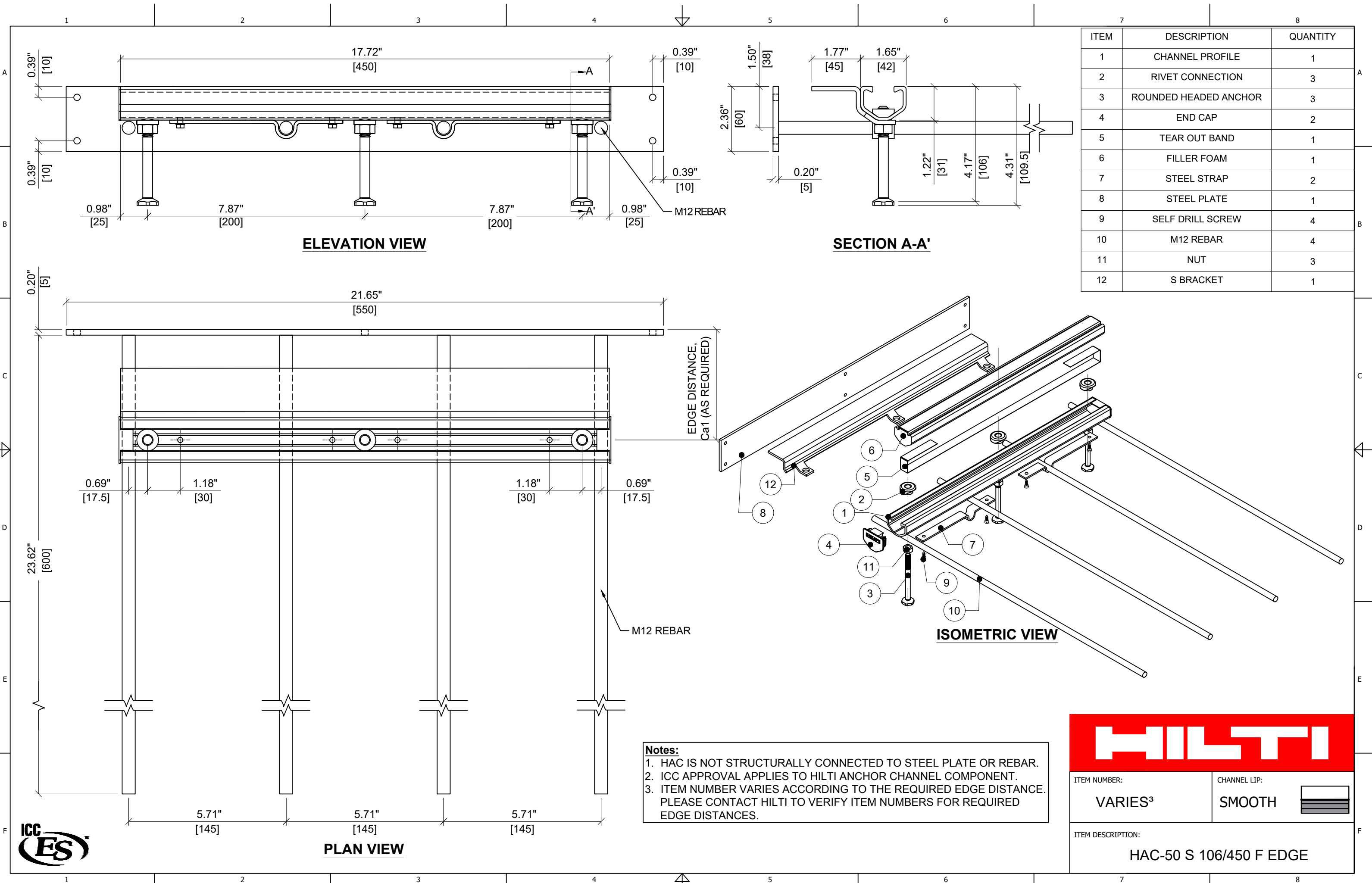
ITEM	DESCRIPTION	QUANTITY
1	CHANNEL PROFILE	1
2	RIVET CONNECTION	3
3	ROUNDED HEADED ANCHOR	3
4	END CAP	2
5	TEAR OUT BAND	1
6	FILLER FOAM	1
7	STEEL STRAP	2
8	STEEL PLATE	1
9	SELF DRILL SCREW	4
10	M12 REBAR	4
11	NUT	3
12	S BRACKET	1

Notes:
 1. HAC IS NOT STRUCTURALLY CONNECTED TO STEEL PLATE OR REBAR.
 2. ICC APPROVAL APPLIES TO HILTI ANCHOR CHANNEL COMPONENT.
 3. ITEM NUMBER VARIES ACCORDING TO THE REQUIRED EDGE DISTANCE. PLEASE CONTACT HILTI TO VERIFY ITEM NUMBERS FOR REQUIRED EDGE DISTANCES.



HILTI

ITEM NUMBER: VARIES³	CHANNEL LIP: SMOOTH
ITEM DESCRIPTION: HAC-50 S 106/350 F EDGE	



ITEM	DESCRIPTION	QUANTITY
1	CHANNEL PROFILE	1
2	RIVET CONNECTION	3
3	ROUNDED HEADED ANCHOR	3
4	END CAP	2
5	TEAR OUT BAND	1
6	FILLER FOAM	1
7	STEEL STRAP	2
8	STEEL PLATE	1
9	SELF DRILL SCREW	4
10	M12 REBAR	4
11	NUT	3
12	S BRACKET	1

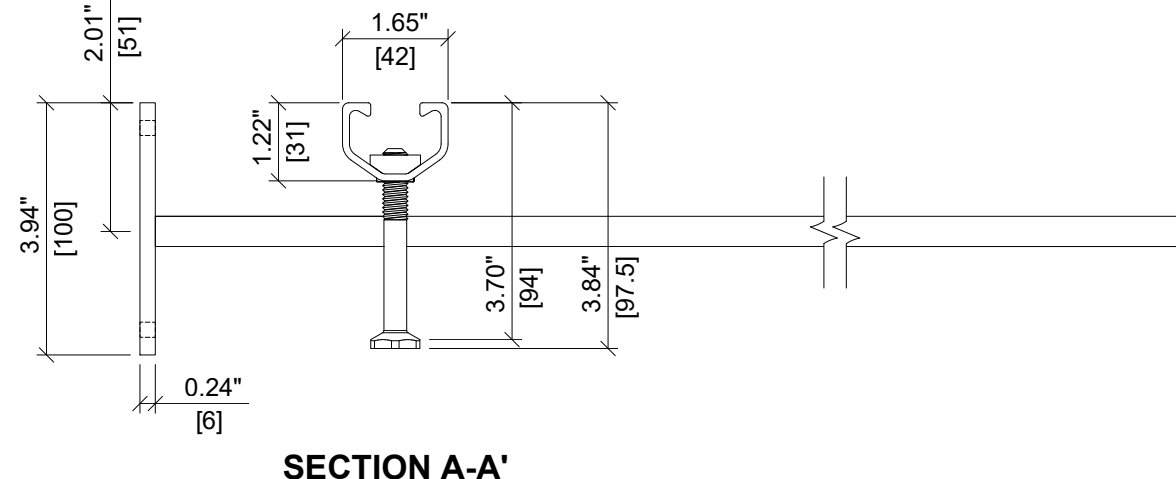
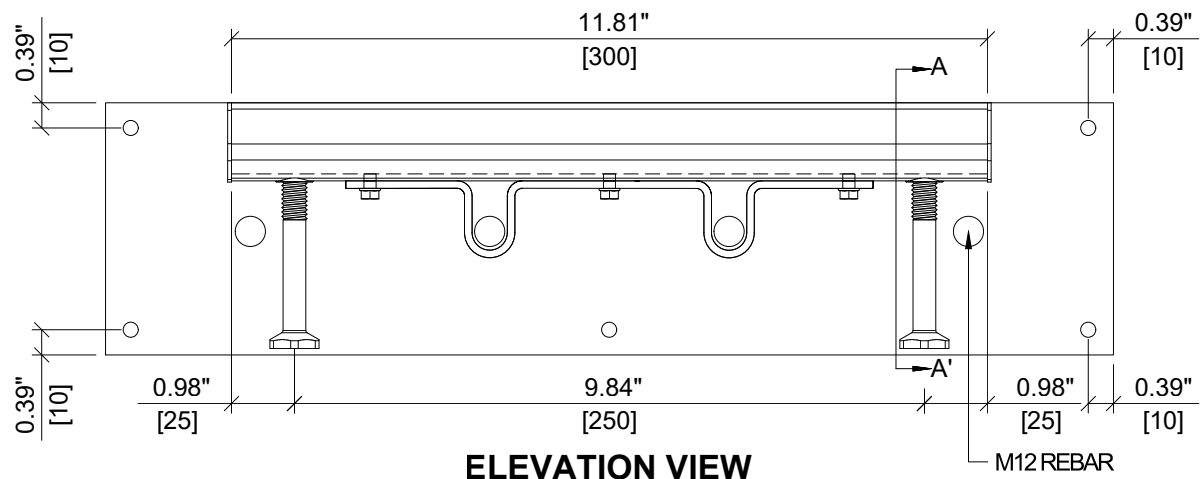
Notes:
 1. HAC IS NOT STRUCTURALLY CONNECTED TO STEEL PLATE OR REBAR.
 2. ICC APPROVAL APPLIES TO HILTI ANCHOR CHANNEL COMPONENT.
 3. ITEM NUMBER VARIES ACCORDING TO THE REQUIRED EDGE DISTANCE. PLEASE CONTACT HILTI TO VERIFY ITEM NUMBERS FOR REQUIRED EDGE DISTANCES.

HILTI

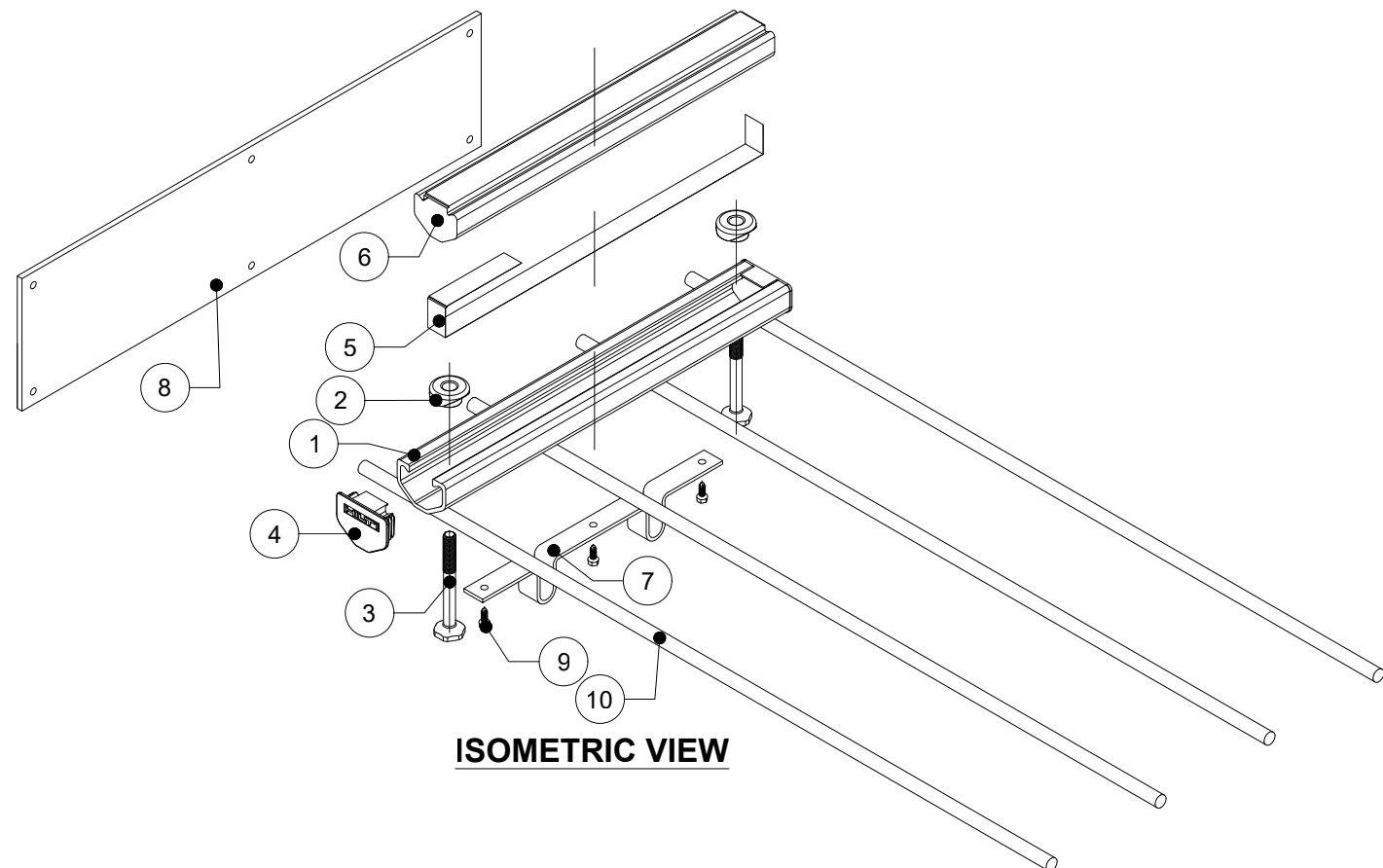
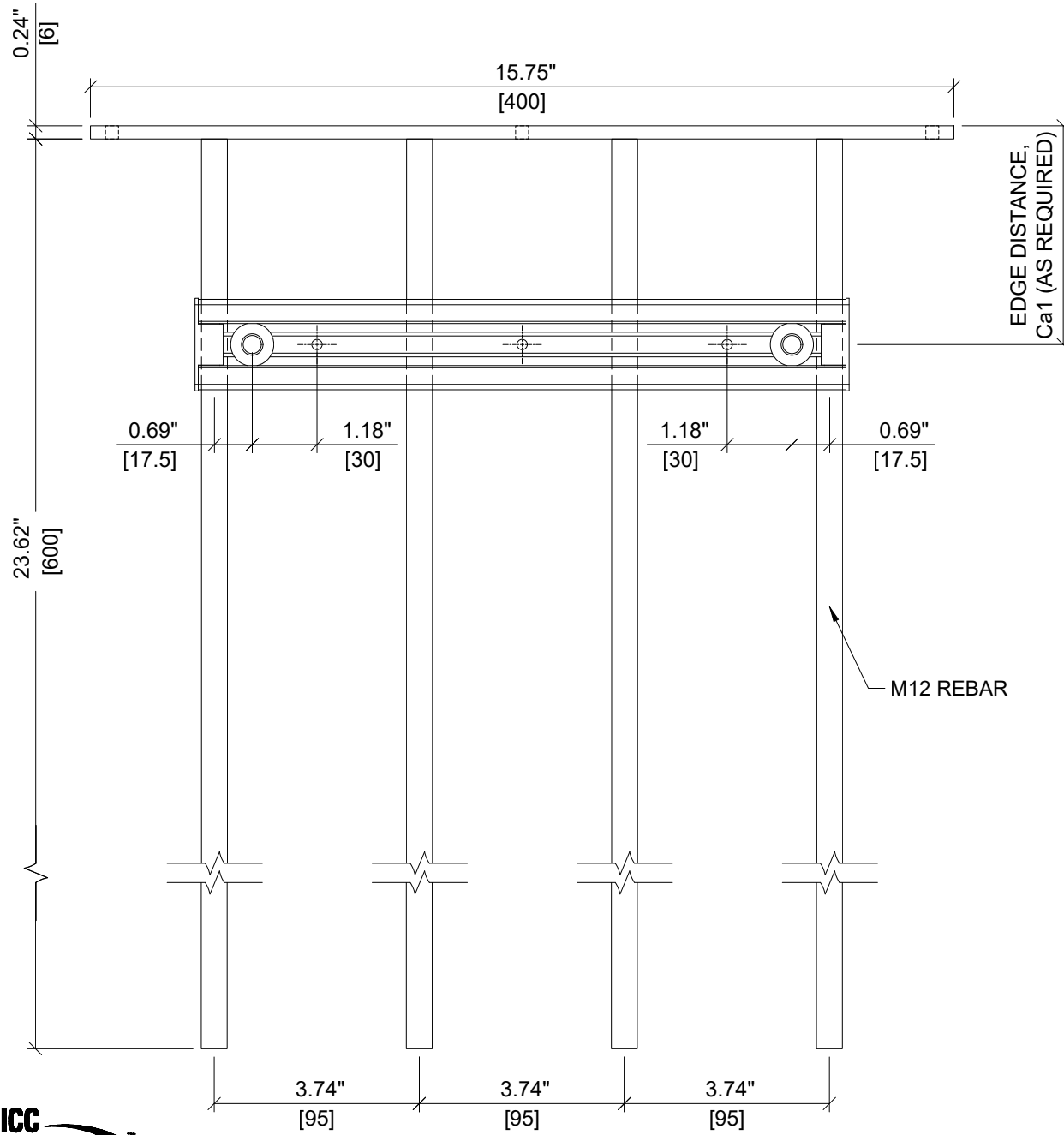
ITEM NUMBER: **VARIES³** CHANNEL LIP: **SMOOTH**

ITEM DESCRIPTION: **HAC-50 S 106/450 F EDGE**





ITEM	DESCRIPTION	QUANTITY
1	CHANNEL PROFILE	1
2	RIVET CONNECTION	2
3	ROUNDED HEADED ANCHOR	2
4	END CAP	2
5	TEAR OUT BAND	1
6	FILLER FOAM	1
7	STEEL STRAP	1
8	STEEL PLATE	1
9	SELF DRILL SCREW	3
10	M12 REBAR	4



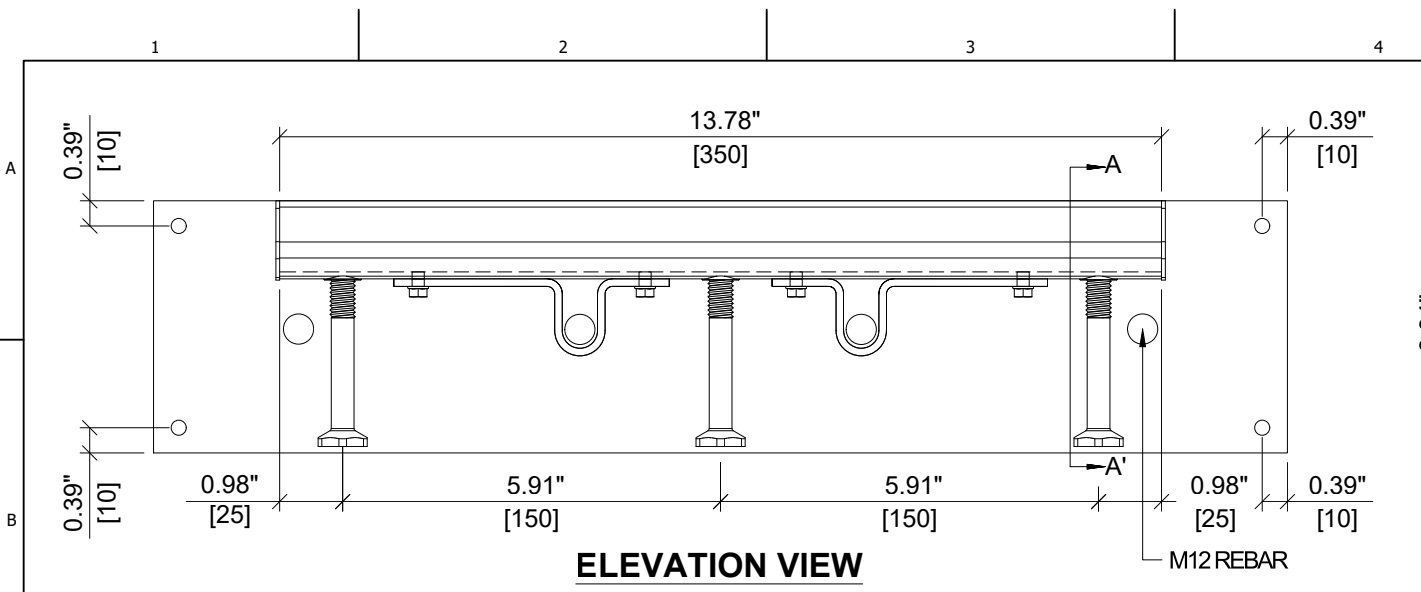
Notes:

- HAC IS NOT STRUCTURALLY CONNECTED TO STEEL PLATE OR REBAR.
- ICC APPROVAL APPLIES TO HILTI ANCHOR CHANNEL COMPONENT.
- ITEM NUMBER VARIES ACCORDING TO THE REQUIRED EDGE DISTANCE. PLEASE CONTACT HILTI TO VERIFY ITEM NUMBERS FOR REQUIRED EDGE DISTANCES.

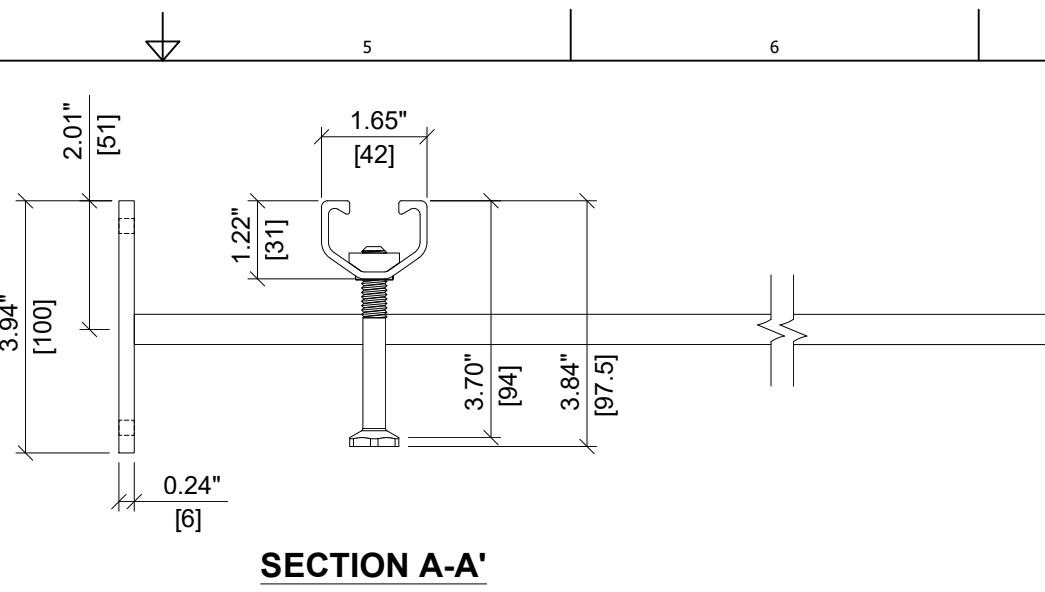
HILTI

ITEM NUMBER: VARIES³	CHANNEL LIP: SMOOTH
ITEM DESCRIPTION: HAC-50 94/300 F EDGE C	



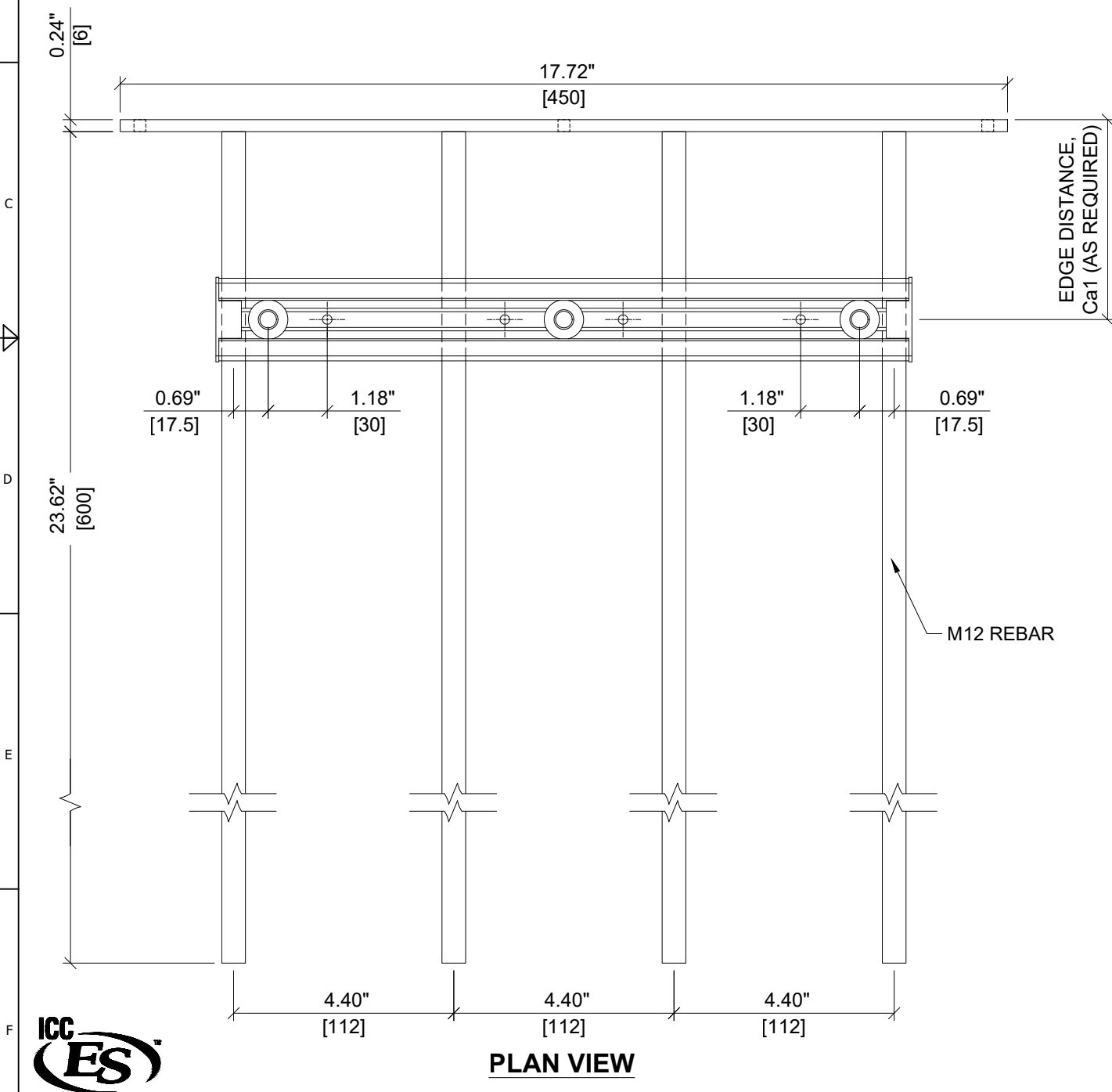


ELEVATION VIEW

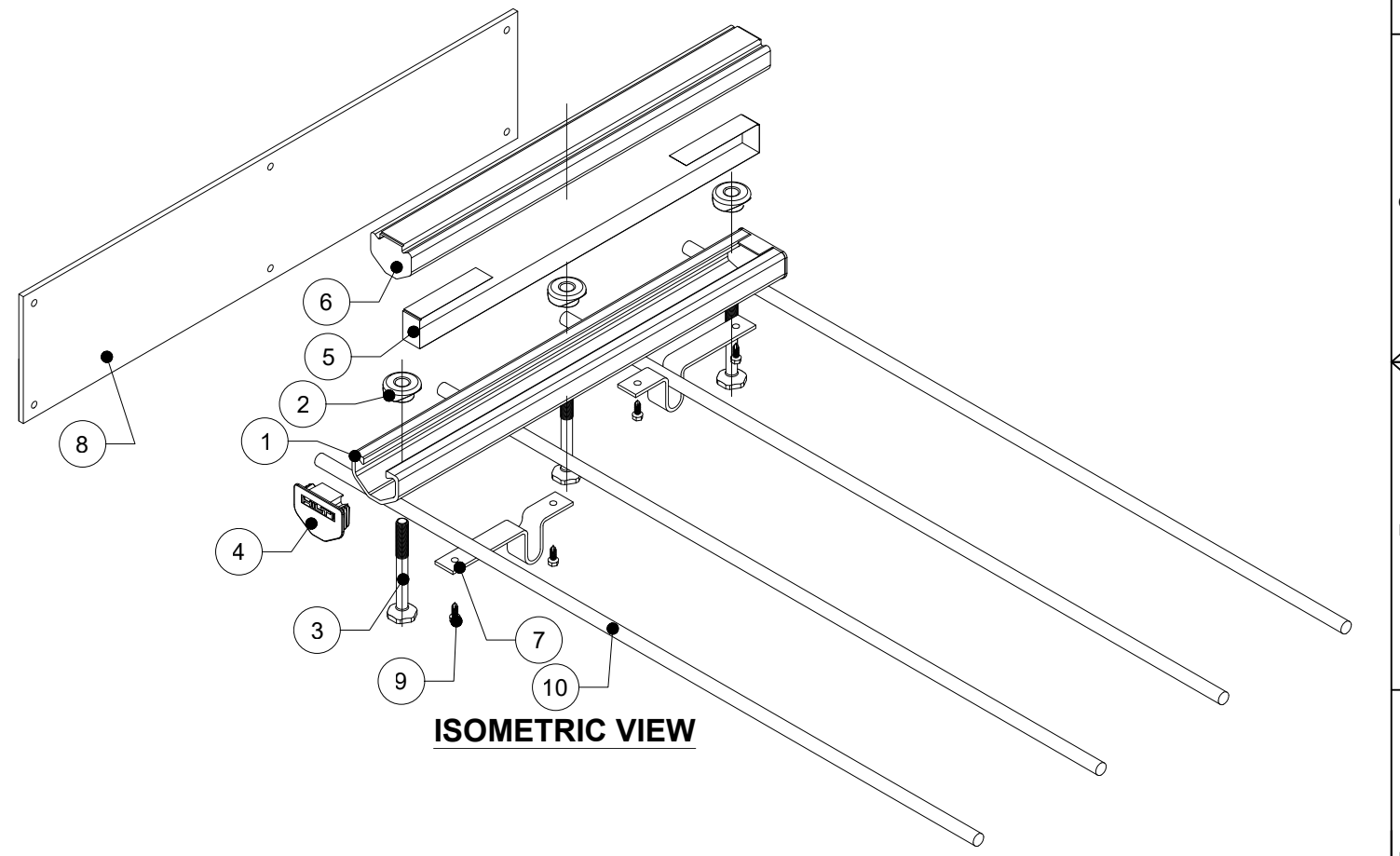


SECTION A-A'

ITEM	DESCRIPTION	QUANTITY
1	CHANNEL PROFILE	1
2	RIVET CONNECTION	3
3	ROUNDED HEADED ANCHOR	3
4	END CAP	2
5	TEAR OUT BAND	1
6	FILLER FOAM	1
7	STEEL STRAP	2
8	STEEL PLATE	1
9	SELF DRILL SCREW	4
10	M12 REBAR	4




PLAN VIEW



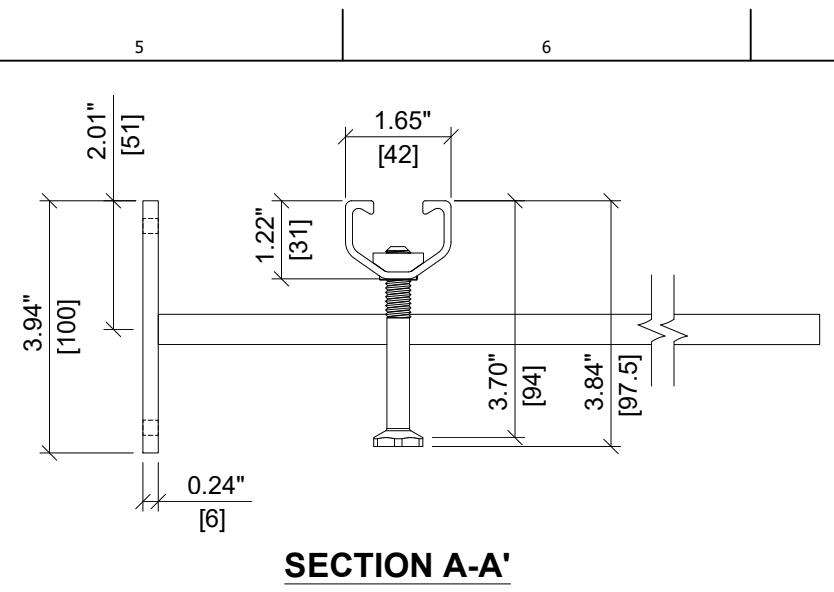
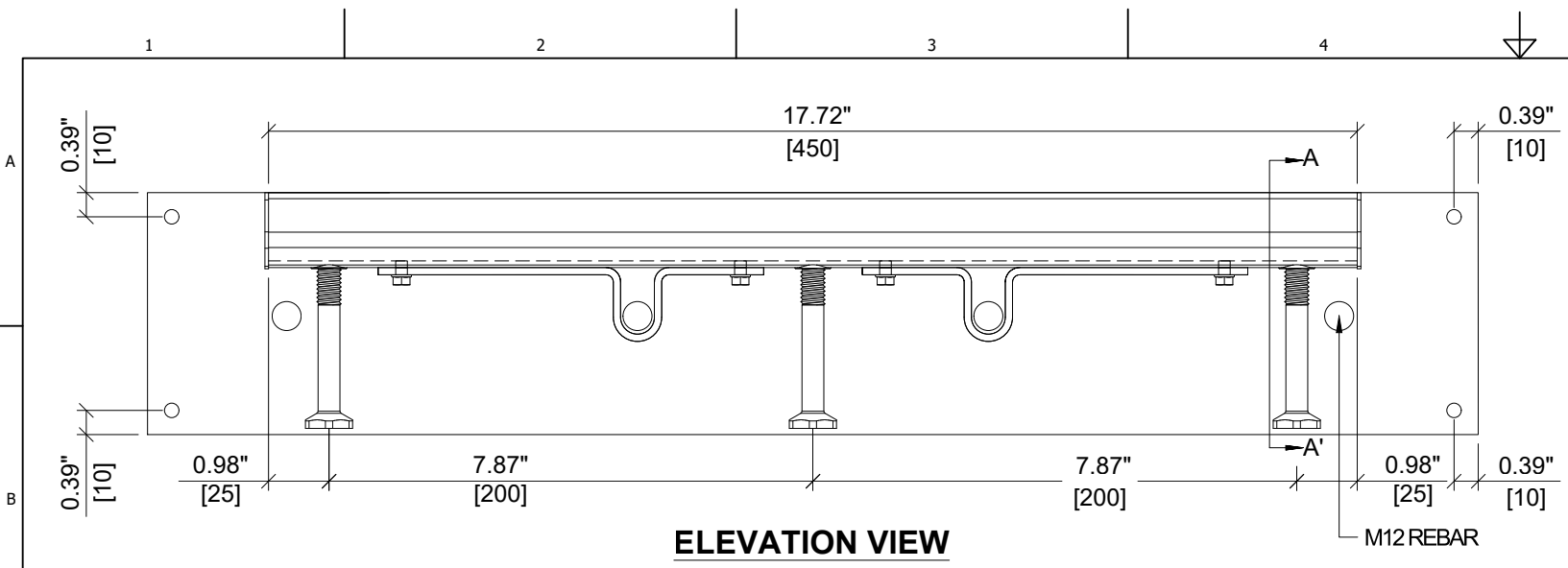
ISOMETRIC VIEW

Notes:
 1. HAC IS NOT STRUCTURALLY CONNECTED TO STEEL PLATE OR REBAR.
 2. ICC APPROVAL APPLIES TO HILTI ANCHOR CHANNEL COMPONENT.
 3. ITEM NUMBER VARIES ACCORDING TO THE REQUIRED EDGE DISTANCE. PLEASE CONTACT HILTI TO VERIFY ITEM NUMBERS FOR REQUIRED EDGE DISTANCES.

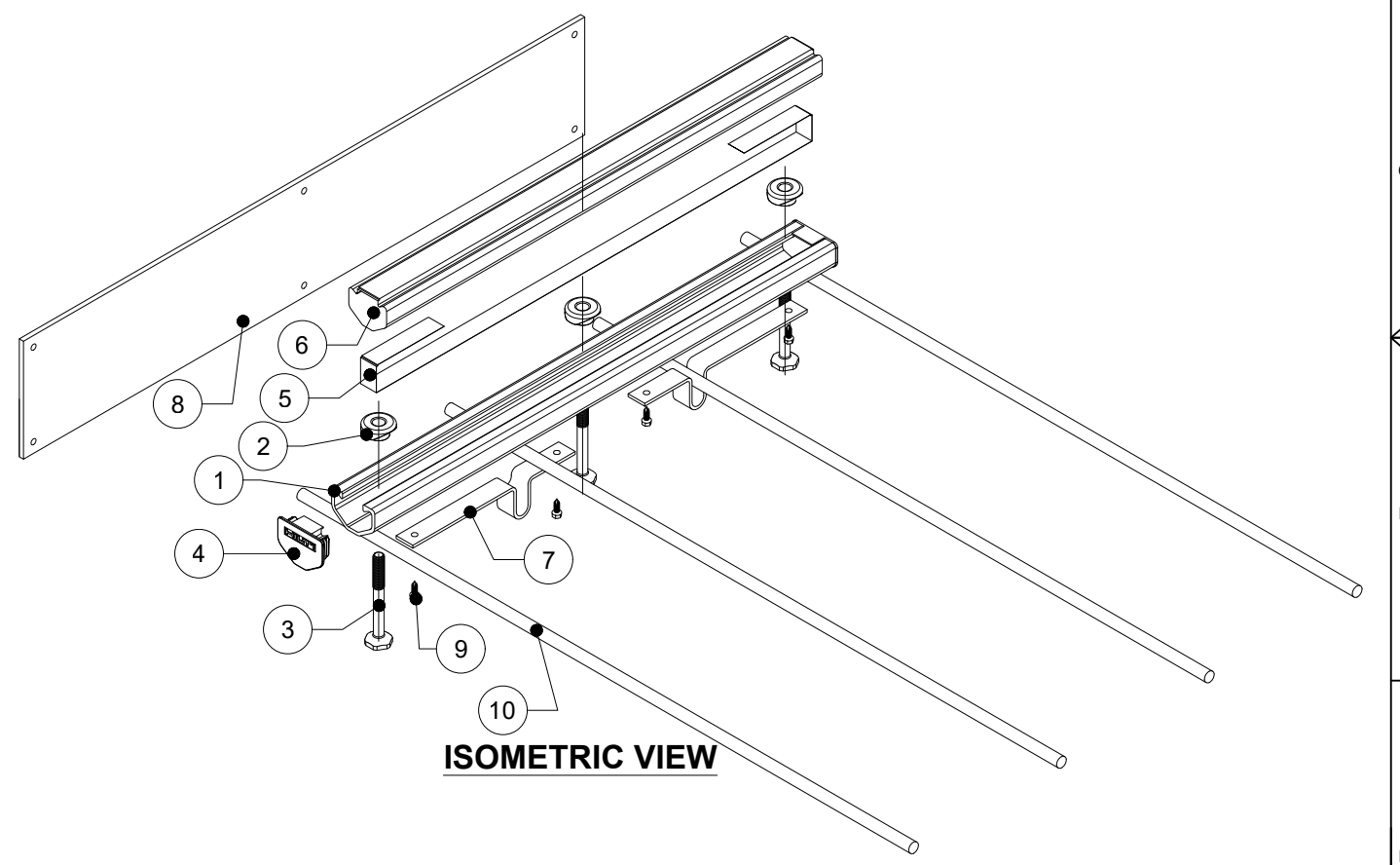
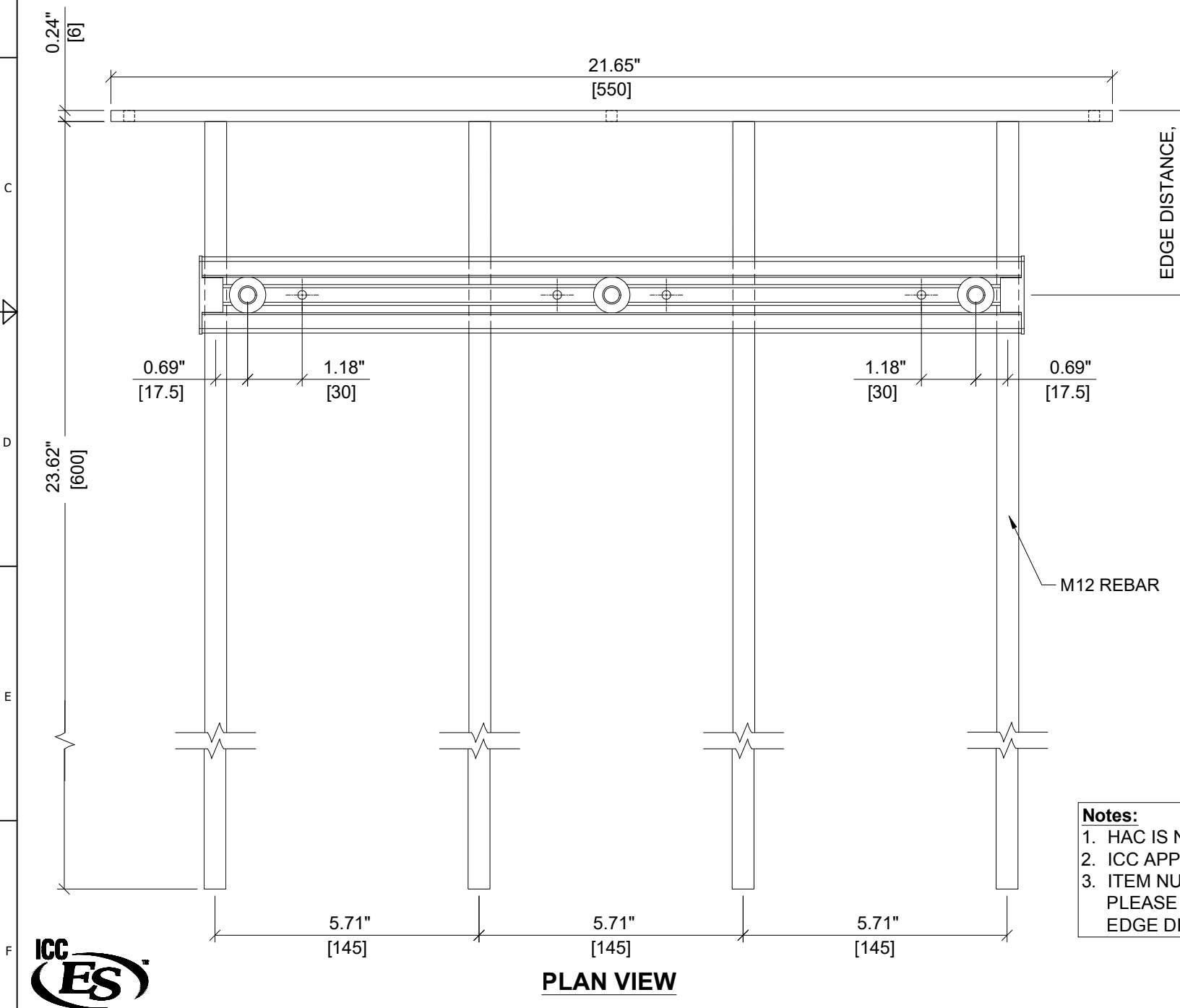


ITEM NUMBER: VARIES³	CHANNEL LIP: SMOOTH
ITEM DESCRIPTION: HAC-50 94/350 F EDGE C	





ITEM	DESCRIPTION	QUANTITY
1	CHANNEL PROFILE	1
2	RIVET CONNECTION	3
3	ROUNDED HEADED ANCHOR	3
4	END CAP	2
5	TEAR OUT BAND	1
6	FILLER FOAM	1
7	STEEL STRAP	2
8	STEEL PLATE	1
9	SELF DRILL SCREW	4
10	M12 REBAR	4

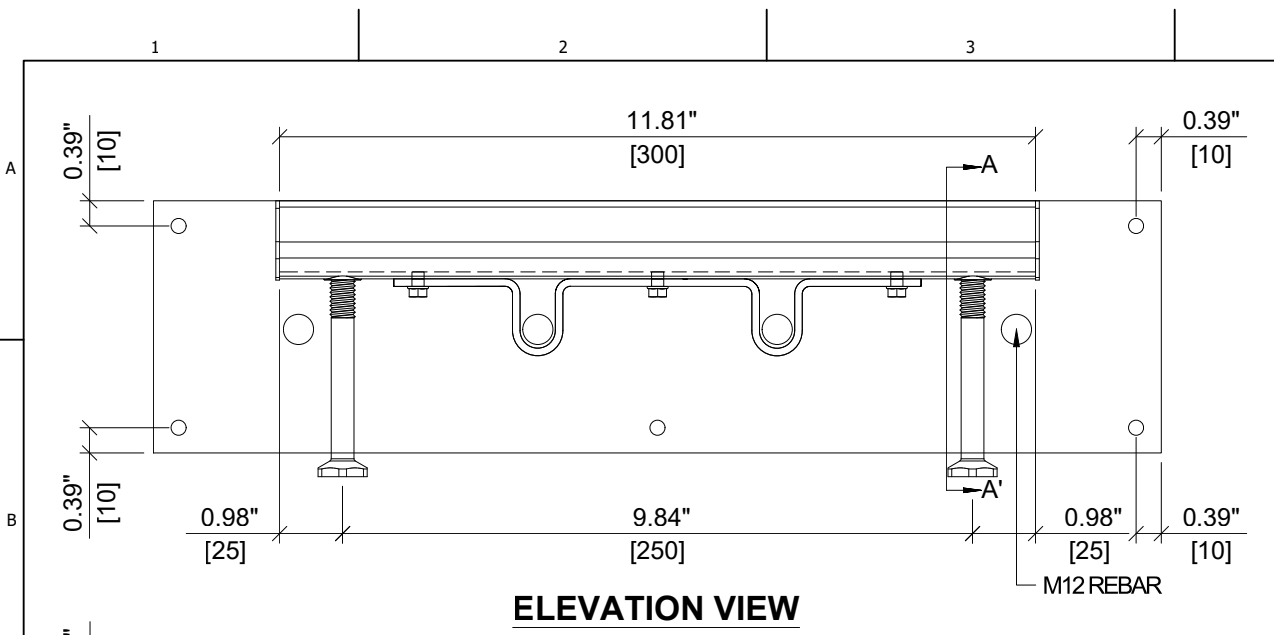


Notes:
 1. HAC IS NOT STRUCTURALLY CONNECTED TO STEEL PLATE OR REBAR.
 2. ICC APPROVAL APPLIES TO HILTI ANCHOR CHANNEL COMPONENT.
 3. ITEM NUMBER VARIES ACCORDING TO THE REQUIRED EDGE DISTANCE. PLEASE CONTACT HILTI TO VERIFY ITEM NUMBERS FOR REQUIRED EDGE DISTANCES.

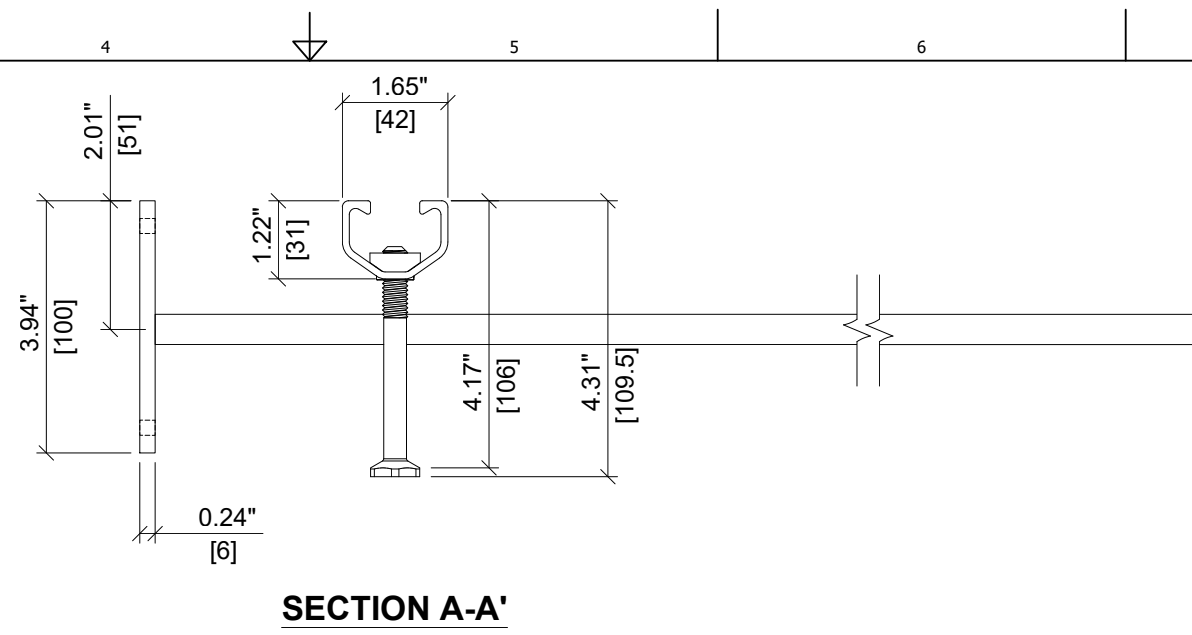
HILTI

ITEM NUMBER: <div style="font-size: 24px; font-weight: bold; text-align: center;">VARIES³</div>	CHANNEL LIP: <div style="font-size: 24px; font-weight: bold; text-align: center;">SMOOTH</div>
ITEM DESCRIPTION: <div style="font-size: 18px; font-weight: bold; text-align: center;">HAC-50 94/450 F EDGE C</div>	

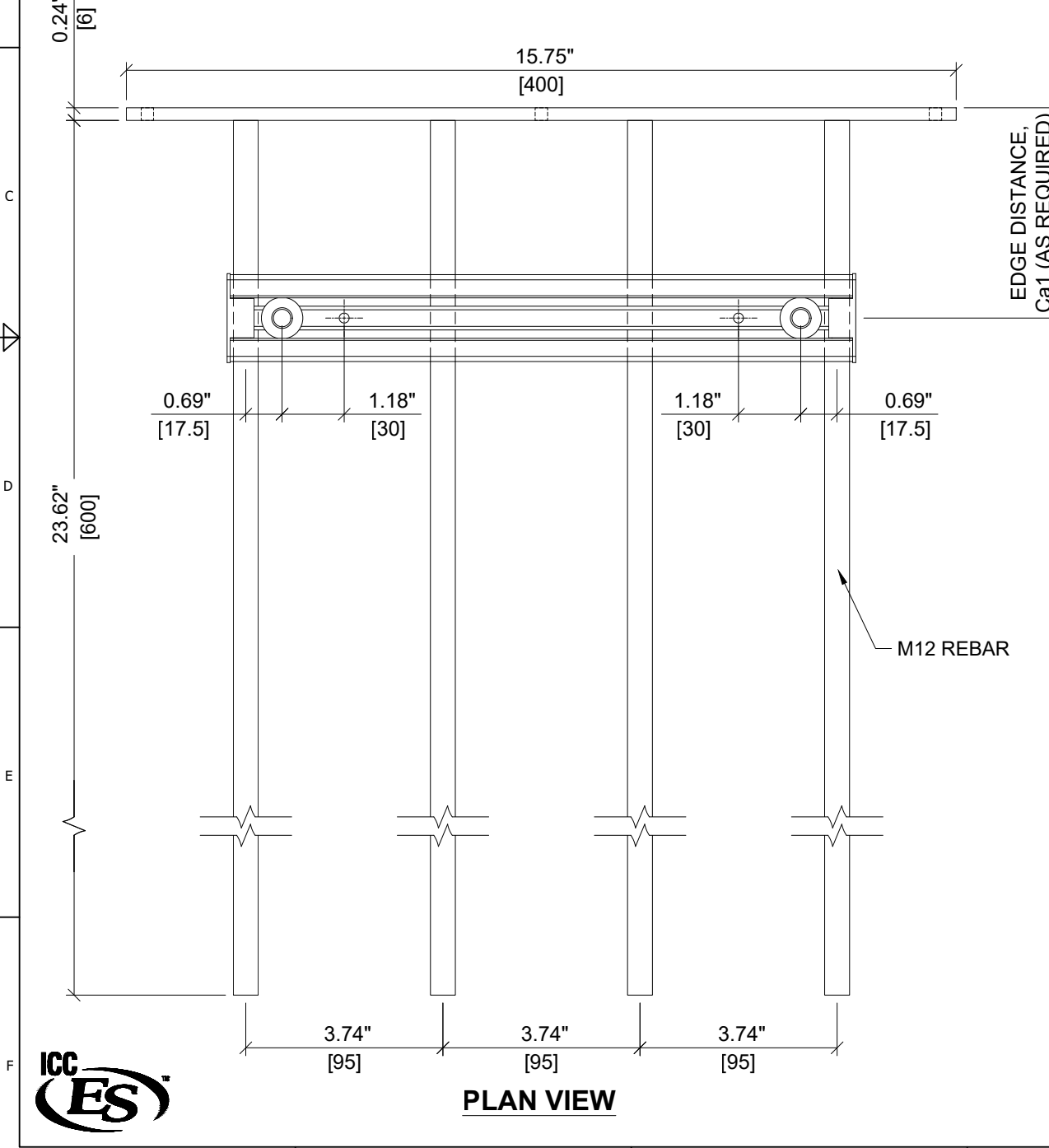




ELEVATION VIEW

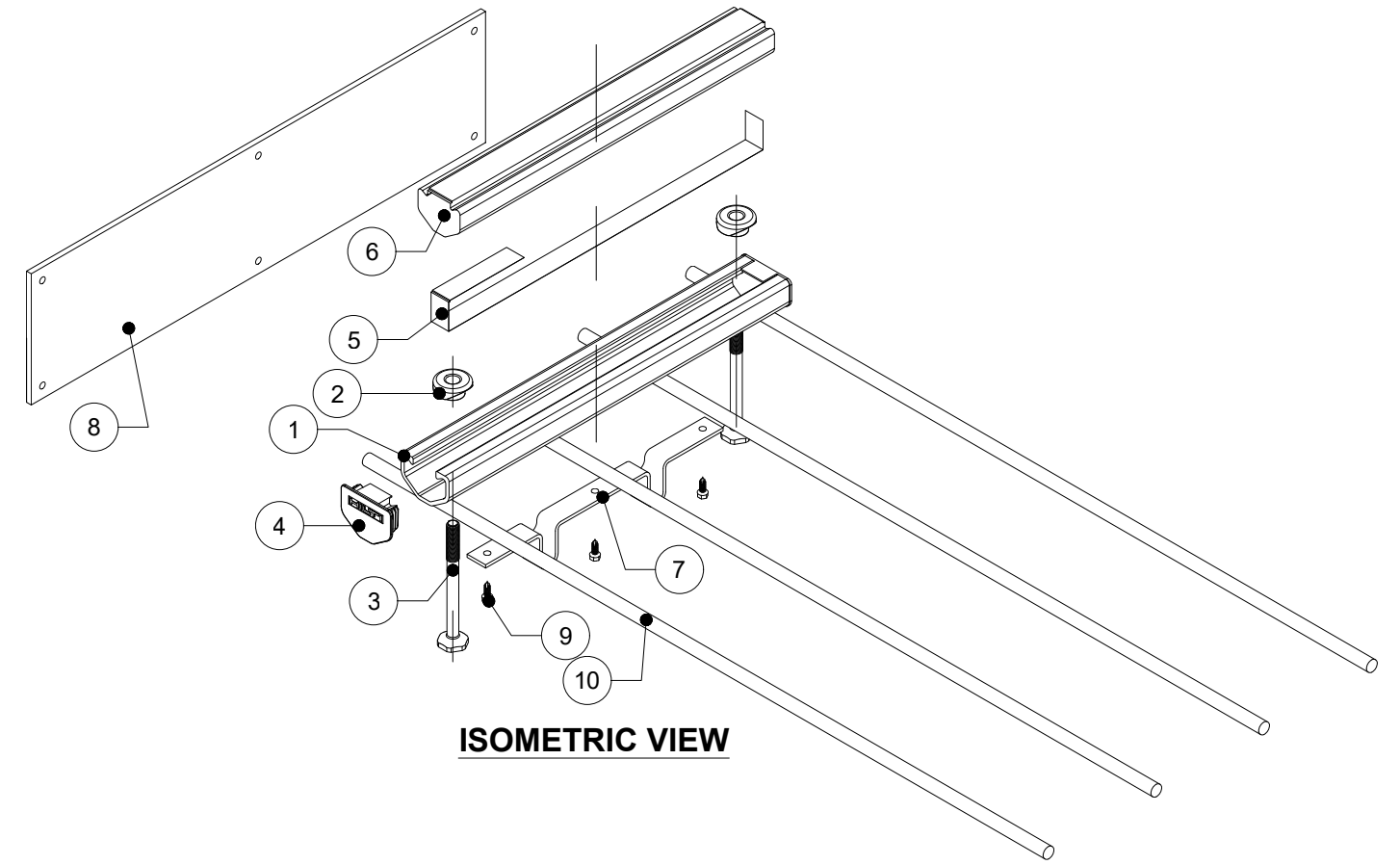


SECTION A-A'



PLAN VIEW

ITEM	DESCRIPTION	QUANTITY
1	CHANNEL PROFILE	1
2	RIVET CONNECTION	2
3	ROUNDED HEADED ANCHOR	2
4	END CAP	2
5	TEAR OUT BAND	1
6	FILLER FOAM	1
7	STEEL STRAP	1
8	STEEL PLATE	1
9	SELF DRILL SCREW	3
10	M12 REBAR	4



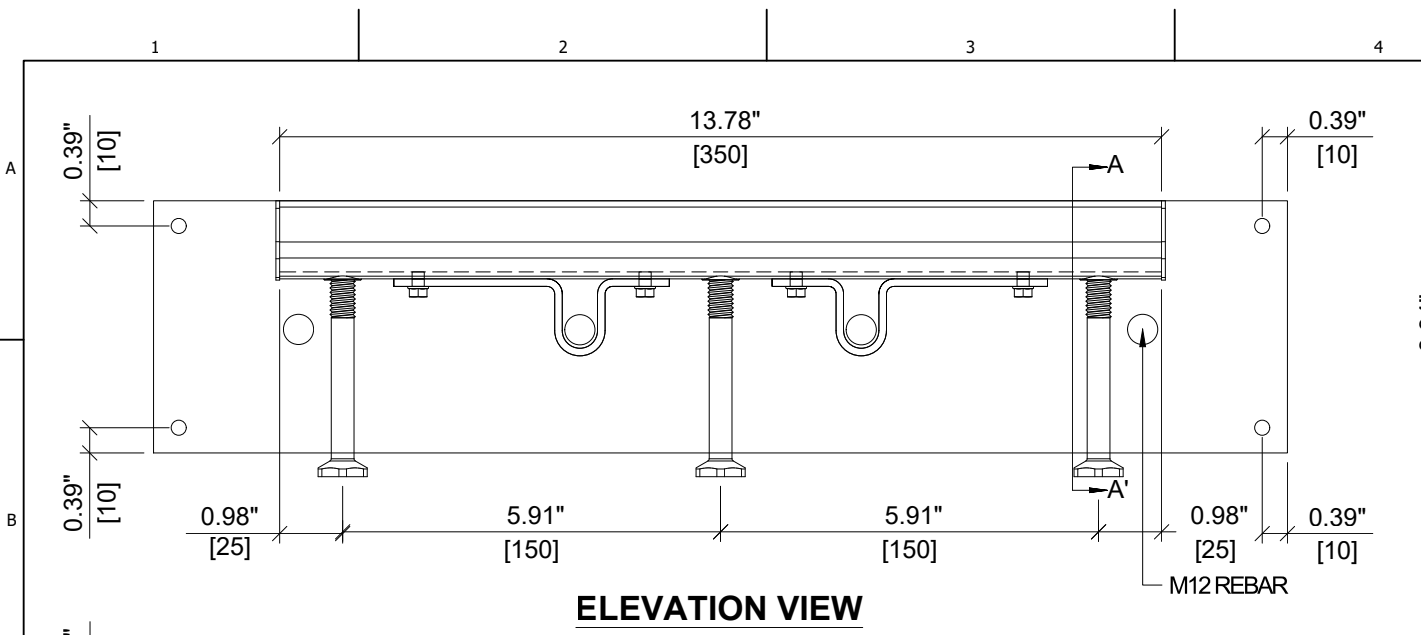
ISOMETRIC VIEW

Notes:
 1. HAC IS NOT STRUCTURALLY CONNECTED TO STEEL PLATE OR REBAR.
 2. ICC APPROVAL APPLIES TO HILTI ANCHOR CHANNEL COMPONENT.
 3. ITEM NUMBER VARIES ACCORDING TO THE REQUIRED EDGE DISTANCE. PLEASE CONTACT HILTI TO VERIFY ITEM NUMBERS FOR REQUIRED EDGE DISTANCES.

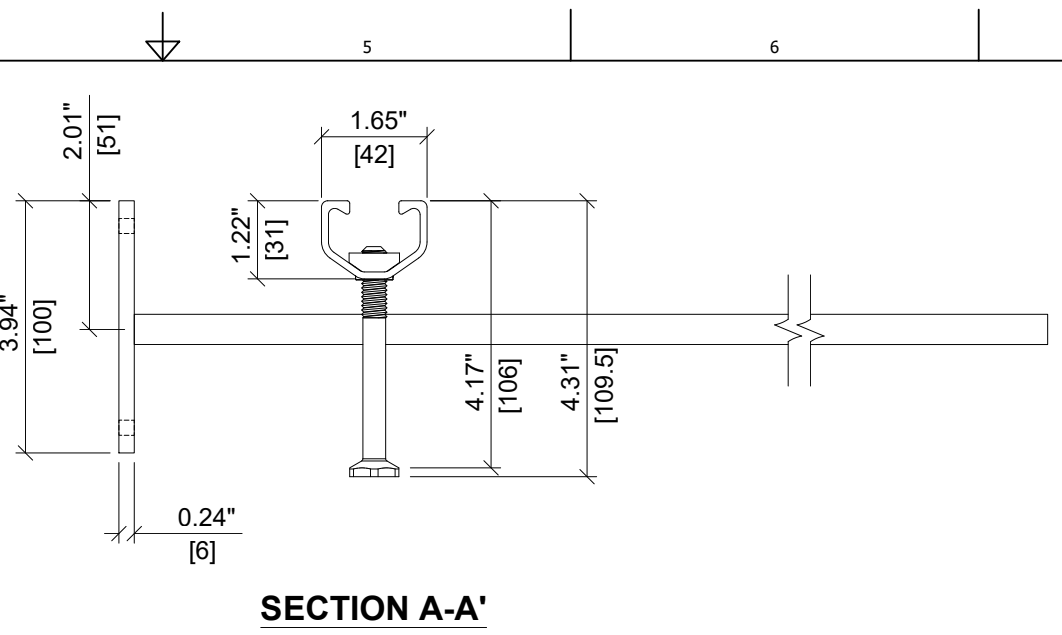
HILTI

ITEM NUMBER: <div style="font-size: 24px; font-weight: bold; text-align: center;">VARIES³</div>	CHANNEL LIP: <div style="font-size: 24px; font-weight: bold; text-align: center;">SMOOTH</div>
ITEM DESCRIPTION: <div style="font-size: 18px; font-weight: bold; text-align: center;">HAC-50 106/300 F EDGE C</div>	

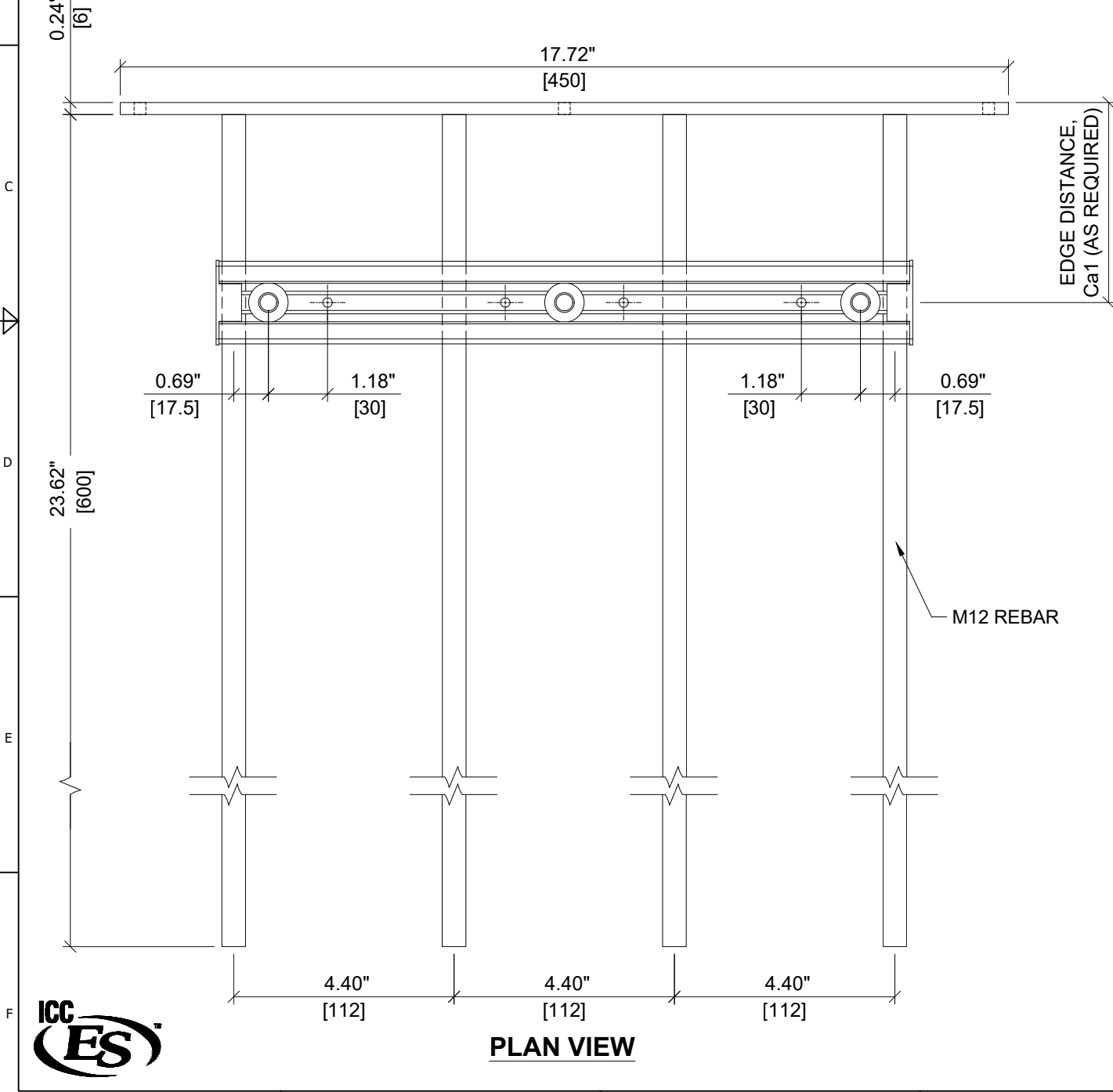




ELEVATION VIEW

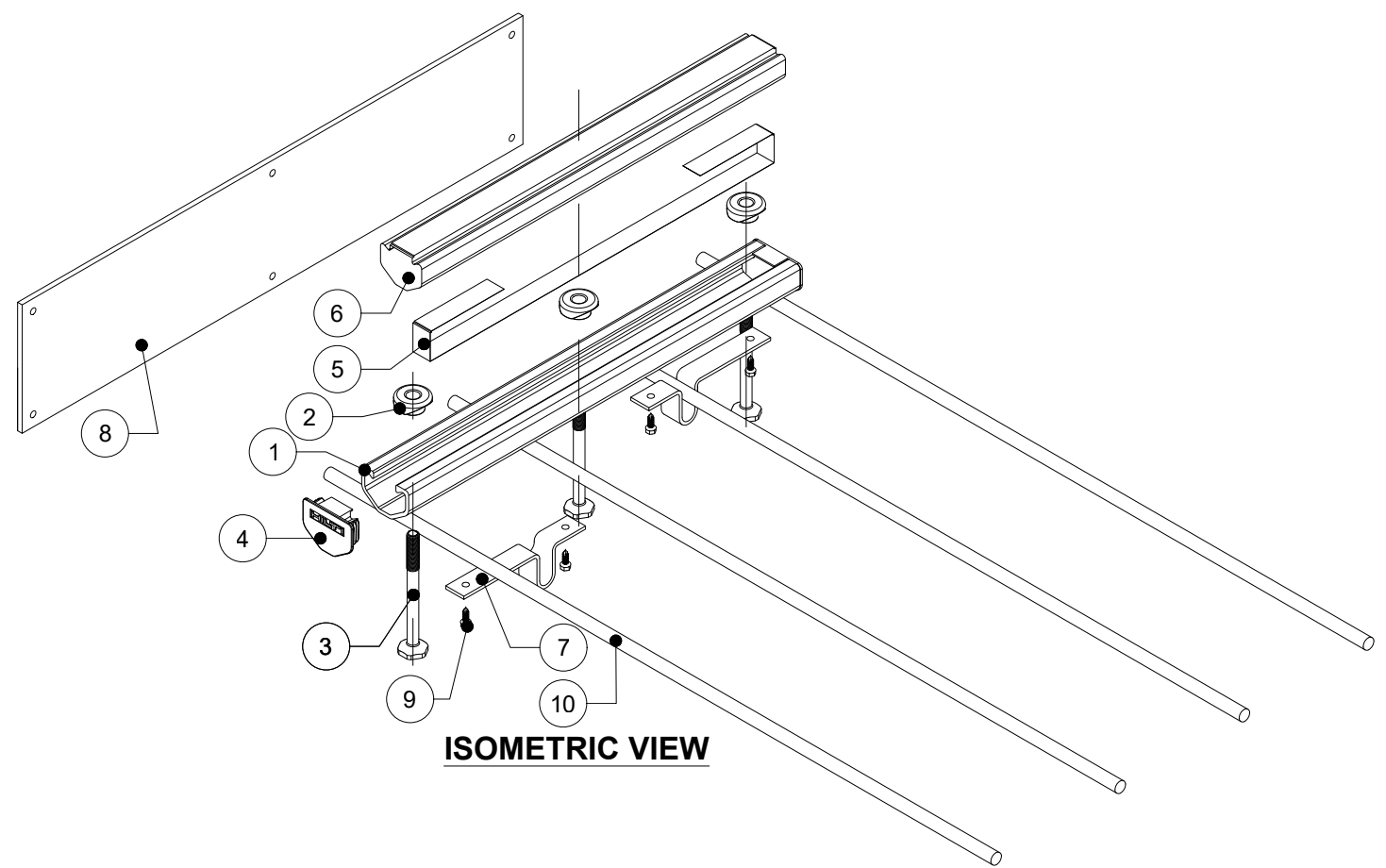


SECTION A-A'



PLAN VIEW

ITEM	DESCRIPTION	QUANTITY
1	CHANNEL PROFILE	1
2	RIVET CONNECTION	3
3	ROUNDED HEADED ANCHOR	3
4	END CAP	2
5	TEAR OUT BAND	1
6	FILLER FOAM	1
7	STEEL STRAP	2
8	STEEL PLATE	1
9	SELF DRILL SCREW	4
10	M12 REBAR	4



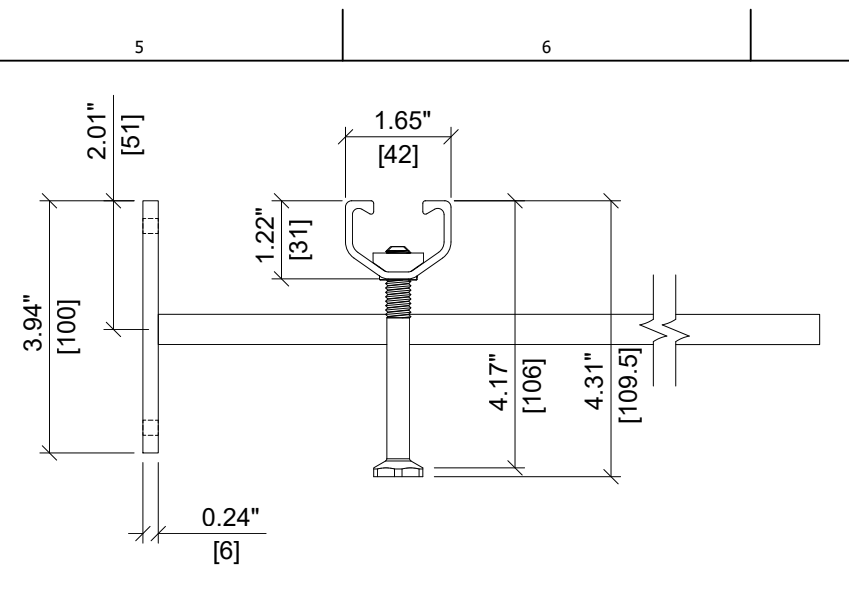
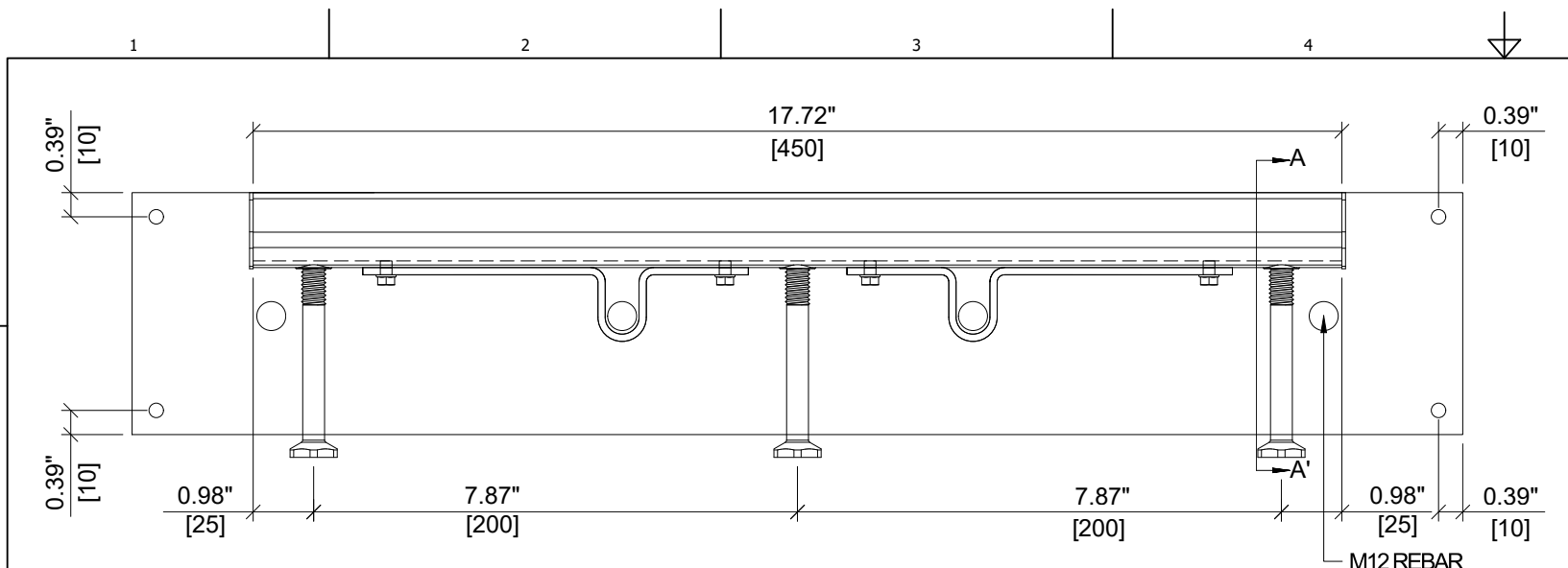
ISOMETRIC VIEW

Notes:
 1. HAC IS NOT STRUCTURALLY CONNECTED TO STEEL PLATE OR REBAR.
 2. ICC APPROVAL APPLIES TO HILTI ANCHOR CHANNEL COMPONENT.
 3. ITEM NUMBER VARIES ACCORDING TO THE REQUIRED EDGE DISTANCE. PLEASE CONTACT HILTI TO VERIFY ITEM NUMBERS FOR REQUIRED EDGE DISTANCES.

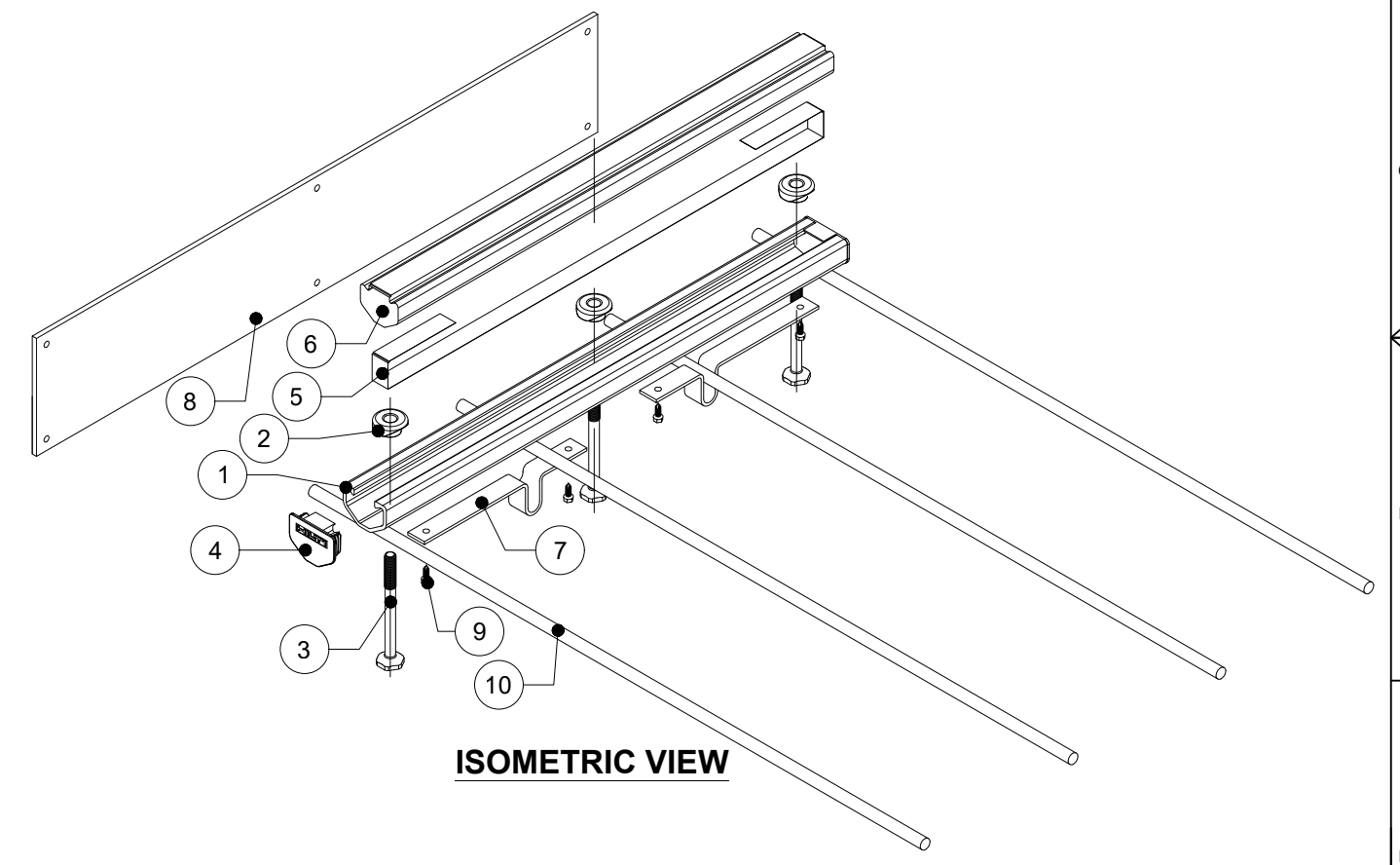
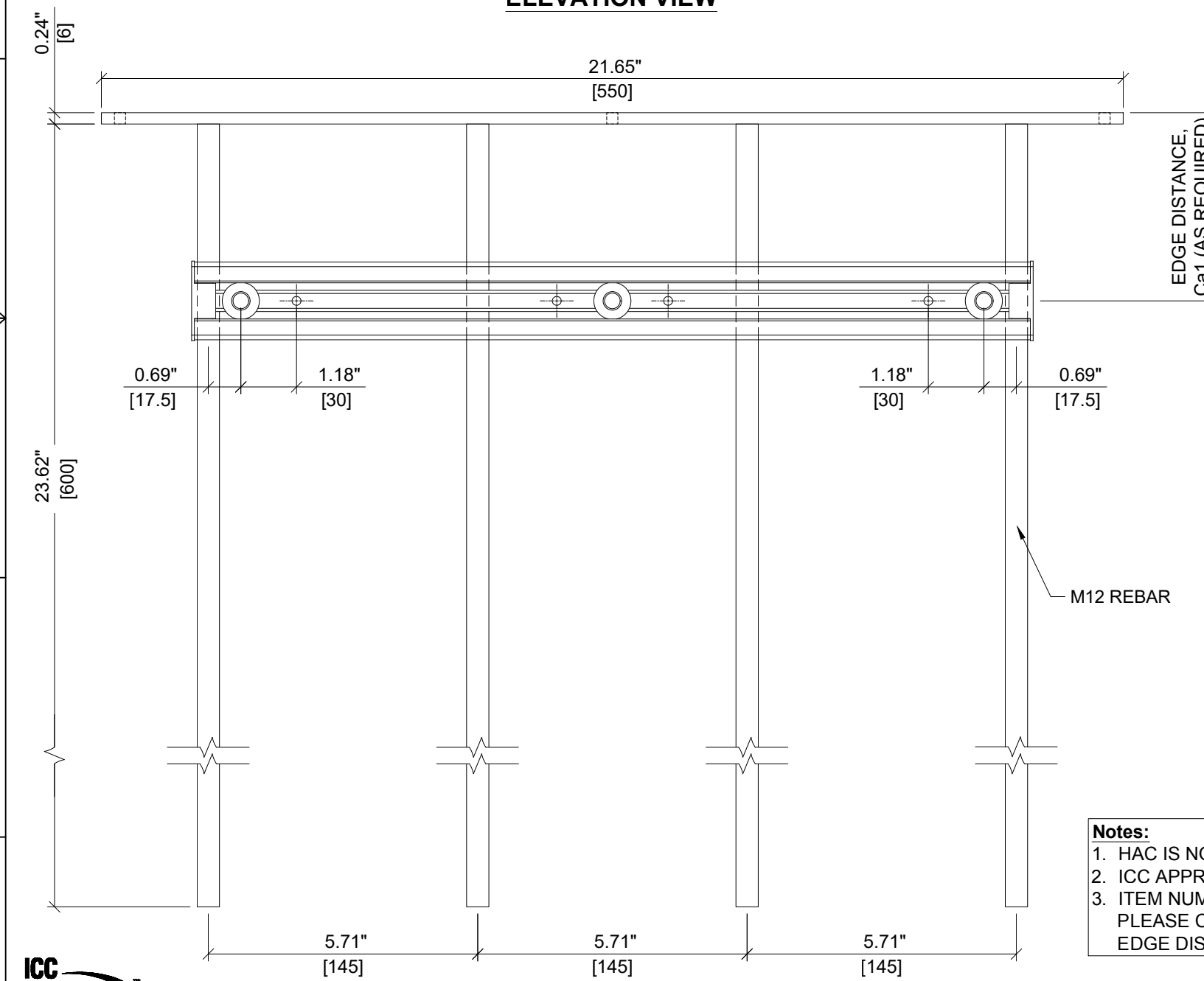
HILTI

ITEM NUMBER: <div style="font-size: 24px; font-weight: bold; text-align: center;">VARIES³</div>	CHANNEL LIP: <div style="font-size: 24px; font-weight: bold; text-align: center;">SMOOTH</div>
ITEM DESCRIPTION: <div style="font-size: 18px; font-weight: bold; text-align: center;">HAC-50 106/350 F EDGE C</div>	





ITEM	DESCRIPTION	QUANTITY
1	CHANNEL PROFILE	1
2	RIVET CONNECTION	3
3	ROUNDED HEADED ANCHOR	3
4	END CAP	2
5	TEAR OUT BAND	1
6	FILLER FOAM	1
7	STEEL STRAP	2
8	STEEL PLATE	1
9	SELF DRILL SCREW	4
10	M12 REBAR	4



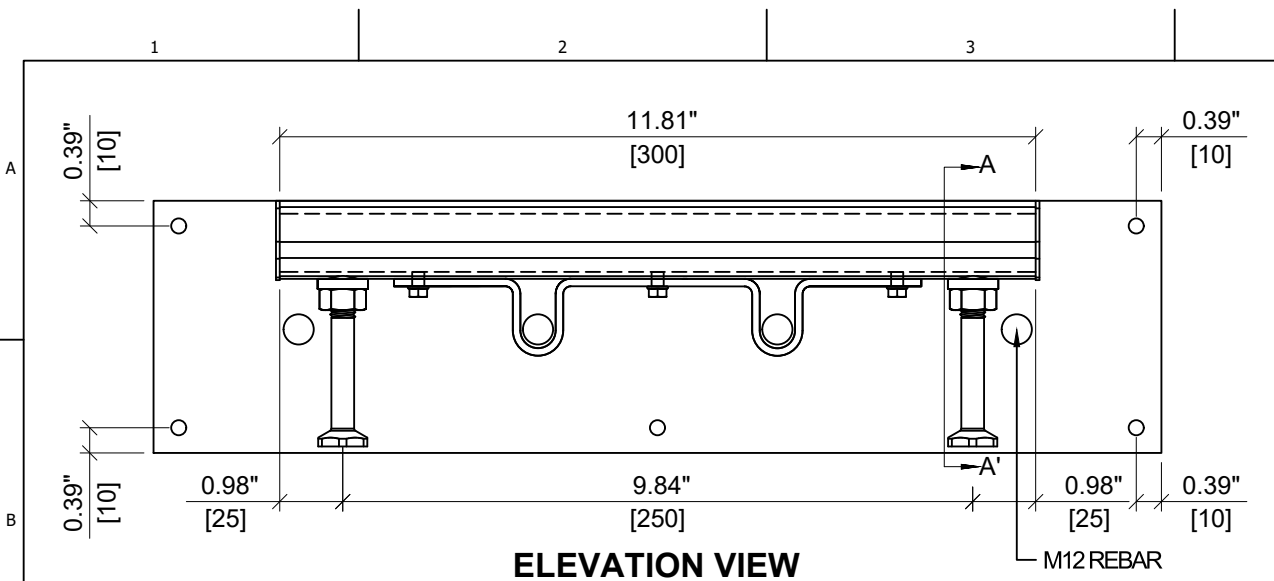
Notes:

- HAC IS NOT STRUCTURALLY CONNECTED TO STEEL PLATE OR REBAR.
- ICC APPROVAL APPLIES TO HILTI ANCHOR CHANNEL COMPONENT.
- ITEM NUMBER VARIES ACCORDING TO THE REQUIRED EDGE DISTANCE. PLEASE CONTACT HILTI TO VERIFY ITEM NUMBERS FOR REQUIRED EDGE DISTANCES.

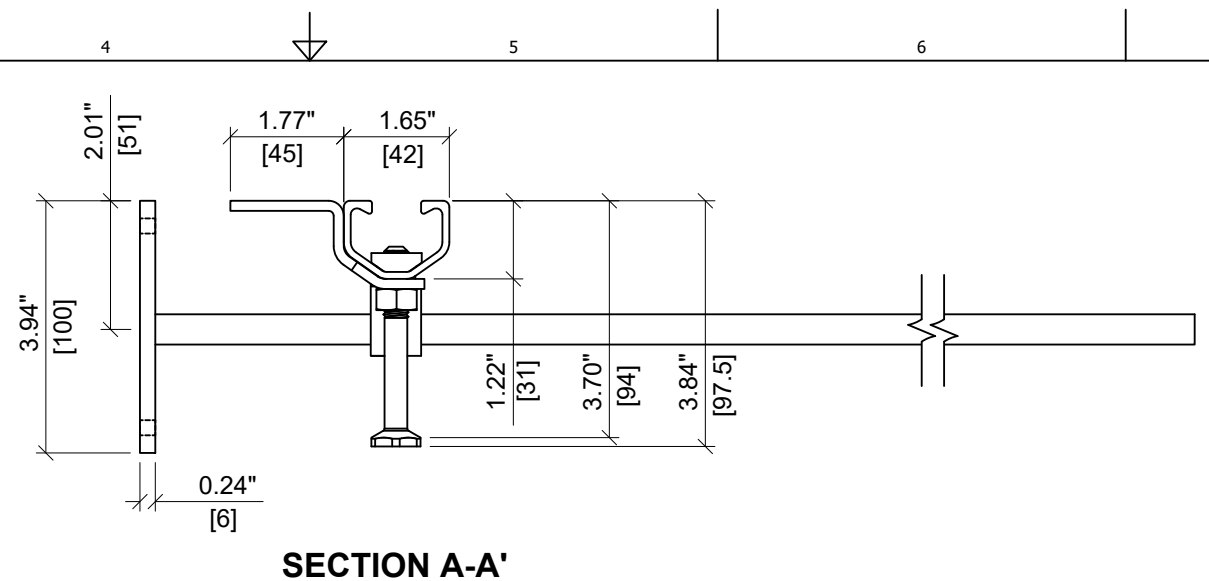


HILTI

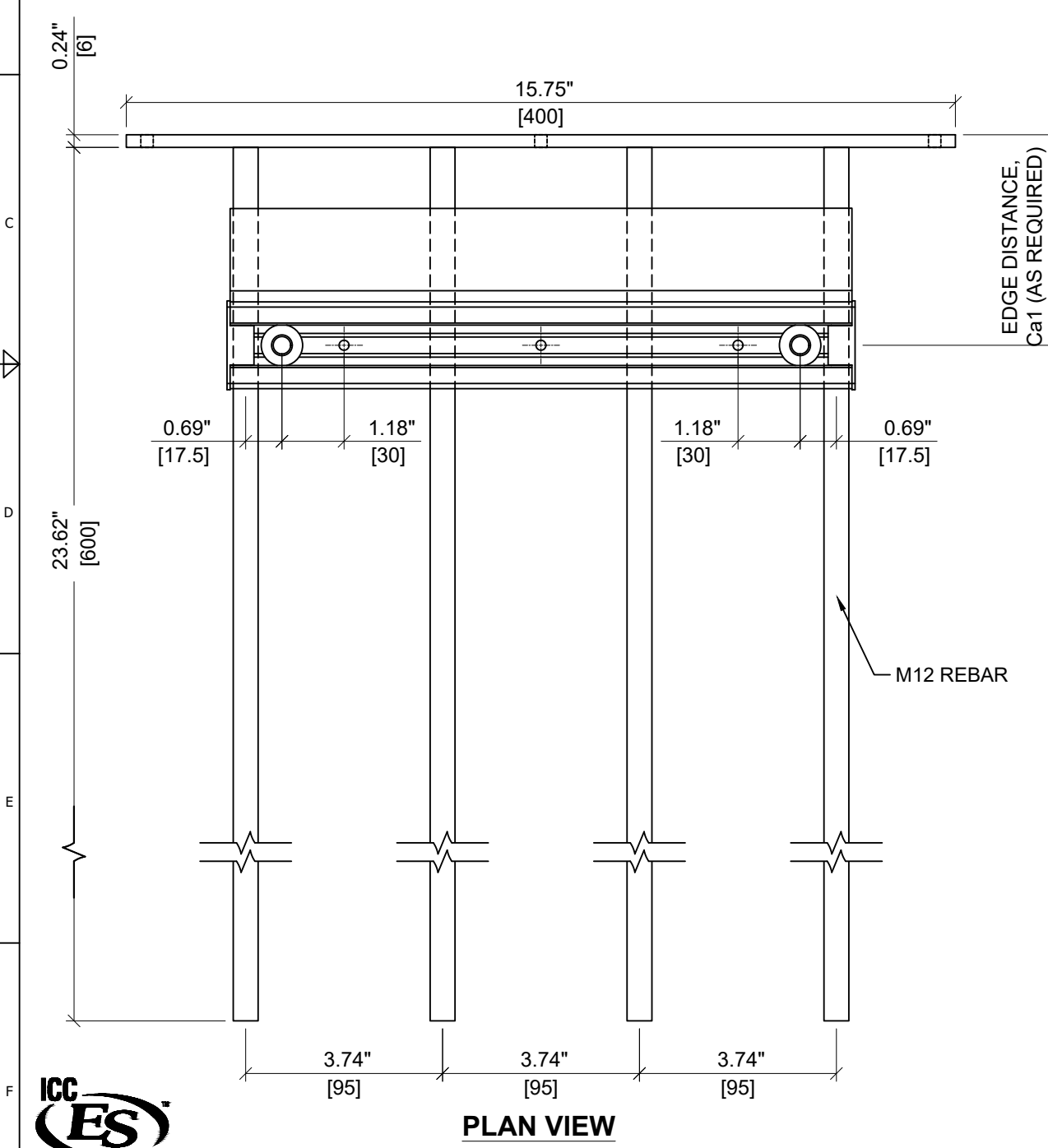
ITEM NUMBER: <div style="font-size: 24px; font-weight: bold; text-align: center;">VARIES³</div>	CHANNEL LIP: <div style="font-size: 24px; font-weight: bold; text-align: center;">SMOOTH</div>
ITEM DESCRIPTION: <div style="font-size: 18px; font-weight: bold; text-align: center;">HAC-50 106/450 F EDGE C</div>	



ELEVATION VIEW

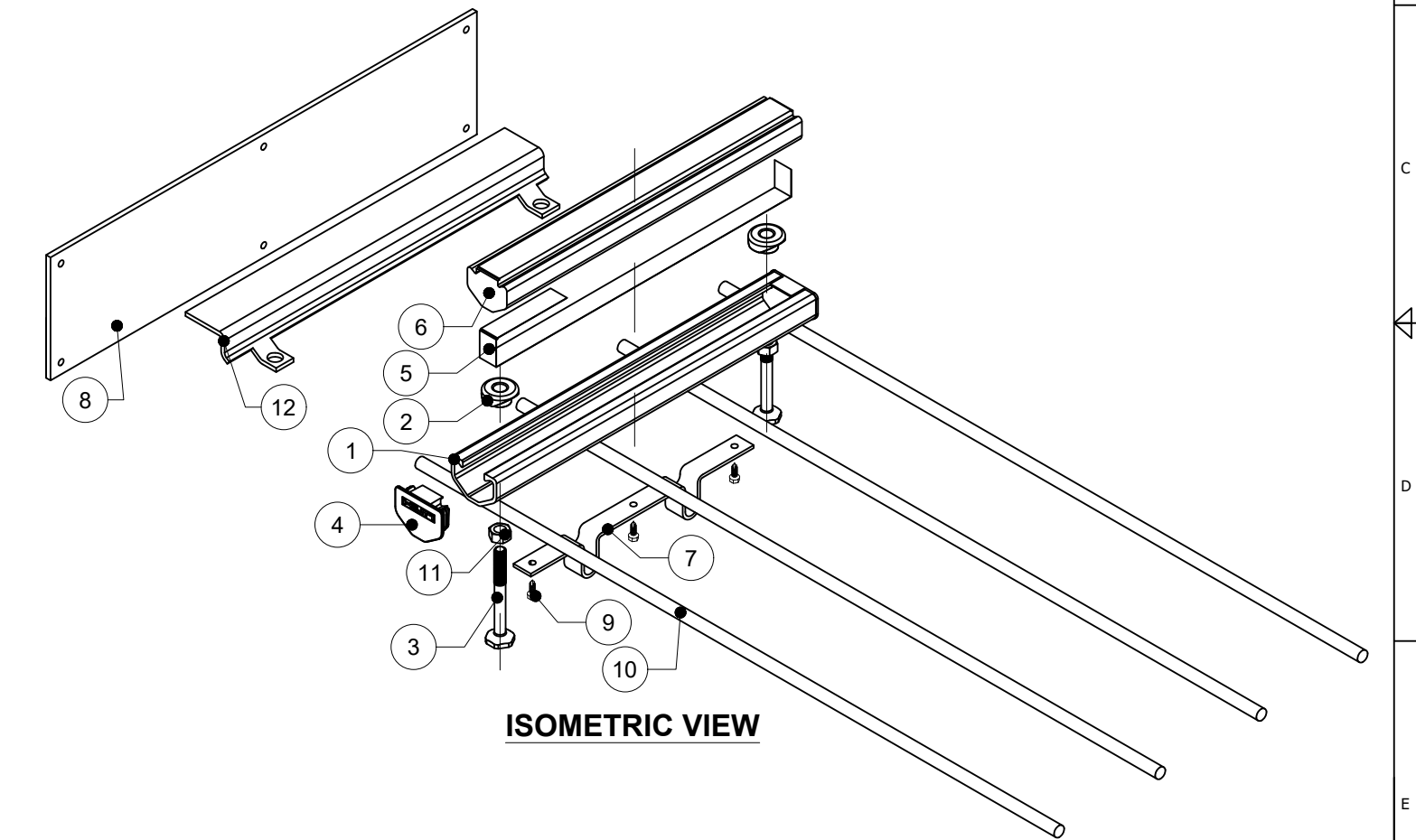


SECTION A-A'



PLAN VIEW

ITEM	DESCRIPTION	QUANTITY
1	CHANNEL PROFILE	1
2	RIVET CONNECTION	2
3	ROUNDED HEADED ANCHOR	2
4	END CAP	2
5	TEAR OUT BAND	1
6	FILLER FOAM	1
7	STEEL STRAP	1
8	STEEL PLATE	1
9	SELF DRILL SCREW	3
10	M12 REBAR	4
11	NUT	2
12	S BRACKET	1



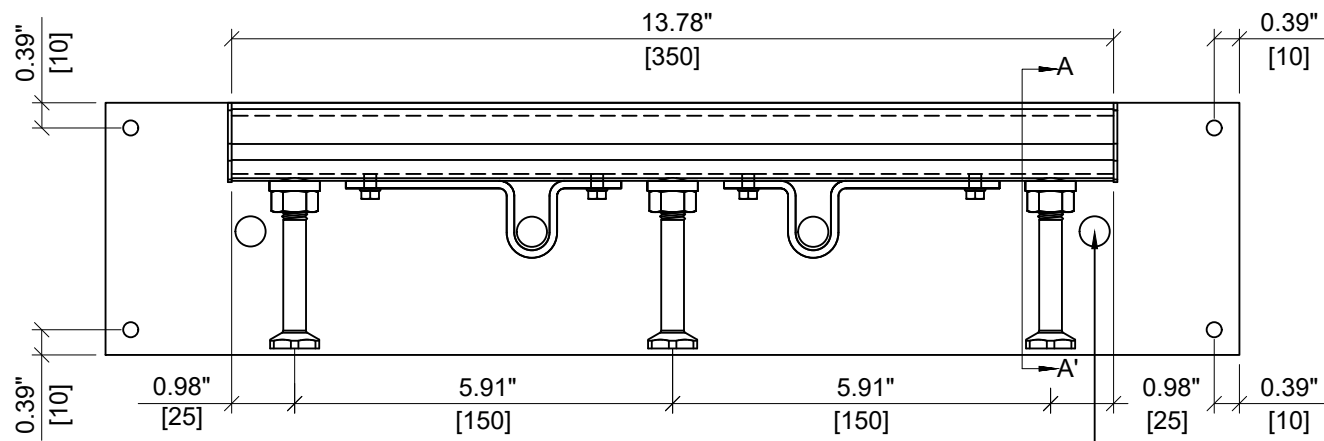
ISOMETRIC VIEW

Notes:
 1. HAC IS NOT STRUCTURALLY CONNECTED TO STEEL PLATE OR REBAR.
 2. ICC APPROVAL APPLIES TO HILTI ANCHOR CHANNEL COMPONENT.
 3. ITEM NUMBER VARIES ACCORDING TO THE REQUIRED EDGE DISTANCE. PLEASE CONTACT HILTI TO VERIFY ITEM NUMBERS FOR REQUIRED EDGE DISTANCES.

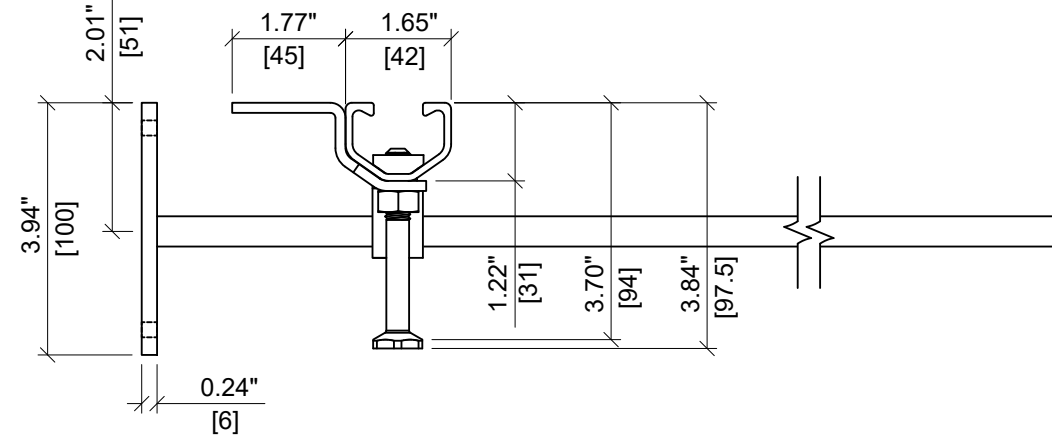
HILTI

ITEM NUMBER: VARIES³	CHANNEL LIP: SMOOTH
ITEM DESCRIPTION: HAC-50 S 94/300 F EDGE C	



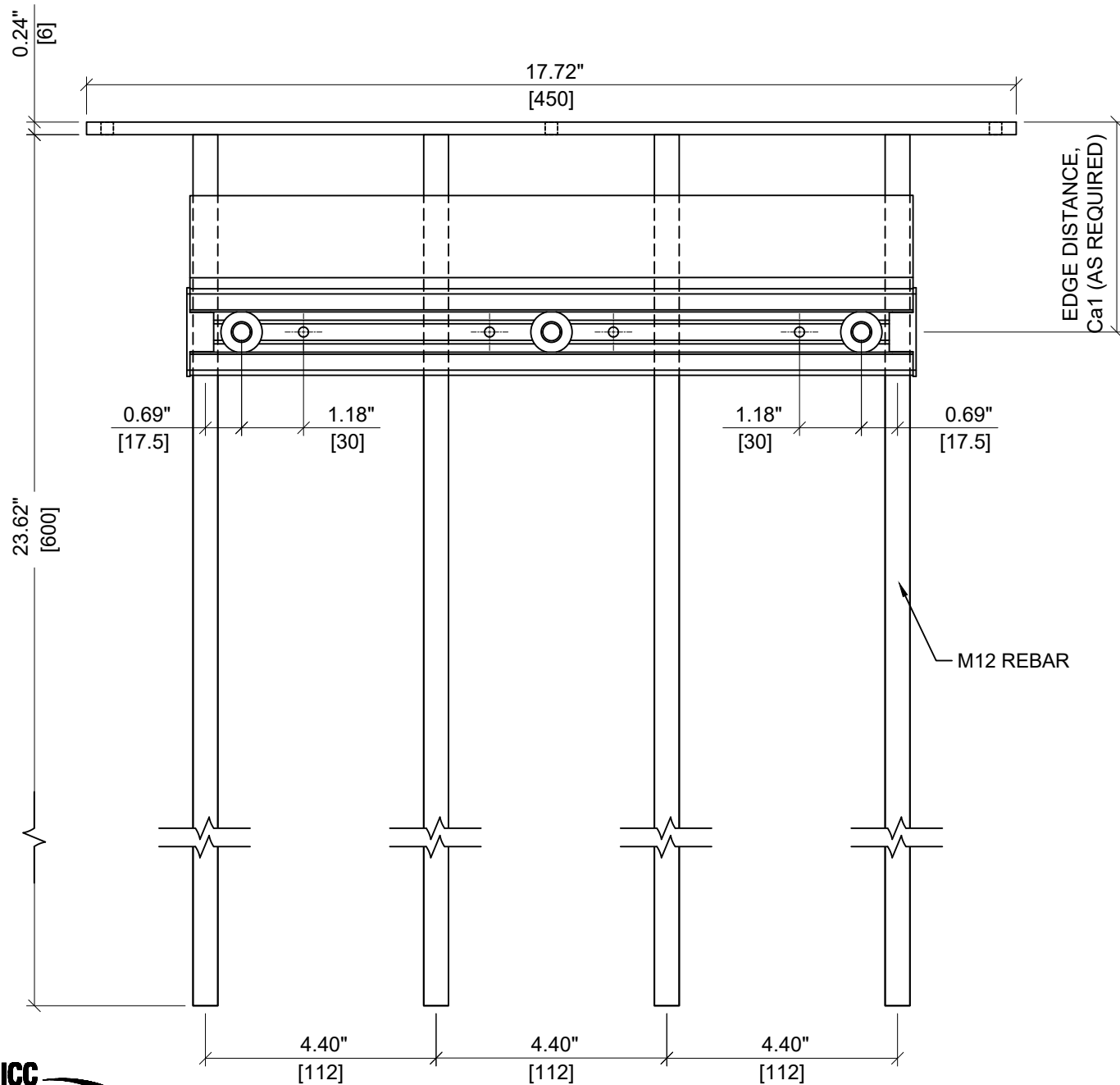


ELEVATION VIEW

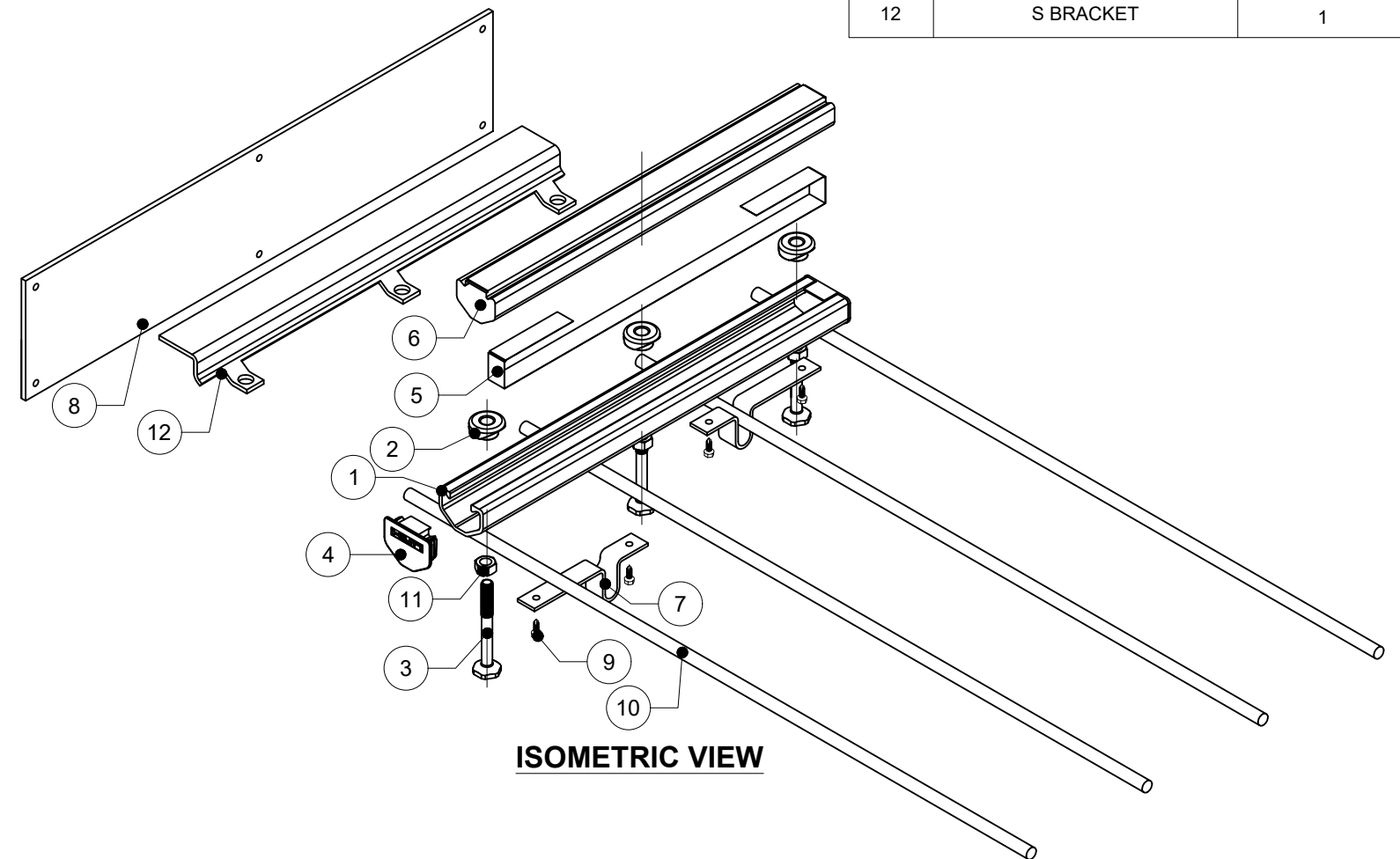


SECTION A-A'

ITEM	DESCRIPTION	QUANTITY
1	CHANNEL PROFILE	1
2	RIVET CONNECTION	3
3	ROUNDED HEADED ANCHOR	3
4	END CAP	2
5	TEAR OUT BAND	1
6	FILLER FOAM	1
7	STEEL STRAP	2
8	STEEL PLATE	1
9	SELF DRILL SCREW	4
10	M12 REBAR	4
11	NUT	3
12	S BRACKET	1



PLAN VIEW



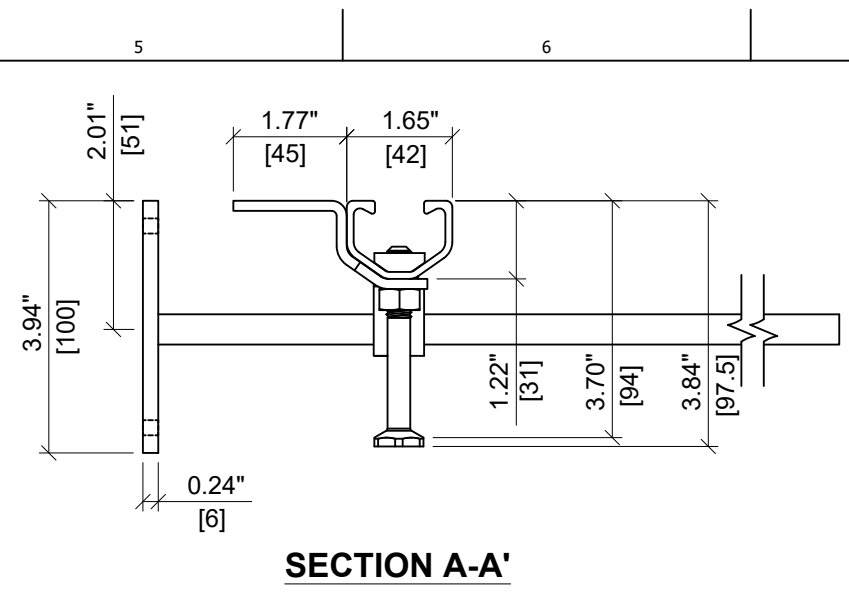
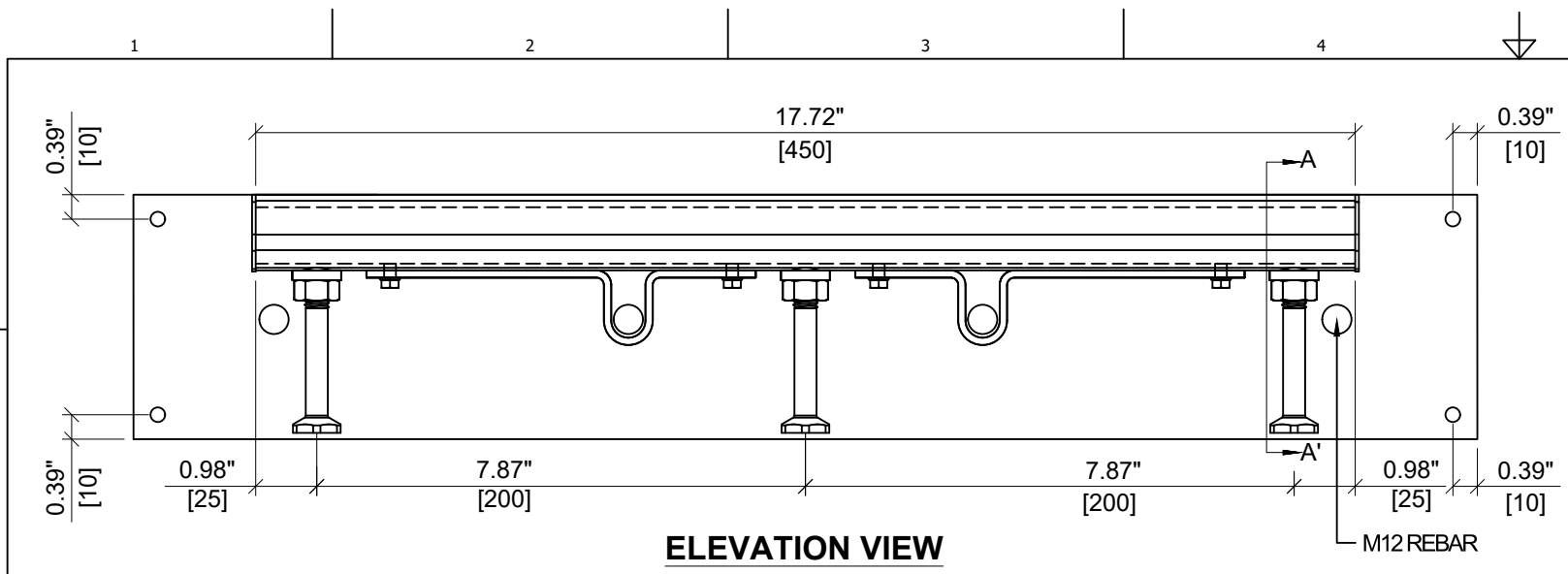
ISOMETRIC VIEW

Notes:
 1. HAC IS NOT STRUCTURALLY CONNECTED TO STEEL PLATE OR REBAR.
 2. ICC APPROVAL APPLIES TO HILTI ANCHOR CHANNEL COMPONENT.
 3. ITEM NUMBER VARIES ACCORDING TO THE REQUIRED EDGE DISTANCE. PLEASE CONTACT HILTI TO VERIFY ITEM NUMBERS FOR REQUIRED EDGE DISTANCES.

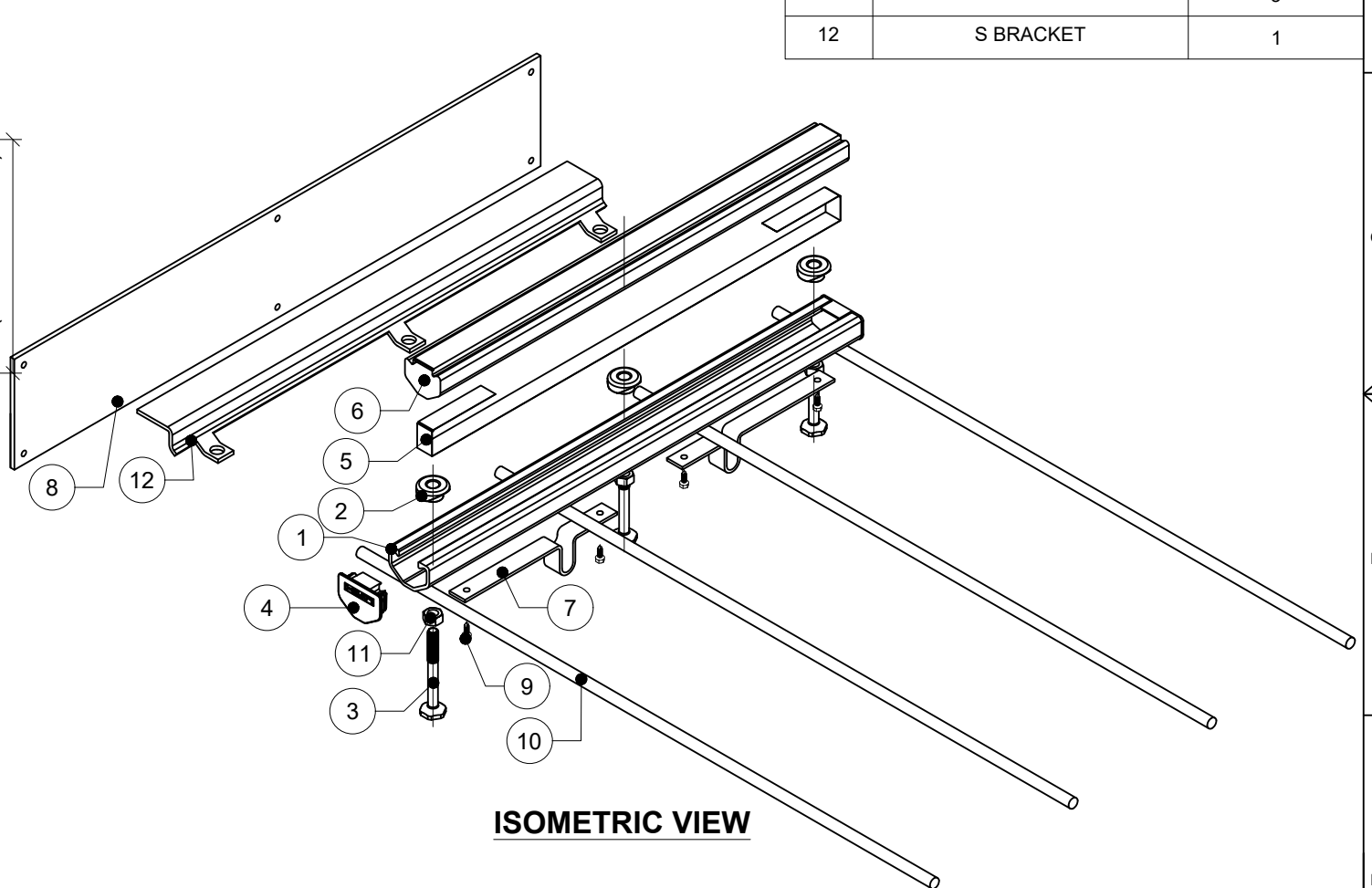
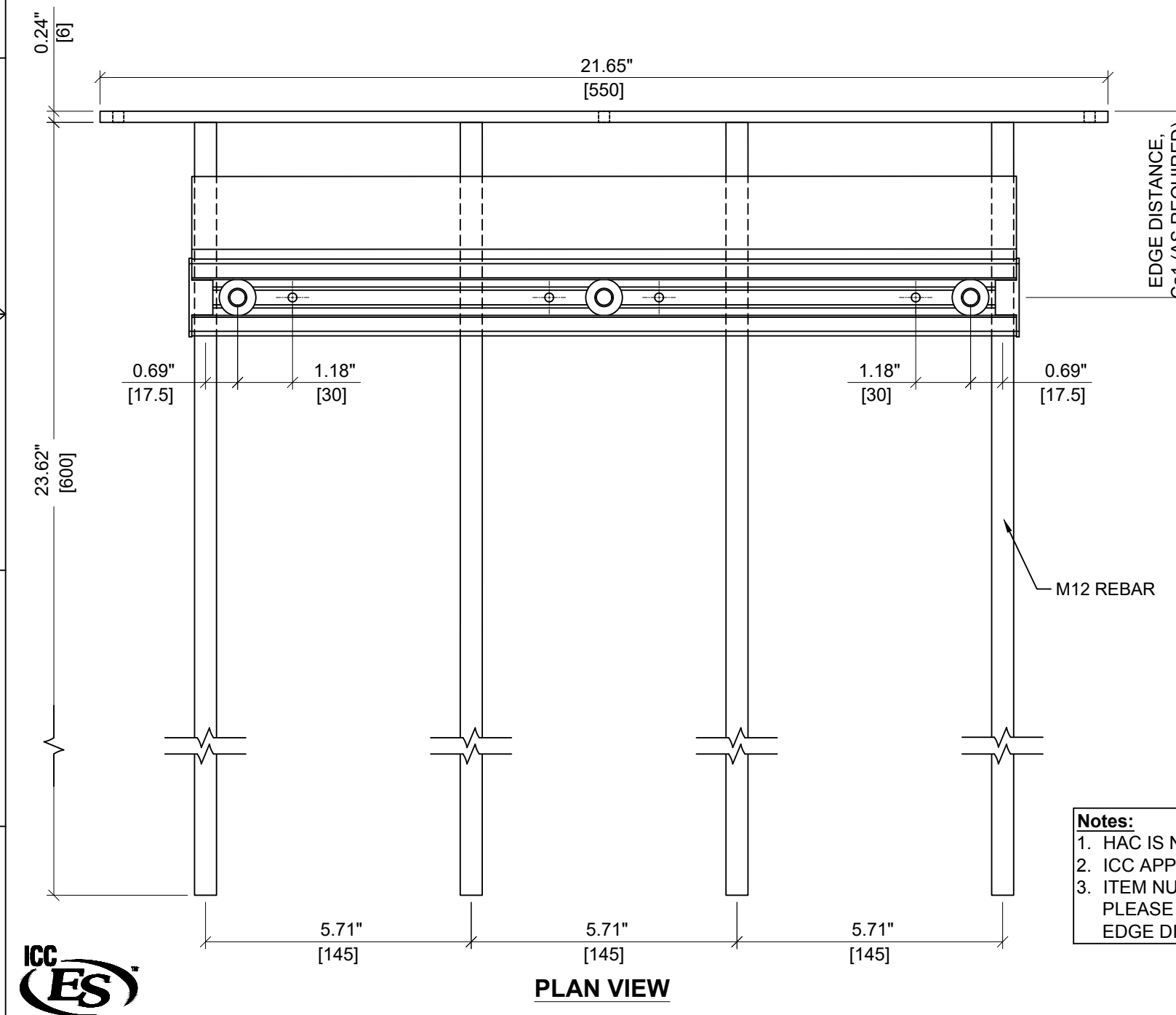
HILTI

ITEM NUMBER: <div style="font-size: 24px; font-weight: bold; text-align: center;">VARIES³</div>	CHANNEL LIP: <div style="font-size: 24px; font-weight: bold; text-align: center;">SMOOTH</div>
ITEM DESCRIPTION: <div style="font-size: 18px; font-weight: bold; text-align: center;">HAC-50 S 94/350 F EDGE C</div>	





ITEM	DESCRIPTION	QUANTITY
1	CHANNEL PROFILE	1
2	RIVET CONNECTION	3
3	ROUNDED HEADED ANCHOR	3
4	END CAP	2
5	TEAR OUT BAND	1
6	FILLER FOAM	1
7	STEEL STRAP	2
8	STEEL PLATE	1
9	SELF DRILL SCREW	4
10	M12 REBAR	4
11	NUT	3
12	S BRACKET	1

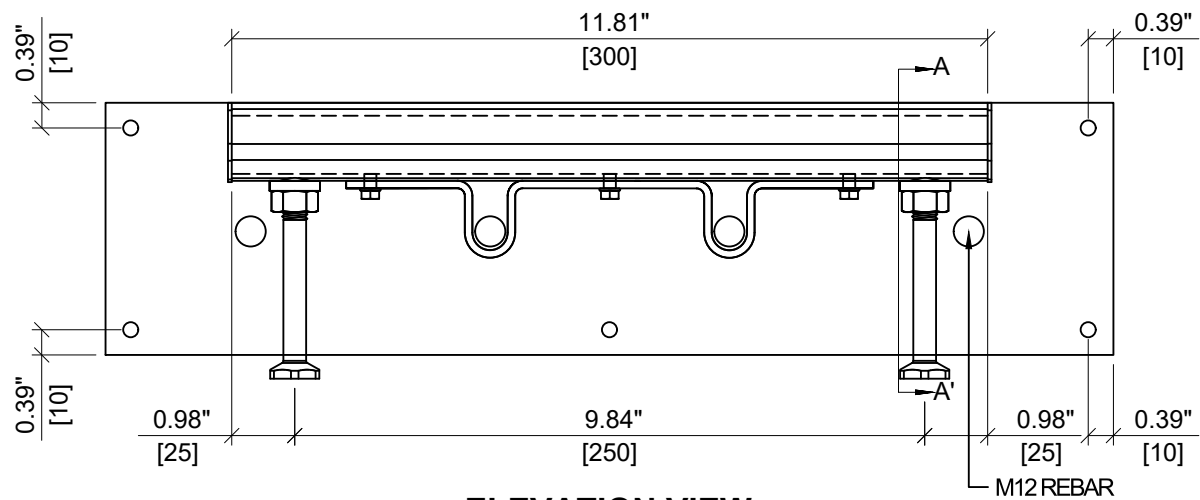


Notes:
 1. HAC IS NOT STRUCTURALLY CONNECTED TO STEEL PLATE OR REBAR.
 2. ICC APPROVAL APPLIES TO HILTI ANCHOR CHANNEL COMPONENT.
 3. ITEM NUMBER VARIES ACCORDING TO THE REQUIRED EDGE DISTANCE. PLEASE CONTACT HILTI TO VERIFY ITEM NUMBERS FOR REQUIRED EDGE DISTANCES.

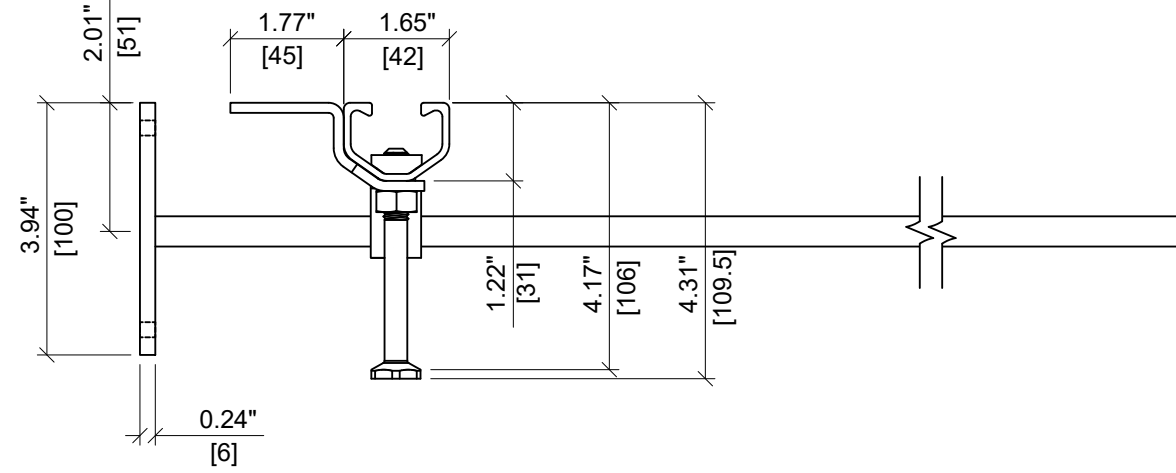


HILTI

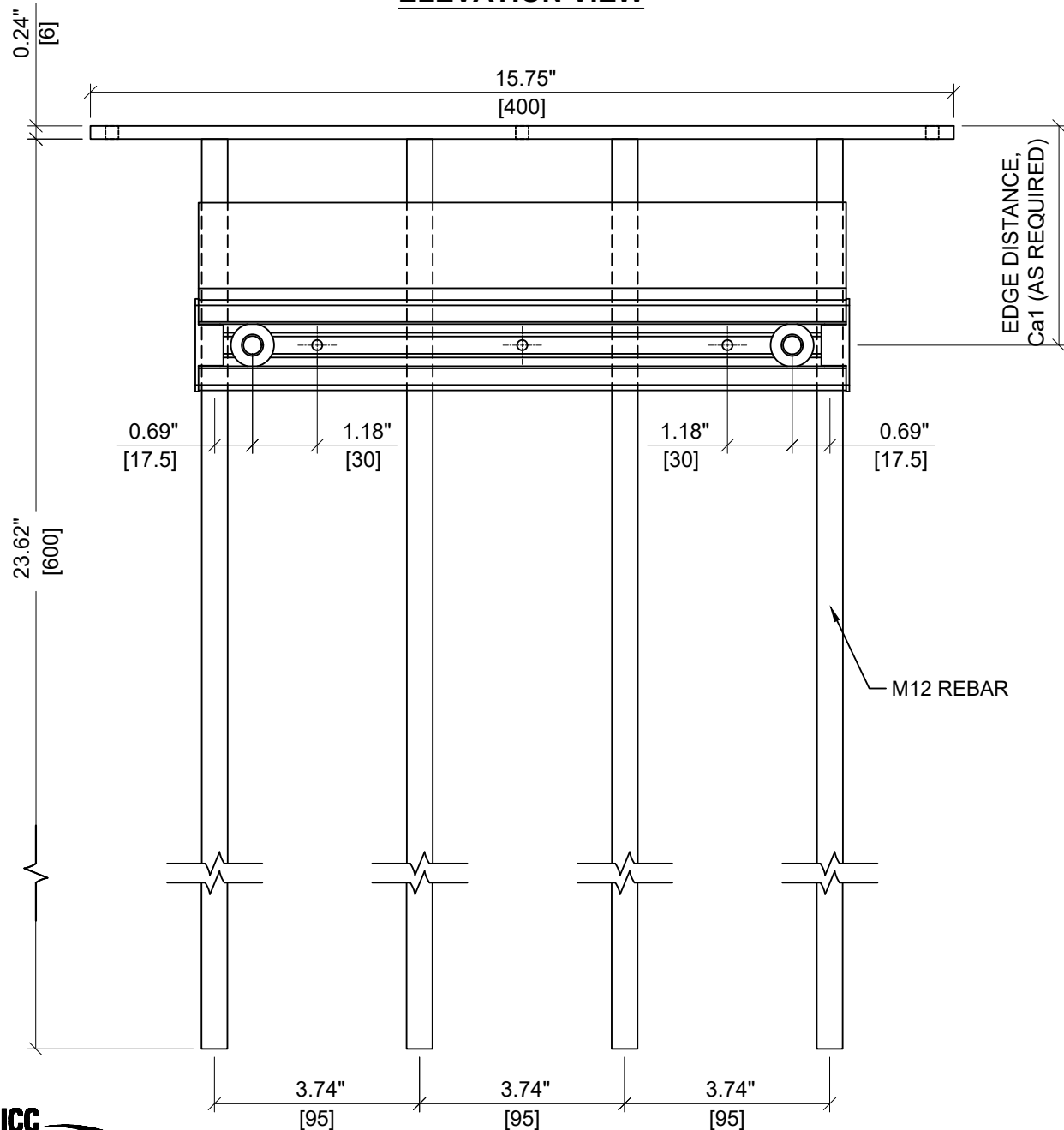
ITEM NUMBER: VARIES³	CHANNEL LIP: SMOOTH
ITEM DESCRIPTION: HAC-50 S 94/450 F EDGE C	



ELEVATION VIEW

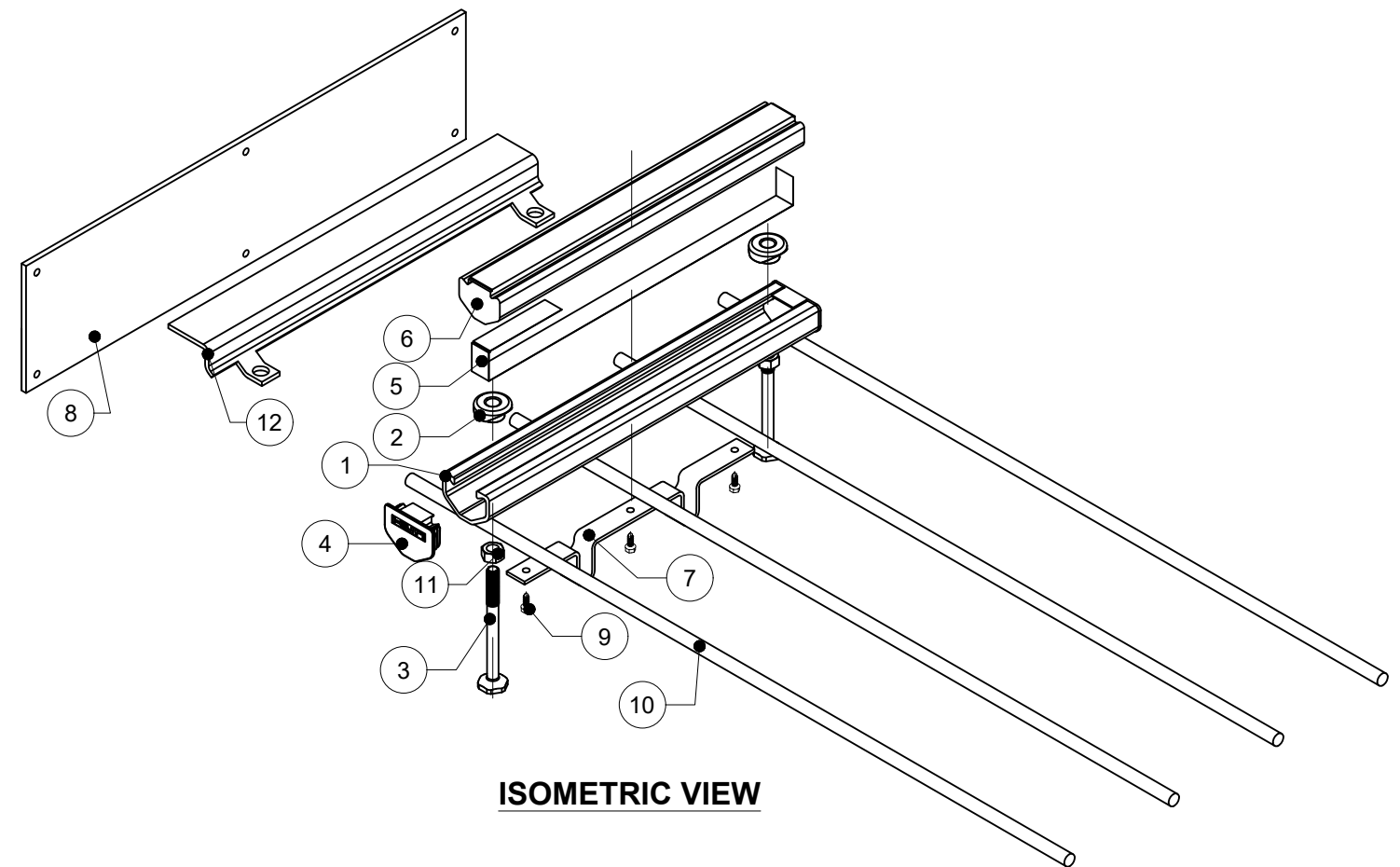


SECTION A-A'



PLAN VIEW

ITEM	DESCRIPTION	QUANTITY
1	CHANNEL PROFILE	1
2	RIVET CONNECTION	2
3	ROUNDED HEADED ANCHOR	2
4	END CAP	2
5	TEAR OUT BAND	1
6	FILLER FOAM	1
7	STEEL STRAP	1
8	STEEL PLATE	1
9	SELF DRILL SCREW	3
10	M12 REBAR	4
11	NUT	2
12	S BRACKET	1



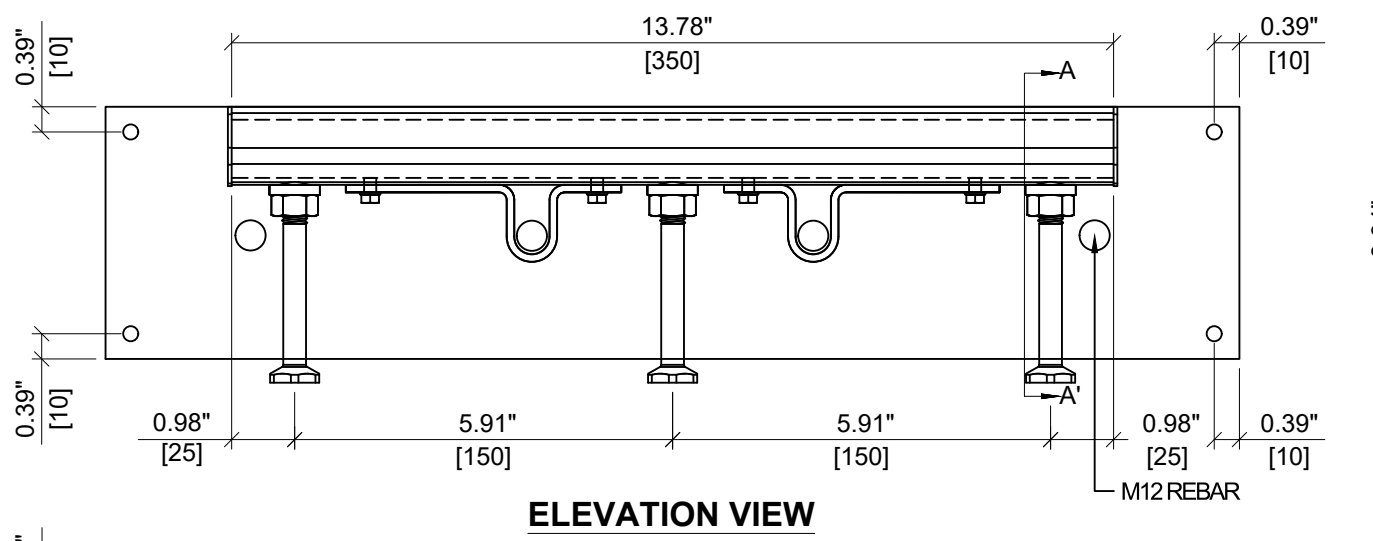
ISOMETRIC VIEW

Notes:
 1. HAC IS NOT STRUCTURALLY CONNECTED TO STEEL PLATE OR REBAR.
 2. ICC APPROVAL APPLIES TO HILTI ANCHOR CHANNEL COMPONENT.
 3. ITEM NUMBER VARIES ACCORDING TO THE REQUIRED EDGE DISTANCE. PLEASE CONTACT HILTI TO VERIFY ITEM NUMBERS FOR REQUIRED EDGE DISTANCES.

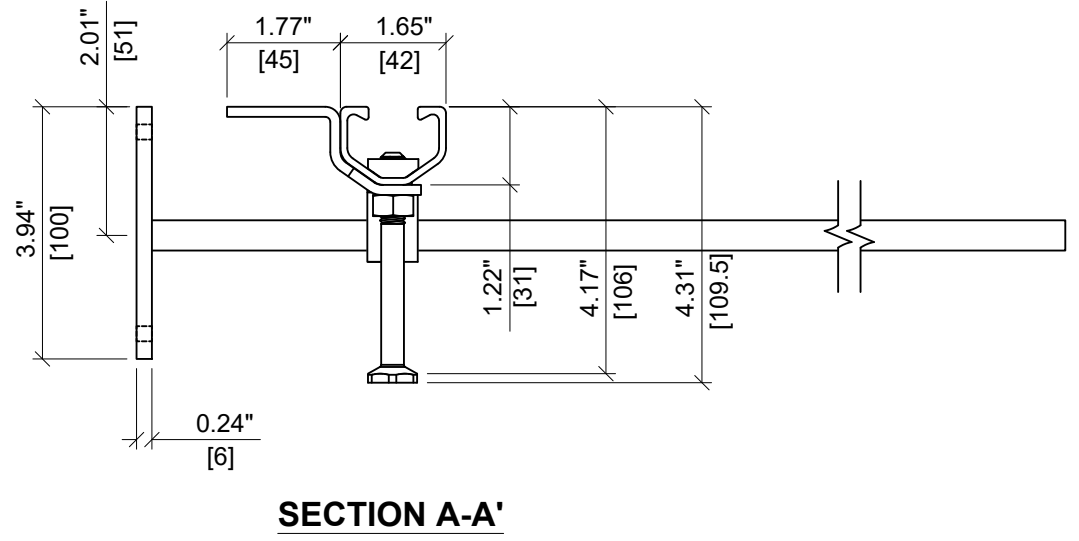
HILTI

ITEM NUMBER: <div style="font-size: 24px; font-weight: bold; text-align: center;">VARIES³</div>	CHANNEL LIP: <div style="font-size: 24px; font-weight: bold; text-align: center;">SMOOTH</div>
ITEM DESCRIPTION: <div style="font-size: 18px; font-weight: bold; text-align: center;">HAC-50 S 106/300 F EDGE C</div>	

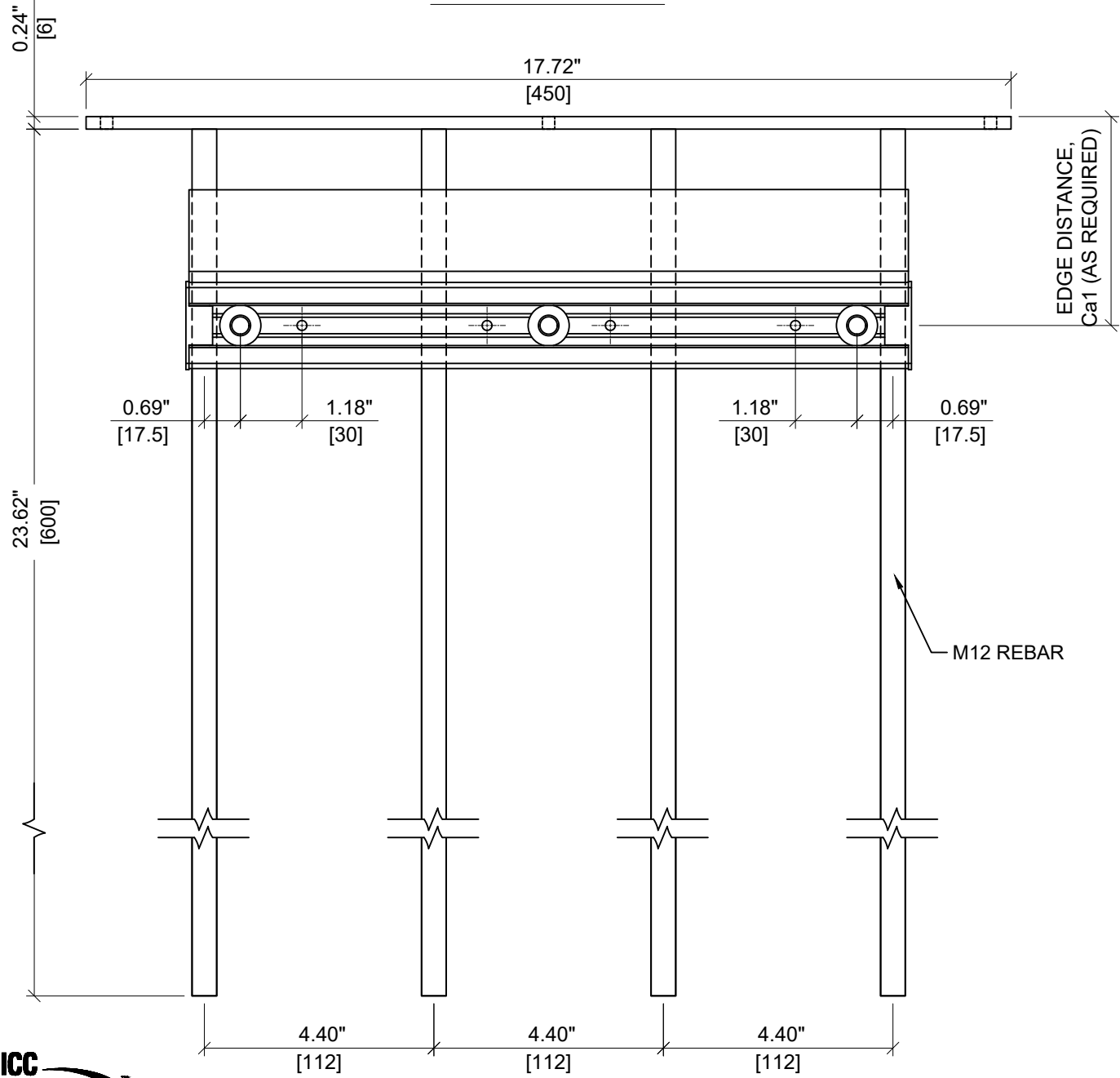




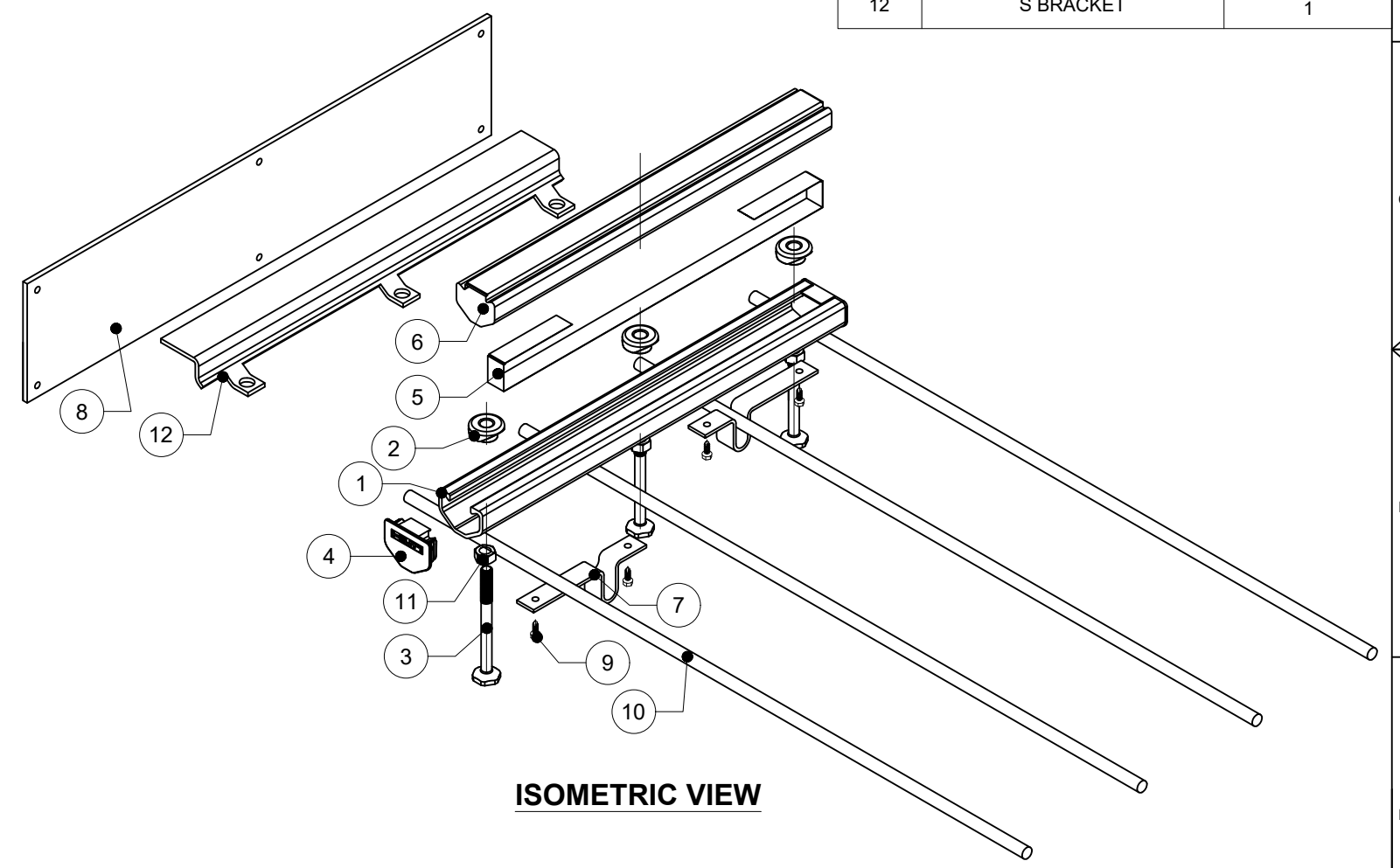
ELEVATION VIEW



SECTION A-A'



PLAN VIEW



ISOMETRIC VIEW

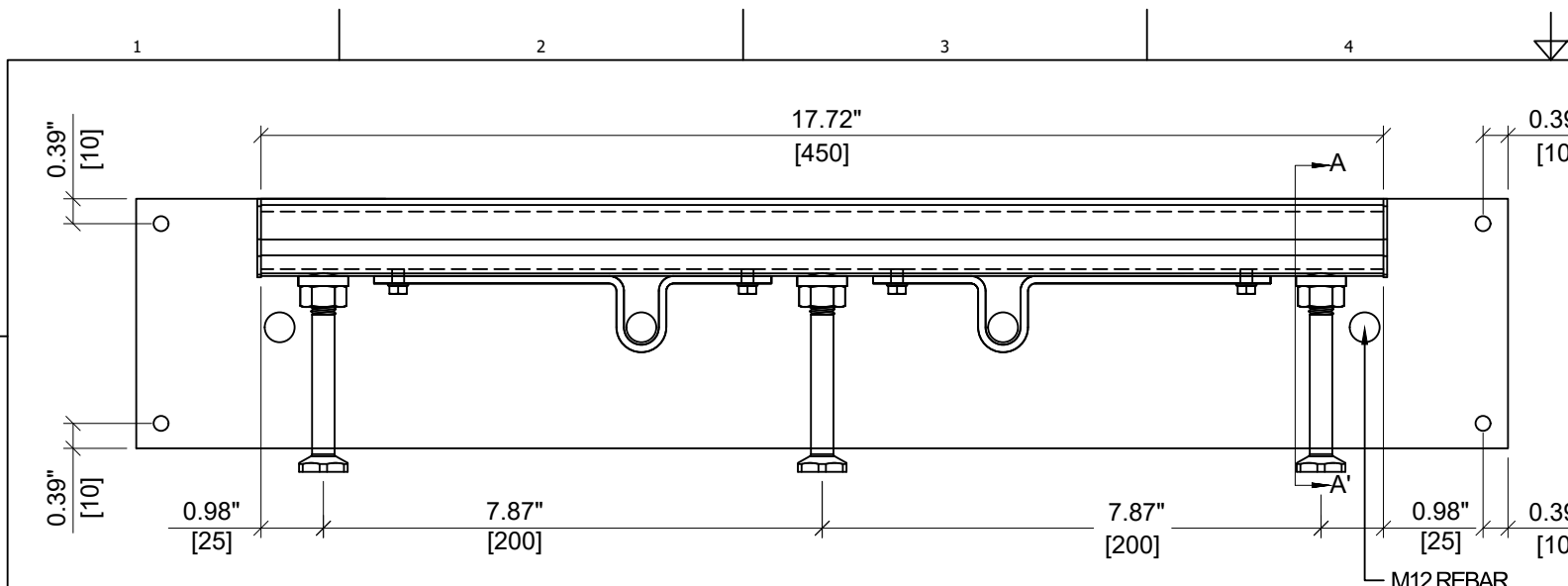
ITEM	DESCRIPTION	QUANTITY
1	CHANNEL PROFILE	1
2	RIVET CONNECTION	3
3	ROUNDED HEADED ANCHOR	3
4	END CAP	2
5	TEAR OUT BAND	1
6	FILLER FOAM	1
7	STEEL STRAP	2
8	STEEL PLATE	1
9	SELF DRILL SCREW	4
10	M12 REBAR	4
11	NUT	3
12	S BRACKET	1

Notes:
 1. HAC IS NOT STRUCTURALLY CONNECTED TO STEEL PLATE OR REBAR.
 2. ICC APPROVAL APPLIES TO HILTI ANCHOR CHANNEL COMPONENT.
 3. ITEM NUMBER VARIES ACCORDING TO THE REQUIRED EDGE DISTANCE. PLEASE CONTACT HILTI TO VERIFY ITEM NUMBERS FOR REQUIRED EDGE DISTANCES.

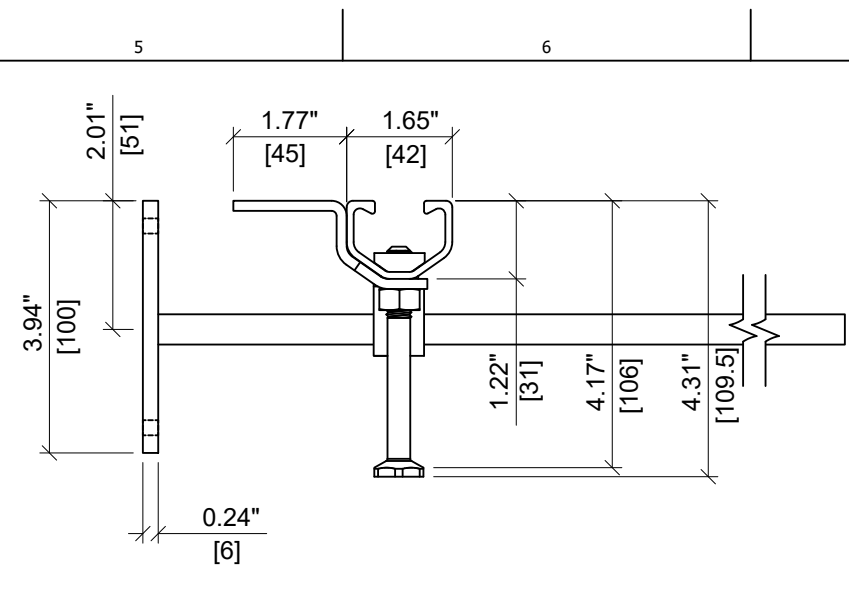
HILTI

ITEM NUMBER: <p style="font-size: 18px; font-weight: bold;">VARIES³</p>	CHANNEL LIP: <p style="font-size: 18px; font-weight: bold;">SMOOTH</p>
ITEM DESCRIPTION: <p style="font-size: 16px; font-weight: bold;">HAC-50 S 106/350 F EDGE C</p>	

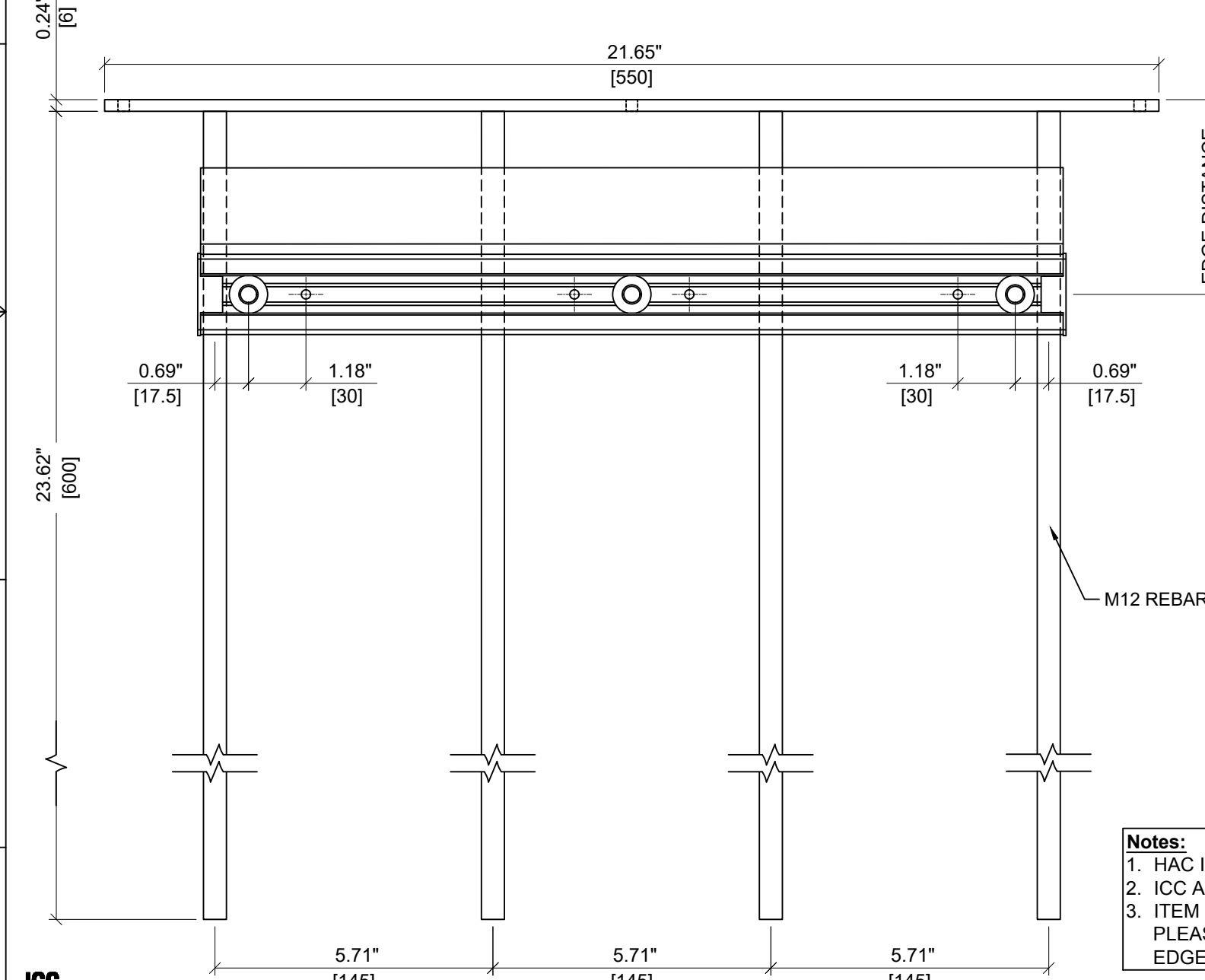




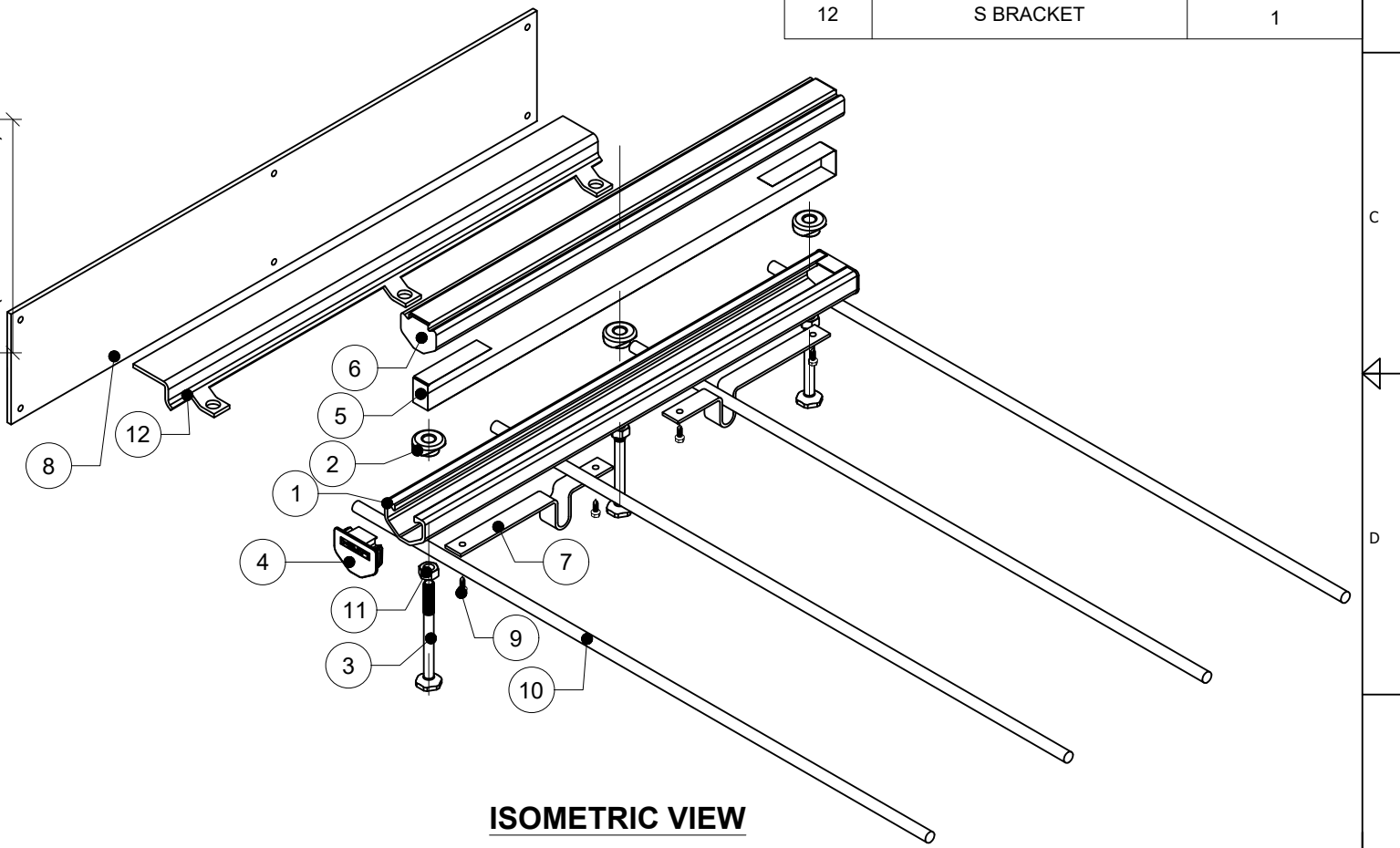
ELEVATION VIEW



SECTION A-A'



PLAN VIEW



ISOMETRIC VIEW

ITEM	DESCRIPTION	QUANTITY
1	CHANNEL PROFILE	1
2	RIVET CONNECTION	3
3	ROUNDED HEADED ANCHOR	3
4	END CAP	2
5	TEAR OUT BAND	1
6	FILLER FOAM	1
7	STEEL STRAP	2
8	STEEL PLATE	1
9	SELF DRILL SCREW	4
10	M12 REBAR	4
11	NUT	3
12	S BRACKET	1

Notes:
 1. HAC IS NOT STRUCTURALLY CONNECTED TO STEEL PLATE OR REBAR.
 2. ICC APPROVAL APPLIES TO HILTI ANCHOR CHANNEL COMPONENT.
 3. ITEM NUMBER VARIES ACCORDING TO THE REQUIRED EDGE DISTANCE. PLEASE CONTACT HILTI TO VERIFY ITEM NUMBERS FOR REQUIRED EDGE DISTANCES.



HILTI

ITEM NUMBER: <p style="font-size: 18px; font-weight: bold;">VARIES³</p>	CHANNEL LIP: <p style="font-size: 18px; font-weight: bold;">SMOOTH</p>
ITEM DESCRIPTION: <p style="font-size: 16px; font-weight: bold;">HAC-50 S 106/450 F EDGE C</p>	