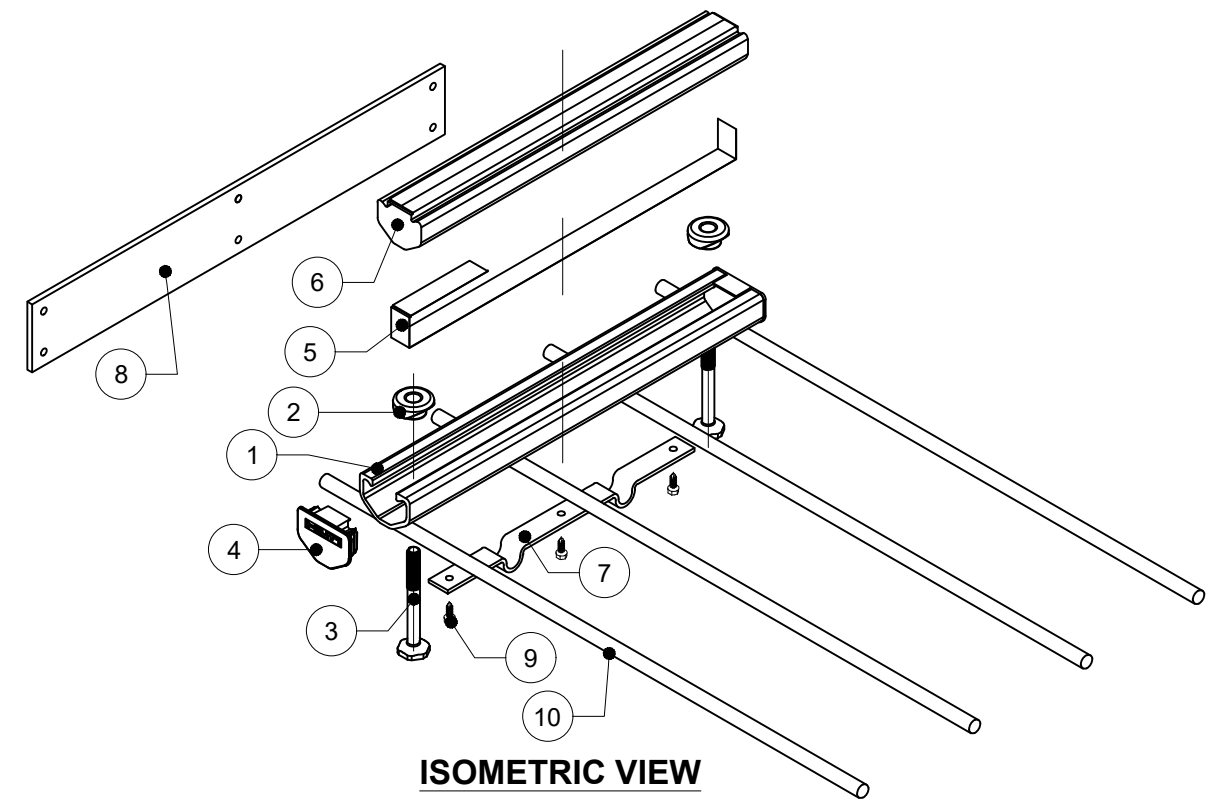
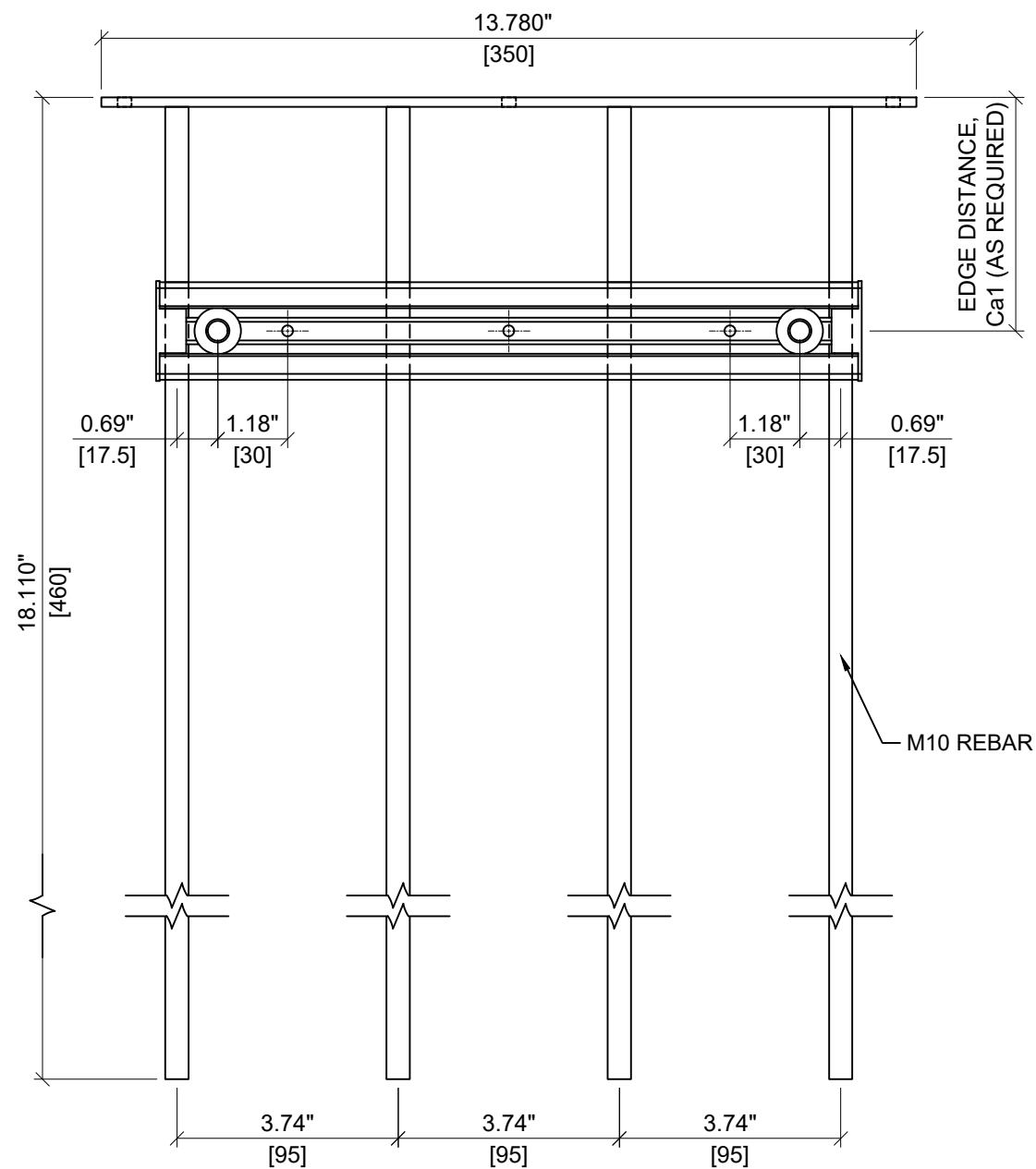


| ITEM | DESCRIPTION | QUANTITY |
|------|-----------------------|----------|
| 1 | CHANNEL PROFILE | 1 |
| 2 | RIVET CONNECTION | 2 |
| 3 | ROUNDED HEADED ANCHOR | 2 |
| 4 | END CAP | 2 |
| 5 | TEAR OUT BAND | 1 |
| 6 | FILLER FOAM | 1 |
| 7 | STEEL STRAP | 1 |
| 8 | STEEL PLATE | 1 |
| 9 | SELF DRILL SCREW | 3 |
| 10 | M10 REBAR | 4 |



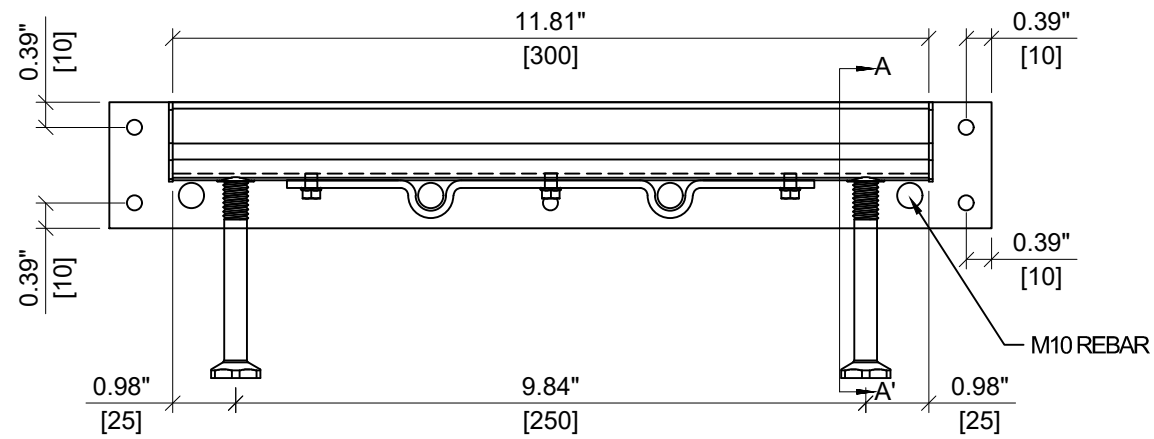
Notes:

- HAC IS NOT STRUCTURALLY CONNECTED TO STEEL PLATE OR REBAR.
- ICC APPROVAL APPLIES TO HILTI ANCHOR CHANNEL COMPONENT.
- ITEM NUMBER VARIES ACCORDING TO THE REQUIRED EDGE DISTANCE. PLEASE CONTACT HILTI TO VERIFY ITEM NUMBERS FOR REQUIRED EDGE DISTANCES.

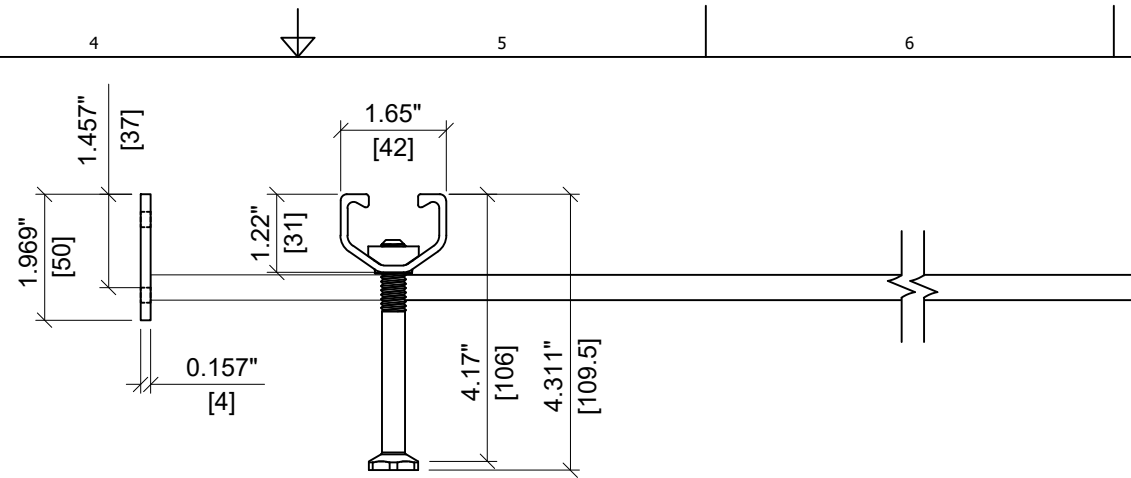
HILTI

| | |
|---|---|
| ITEM NUMBER: <div style="font-size: 24px; font-weight: bold; text-align: center;">VARIES³</div> | CHANNEL LIP: <div style="font-size: 24px; font-weight: bold; text-align: center;">SMOOTH</div> |
| ITEM DESCRIPTION: <div style="font-weight: bold; text-align: center;">HAC-50 94/300 F EDGE LITE</div> | |



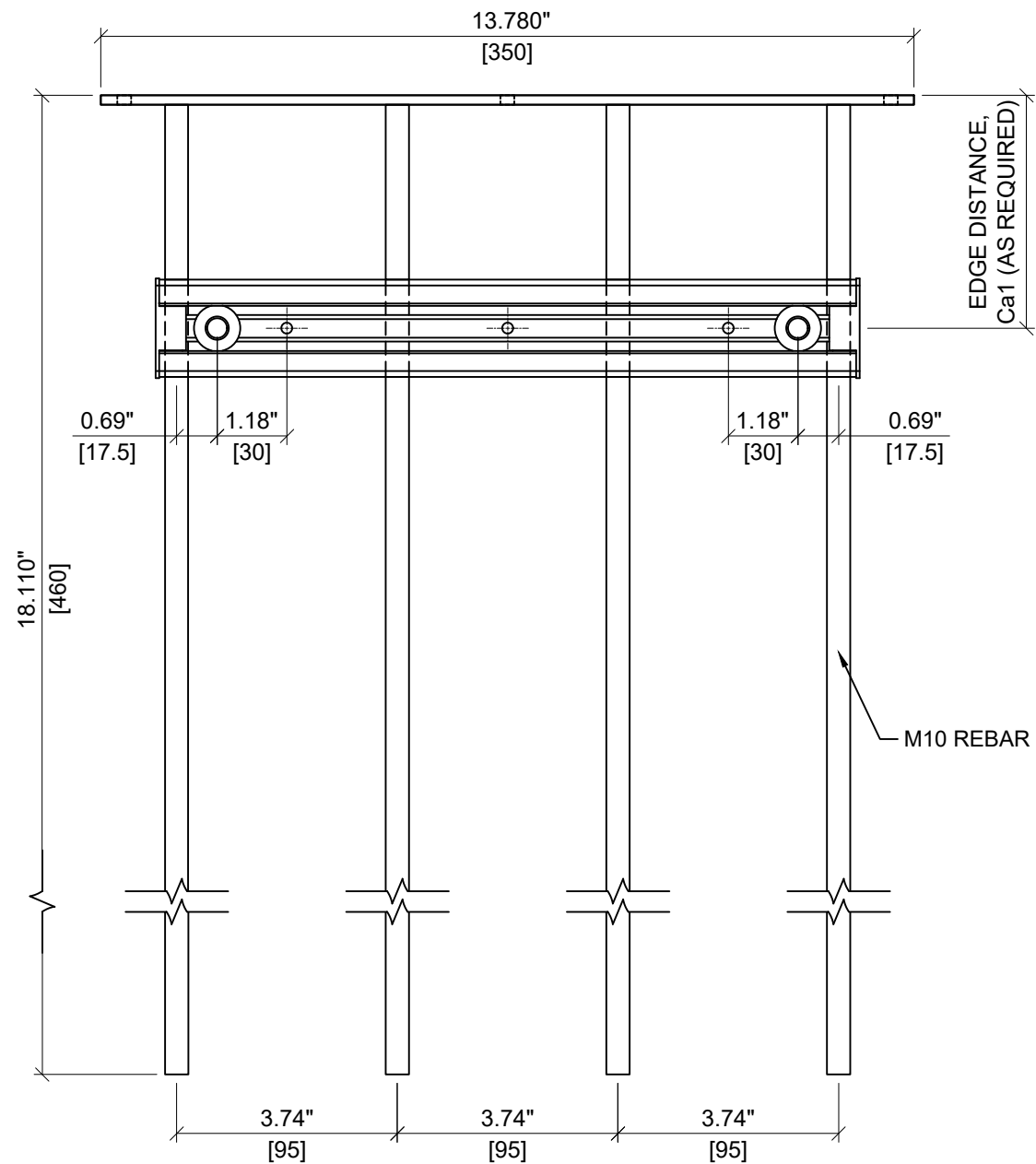


ELEVATION VIEW

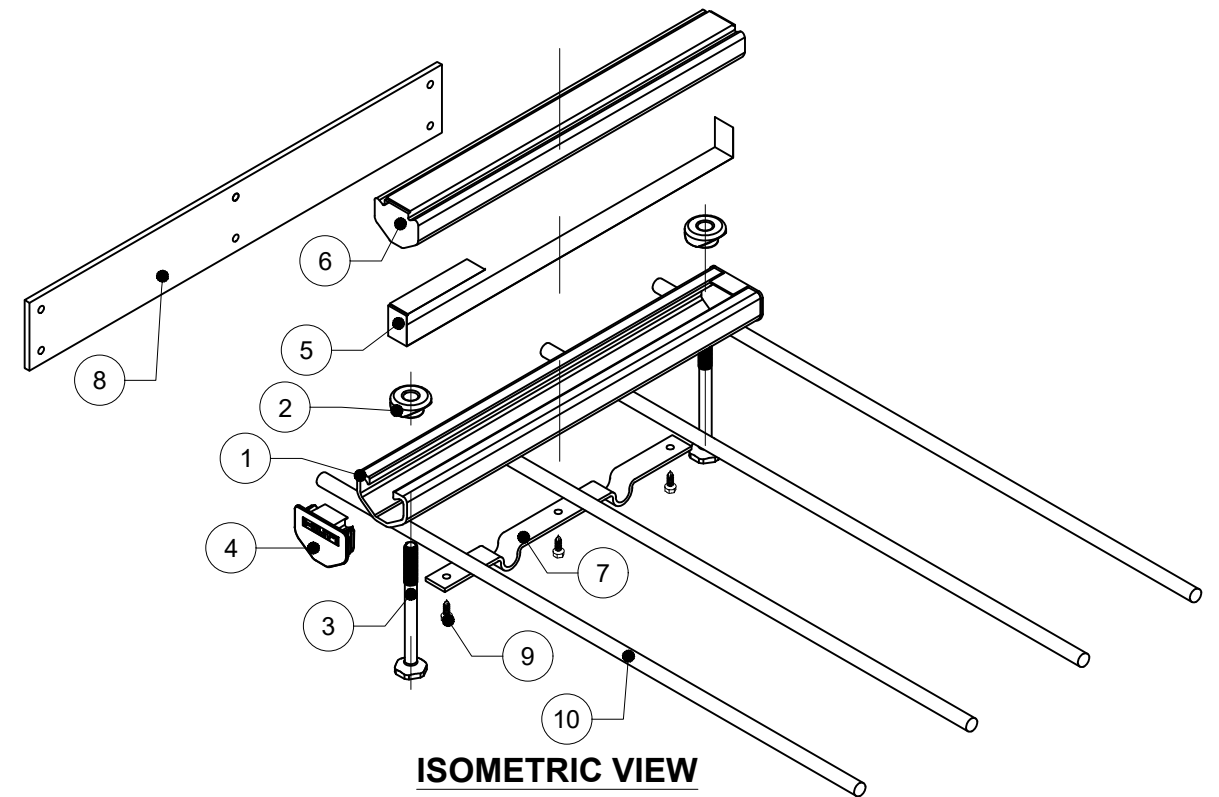


SECTION A-A'

| ITEM | DESCRIPTION | QUANTITY |
|------|-----------------------|----------|
| 1 | CHANNEL PROFILE | 1 |
| 2 | RIVET CONNECTION | 2 |
| 3 | ROUNDED HEADED ANCHOR | 2 |
| 4 | END CAP | 2 |
| 5 | TEAR OUT BAND | 1 |
| 6 | FILLER FOAM | 1 |
| 7 | STEEL STRAP | 1 |
| 8 | STEEL PLATE | 1 |
| 9 | SELF DRILL SCREW | 3 |
| 10 | M10 REBAR | 4 |



PLAN VIEW



ISOMETRIC VIEW

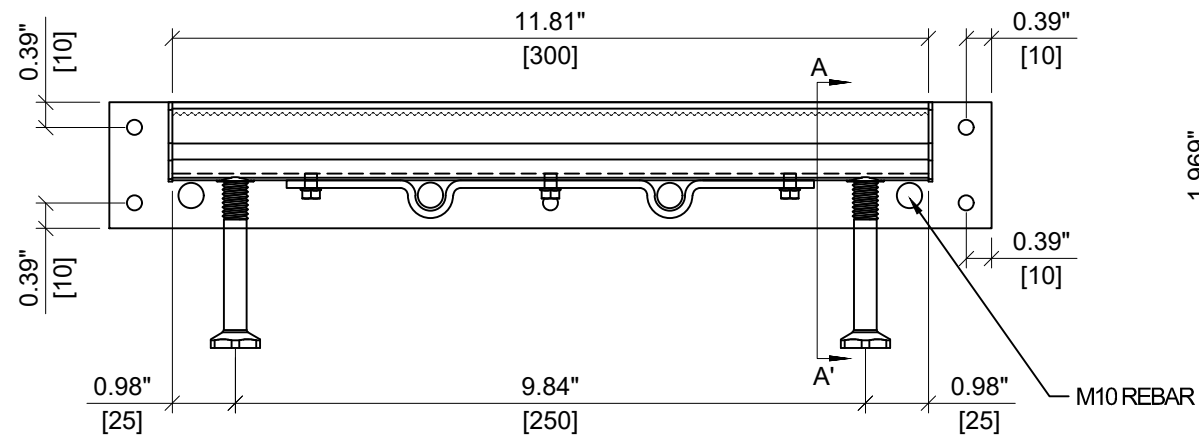
Notes:

- HAC IS NOT STRUCTURALLY CONNECTED TO STEEL PLATE OR REBAR.
- ICC APPROVAL APPLIES TO HILTI ANCHOR CHANNEL COMPONENT.
- ITEM NUMBER VARIES ACCORDING TO THE REQUIRED EDGE DISTANCE. PLEASE CONTACT HILTI TO VERIFY ITEM NUMBERS FOR REQUIRED EDGE DISTANCES.

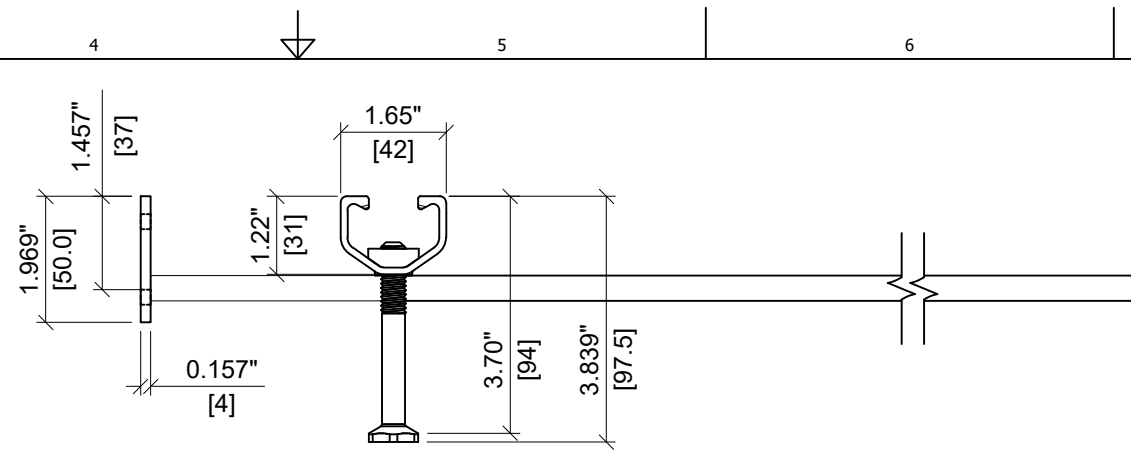
HILTI

| | |
|--|-------------------------------|
| ITEM NUMBER: VARIES³ | CHANNEL LIP: SMOOTH |
| ITEM DESCRIPTION: HAC-50 106/300 F EDGE LITE | |



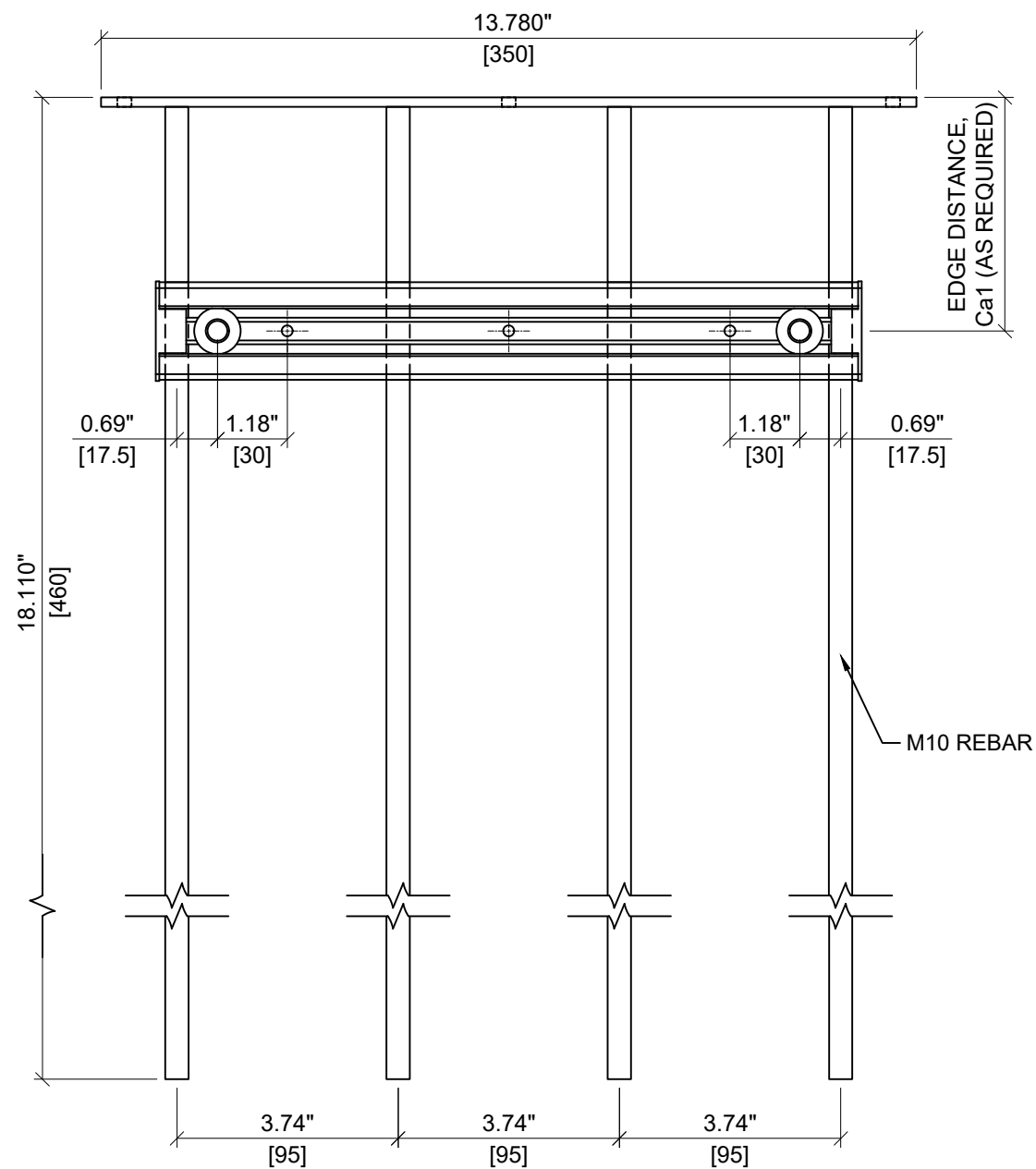


ELEVATION VIEW

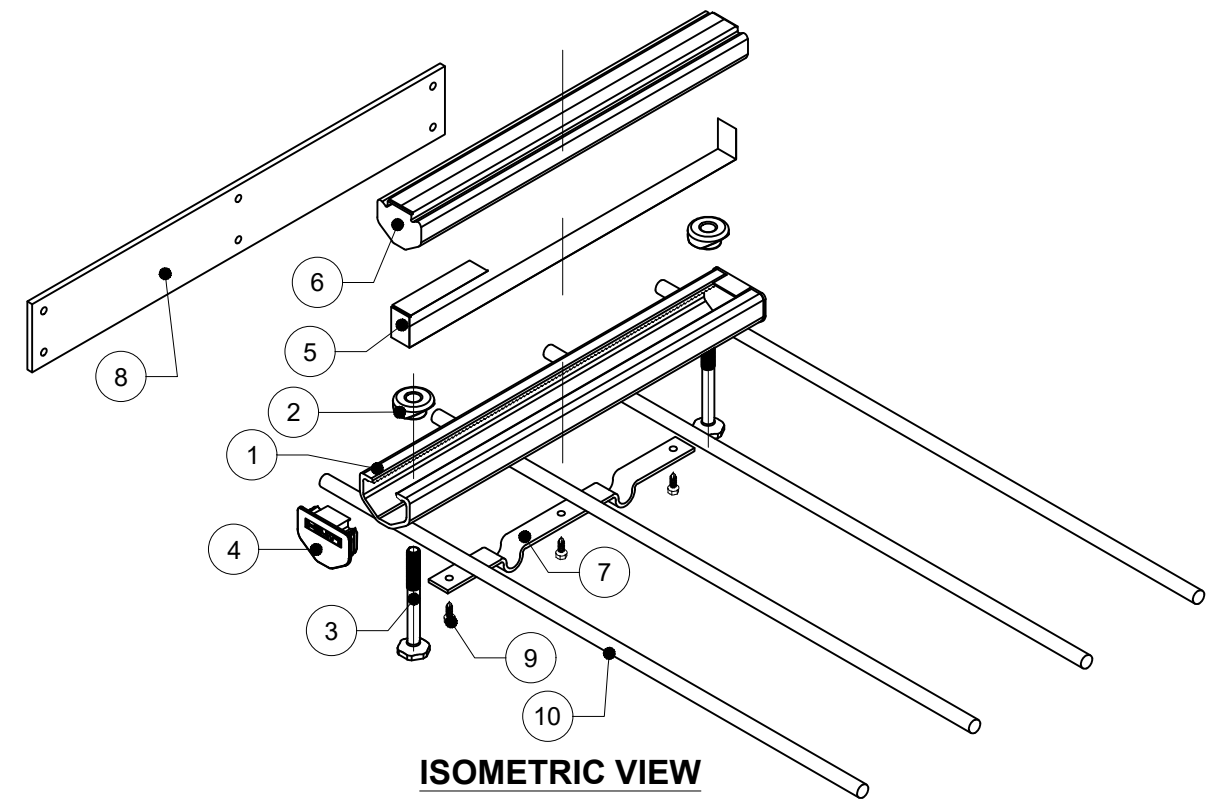


SECTION A-A'

| ITEM | DESCRIPTION | QUANTITY |
|------|-----------------------|----------|
| 1 | CHANNEL PROFILE | 1 |
| 2 | RIVET CONNECTION | 2 |
| 3 | ROUNDED HEADED ANCHOR | 2 |
| 4 | END CAP | 2 |
| 5 | TEAR OUT BAND | 1 |
| 6 | FILLER FOAM | 1 |
| 7 | STEEL STRAP | 1 |
| 8 | STEEL PLATE | 1 |
| 9 | SELF DRILL SCREW | 3 |
| 10 | M10 REBAR | 4 |




PLAN VIEW

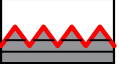


ISOMETRIC VIEW

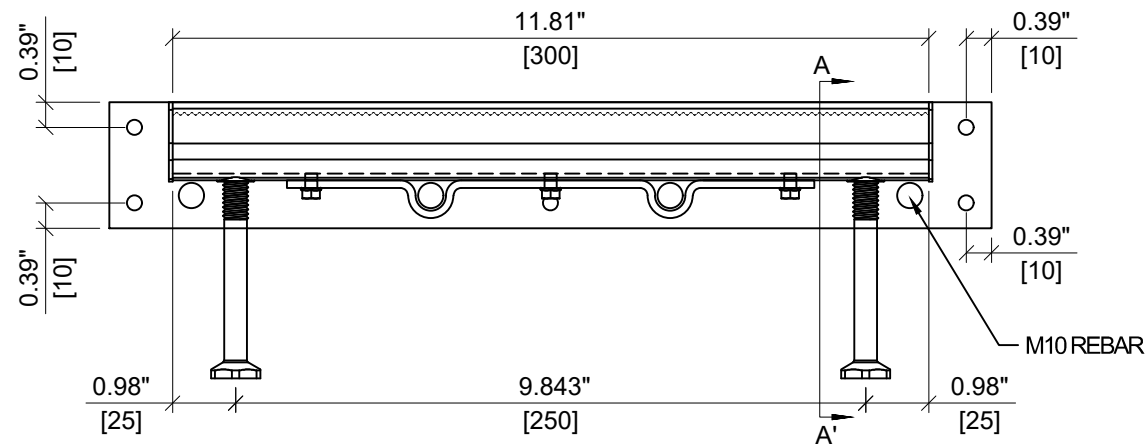
Notes:

1. HAC IS NOT STRUCTURALLY CONNECTED TO STEEL PLATE OR REBAR.
2. ICC APPROVAL APPLIES TO HILTI ANCHOR CHANNEL COMPONENT.
3. ITEM NUMBER VARIES ACCORDING TO THE REQUIRED EDGE DISTANCE. PLEASE CONTACT HILTI TO VERIFY ITEM NUMBERS FOR REQUIRED EDGE DISTANCES.

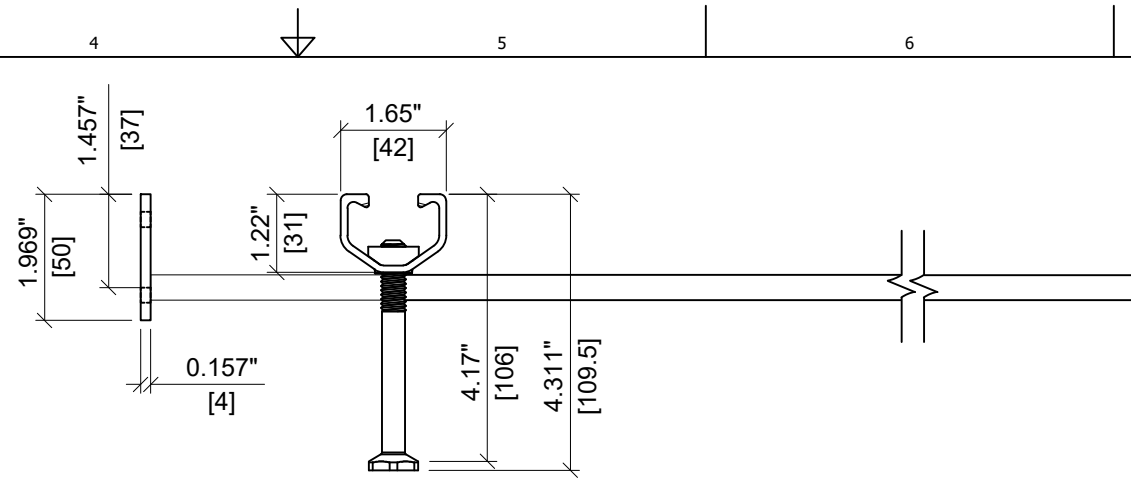


| | |
|--|---|
| ITEM NUMBER: VARIES³ | CHANNEL LIP: SERRATED  |
| ITEM DESCRIPTION: HAC-T50 94/300 F EDGE LITE | |



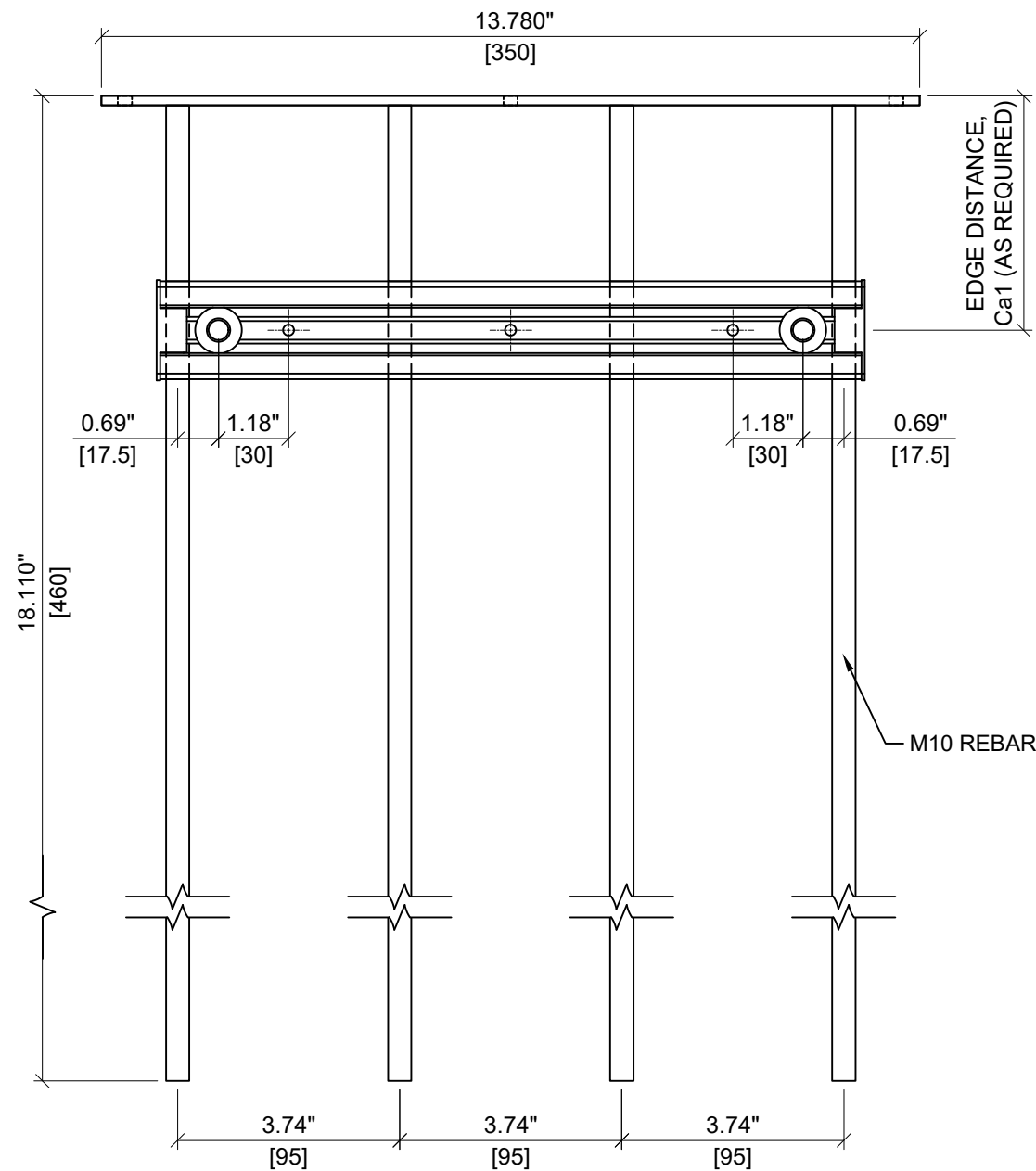


ELEVATION VIEW

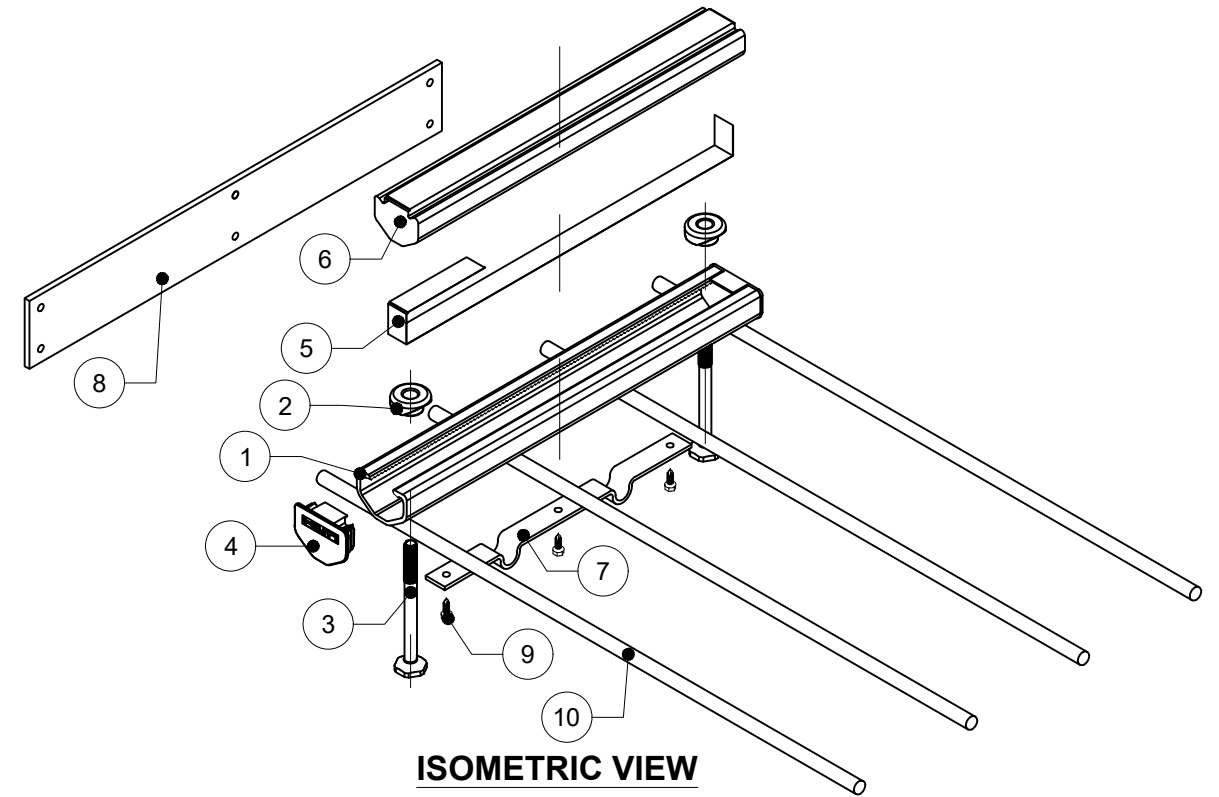


SECTION A-A'

| ITEM | DESCRIPTION | QUANTITY |
|------|-----------------------|----------|
| 1 | CHANNEL PROFILE | 1 |
| 2 | RIVET CONNECTION | 2 |
| 3 | ROUNDED HEADED ANCHOR | 2 |
| 4 | END CAP | 2 |
| 5 | TEAR OUT BAND | 1 |
| 6 | FILLER FOAM | 1 |
| 7 | STEEL STRAP | 1 |
| 8 | STEEL PLATE | 1 |
| 9 | SELF DRILL SCREW | 3 |
| 10 | M10 REBAR | 4 |




PLAN VIEW

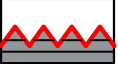


ISOMETRIC VIEW

Notes:

- HAC IS NOT STRUCTURALLY CONNECTED TO STEEL PLATE OR REBAR.
- ICC APPROVAL APPLIES TO HILTI ANCHOR CHANNEL COMPONENT.
- ITEM NUMBER VARIES ACCORDING TO THE REQUIRED EDGE DISTANCE. PLEASE CONTACT HILTI TO VERIFY ITEM NUMBERS FOR REQUIRED EDGE DISTANCES.



| | |
|---|---|
| ITEM NUMBER: VARIES³ | CHANNEL LIP: SERRATED  |
| ITEM DESCRIPTION: HAC-T50 106/300 F EDGE LITE | |

