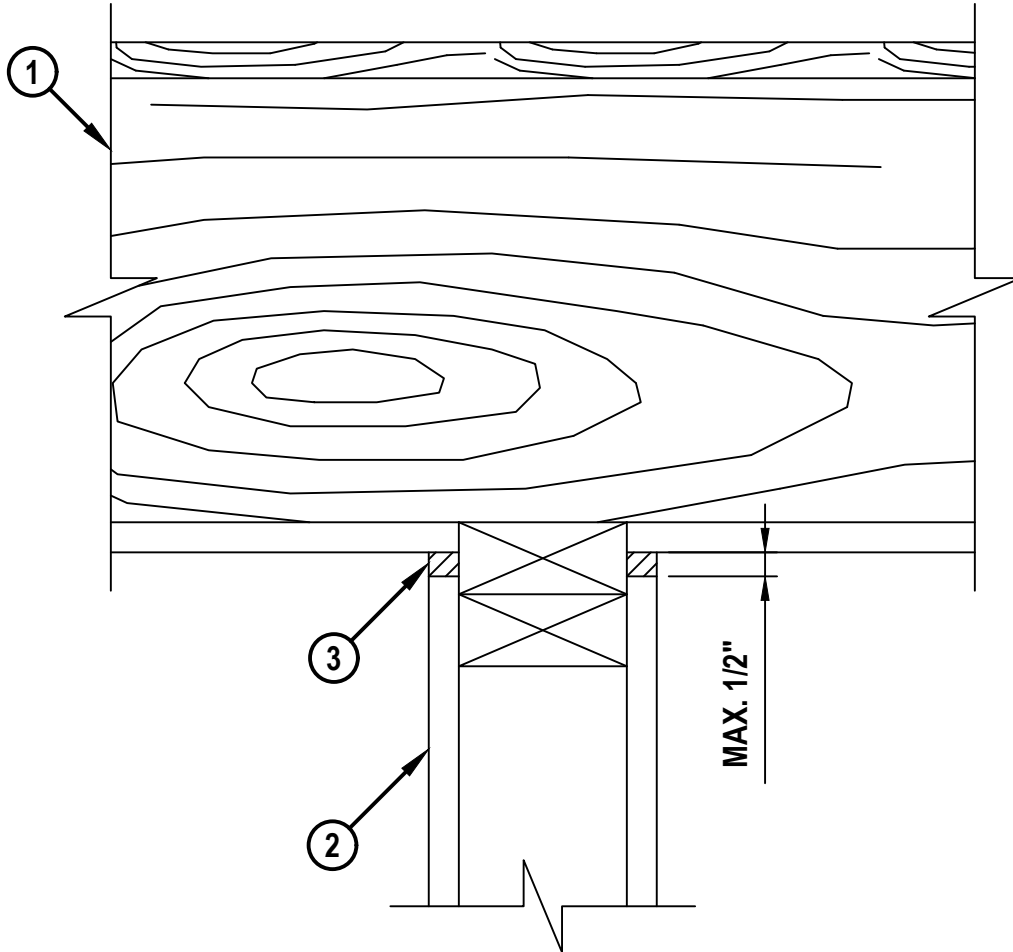


UL/cUL SYSTEM NO. HW-S-0145  
**TOP OF WALL JOINT : GYPSUM WALL ASSEMBLY**  
 ASSEMBLY RATING = 1-HR.

HWS0145a.101820

CROSS-SECTIONAL VIEW



1. WOOD FLOOR/CEILING ASSEMBLY (UL/cUL CLASSIFIED L500 SERIES) (1-HR. FIRE-RATING).
2. GYPSUM WALL ASSEMBLY (UL/cUL CLASSIFIED) (1-HR. FIRE-RATING) TO INCLUDE THE FOLLOWING CONSTRUCTION FEATURES :
  - A. WOOD PLATES AND STUDS TO CONSIST OF NOMINAL 2" x 4" LUMBER (SPACED MAXIMUM 16" OC).
  - B. NOMINAL 5/8" THICK GYPSUM WALLBOARD. TYPE, NUMBER OF LAYERS, AND SHEET ORIENTATION AS SPECIFIED IN THE INDIVIDUAL UL DESIGN.
3. MINIMUM 5/8" DEPTH HILTI CP 605 BOTTOM OF WALL FIRESTOP SEALANT.



HILTI, Inc.  
 Plano, Texas USA (800) 879-8000

Sheet	1 of 1
Scale	1/4" = 1"
Date	Oct. 18, 2020

Drawing No.  
**HWS  
 0145a**