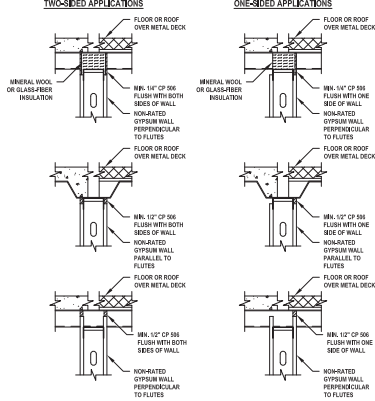
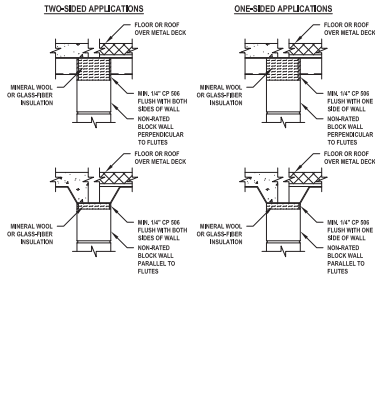


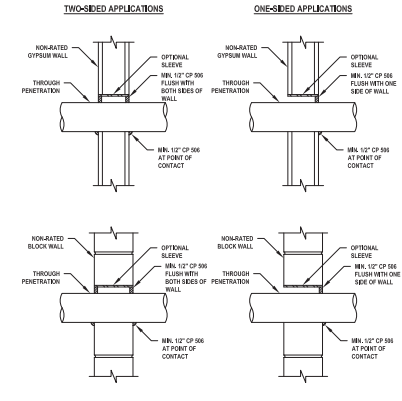
JOINT SYSTEM DETAIL FOR NON FIRE-RATED SMOKE PARTITIONS (EXAMPLES)



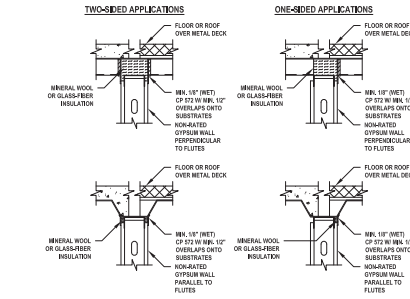
JOINT SYSTEM DETAIL FOR NON FIRE-RATED SMOKE PARTITIONS (EXAMPLES)



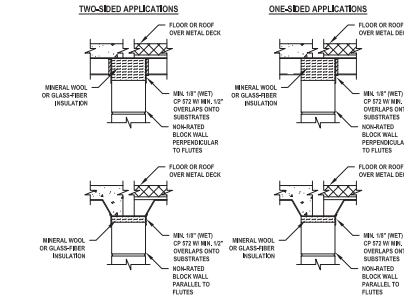
THROUGH PENETRATION DETAIL FOR NON FIRE-RATED SMOKE PARTITIONS (EXAMPLES)



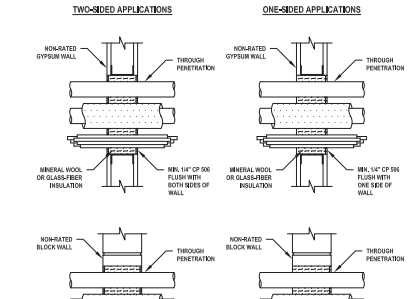
JOINT SYSTEM DETAIL FOR NON FIRE-RATED SMOKE PARTITIONS (EXAMPLES)



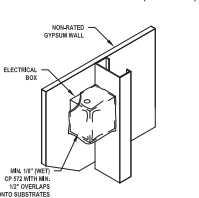
JOINT SYSTEM DETAIL FOR NON FIRE-RATED SMOKE PARTITIONS (EXAMPLES)



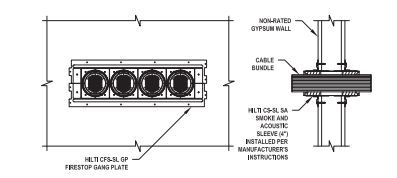
THROUGH PENETRATION DETAIL FOR NON FIRE-RATED SMOKE PARTITIONS (EXAMPLES)



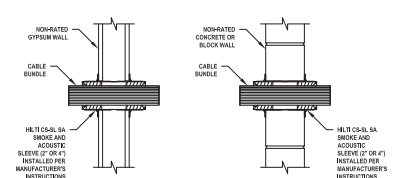
MEMBRANE PENETRATION DETAIL FOR NON FIRE-RATED SMOKE PARTITIONS (EXAMPLES)



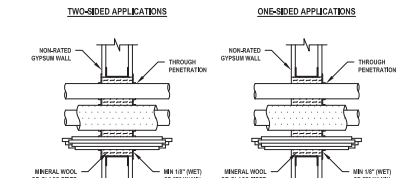
THROUGH PENETRATION DETAIL FOR NON FIRE-RATED SMOKE PARTITIONS (EXAMPLES)



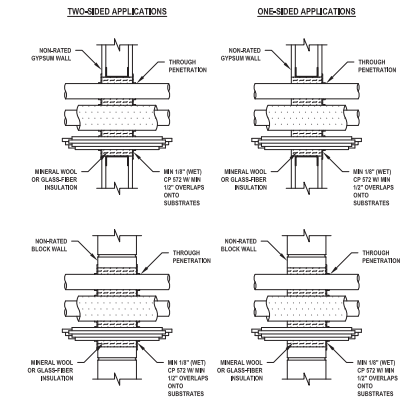
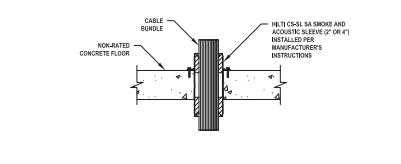
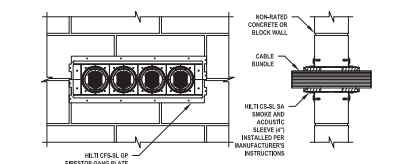
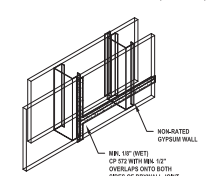
THROUGH PENETRATION DETAIL FOR NON FIRE-RATED SMOKE PARTITIONS (EXAMPLES)



THROUGH PENETRATION DETAIL FOR NON FIRE-RATED SMOKE PARTITIONS (EXAMPLES)



DRYWALL JOINTS SYSTEM DETAIL FOR NON FIRE-RATED SMOKE PARTITIONS (EXAMPLE)



- Notes:
- Refer to the following specifications:
 - Section 03 30 00 - Concrete
 - Section 04 00 00 - Masonry
 - Section 07 80 00 - Firestopping
 - Section 07 86 00 - Smoke Seals
 - Section 07 90 00 - Joint Sealers
 - Section 09 20 00 - Plaster and Gypsum Board
 - Section 13 48 00 - Sound, Vibration and Seismic Control
 - Section 21 00 00 - Fire Suppression
 - Section 22 00 00 - Plumbing
 - Section 23 00 00 - Heating, Ventilating, and Air-Conditioning
 - Section 26 00 00 - Electrical
 - Section 27 00 00 - Structured Cabling
 - If alternate details matching the field conditions are not available, manufacturer's engineering judgment drawings are acceptable. Contact Hilti Canada for alternative systems or Engineering Judgment (800-363-4459) Drawings shall follow the International Firestop Council (IFC) Guidelines for Evaluating Firestop Systems Engineering Judgments.
 - LIMITATIONS:
 - HILTI CS-SL SA SMOKE AND ACOUSTIC SLEEVE MAY BE INSTALLED WHERE IT IS NECESSARY TO RESTRICT SMOKE MIGRATION THROUGH NON FIRE-RATED ASSEMBLIES.
 - HILTI CP 506 SMOKE AND ACOUSTIC SEALANT MAY BE INSTALLED WHERE IT IS NECESSARY TO RESTRICT SMOKE MIGRATION THROUGH NON FIRE-RATED ASSEMBLIES, NOT FOR USE WITH CPVC PIPING.
 - HILTI CP 572 SMOKE AND ACOUSTIC SPRAY MAY BE INSTALLED WHERE IT IS NECESSARY TO RESTRICT SMOKE MIGRATION THROUGH NON FIRE-RATED ASSEMBLIES, NOT FOR USE WITH CPVC PIPING.
 - For all CPVC pipes systems, compatibility should be verified by the CPVC pipes manufacturer.

<Notes to designer, delete this note after reading and replace with file block information>
 1. Any modification to these details could result in an application/system not meeting the code or Intertek Classification or the intended temperature or fire ratings.
 2. Details shown are up to date as of April 2020.
 3. If alternate details matching the field conditions are not available, manufacturer's engineering judgment drawings are acceptable. Contact Hilti Inc. for alternative systems or Engineering Judgment (800-363-4459) Drawings shall follow the International Firestop Council (IFC) Guidelines for Evaluating Firestop Systems Engineering Judgments.

JOB NUMBER:

CHECKED:

ISSUE DATE:

REVISIONS:

CONTENTS:

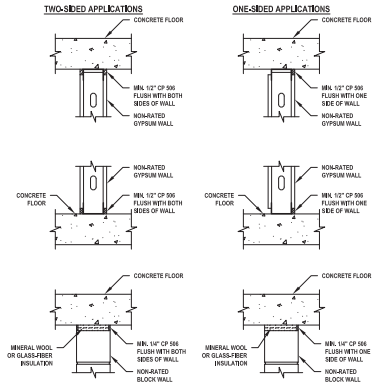
SMOKE AND ACOUSTIC DETAILS, PENETRATIONS AND JOINTS

SHEET NUMBER:

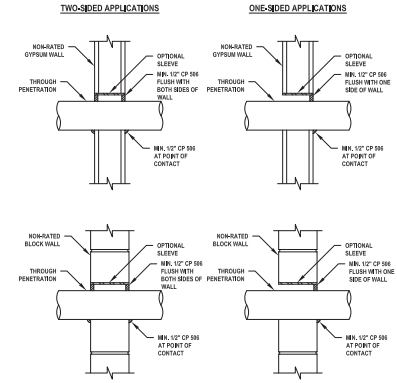
SA.1.1

SHEET NUMBER:

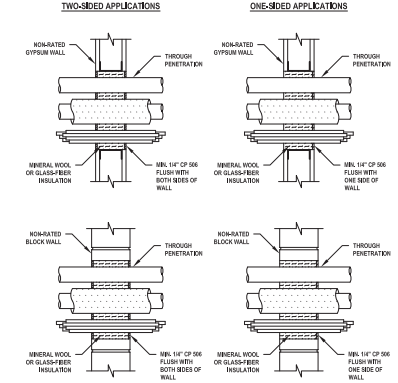
JOINT SYSTEM DETAIL FOR NON FIRE-RATED SMOKE PARTITIONS (EXAMPLES)



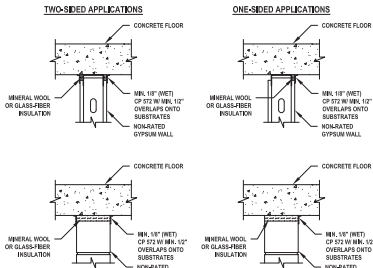
THROUGH PENETRATION DETAIL FOR NON FIRE-RATED SMOKE PARTITIONS (EXAMPLES)



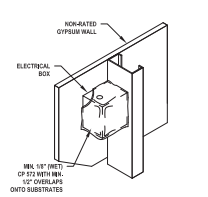
THROUGH PENETRATION DETAIL FOR NON FIRE-RATED SMOKE PARTITIONS (EXAMPLES)



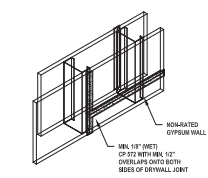
JOINT SYSTEM DETAIL FOR NON FIRE-RATED SMOKE PARTITIONS (EXAMPLES)



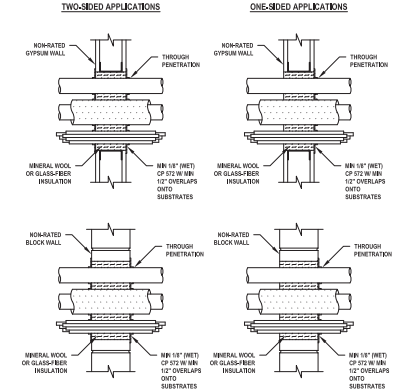
MEMBRANE PENETRATION DETAIL FOR NON FIRE-RATED SMOKE PARTITIONS (EXAMPLES)



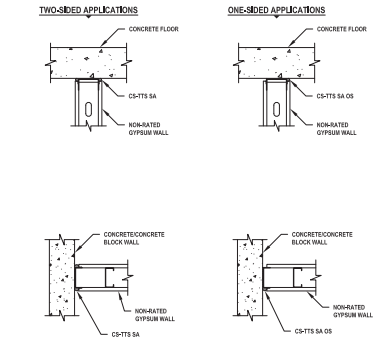
DRYWALL JOINTS SYSTEM DETAIL FOR NON FIRE-RATED SMOKE PARTITIONS (EXAMPLE)



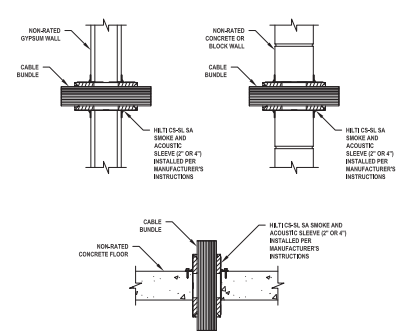
THROUGH PENETRATION DETAIL FOR NON FIRE-RATED SMOKE PARTITIONS (EXAMPLES)



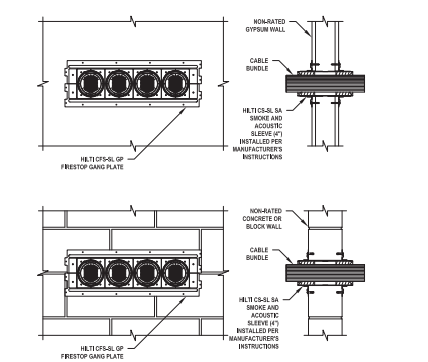
JOINT SYSTEM DETAIL FOR NON FIRE-RATED SMOKE PARTITIONS (EXAMPLES)



THROUGH PENETRATION DETAIL FOR NON FIRE-RATED SMOKE PARTITIONS (EXAMPLES)



THROUGH PENETRATION DETAIL FOR NON FIRE-RATED SMOKE PARTITIONS (EXAMPLES)



- Notes:
- Refer to the following specifications:
 - Section 03 30 00 - Concrete
 - Section 04 00 00 - Masonry
 - Section 07 80 00 - Firestopping
 - Section 07 86 00 - Smoke Seals
 - Section 07 90 00 - Joint Sealers
 - Section 09 20 00 - Plaster and Gypsum Board
 - Section 13 48 00 - Sound, Vibration and Seismic Control
 - Section 21 00 00 - Fire Suppression
 - Section 22 00 00 - Plumbing
 - Section 23 00 00 - Heating, Ventilating, and Air-Conditioning
 - Section 26 00 00 - Electrical
 - Section 27 00 00 - Structured Cabling
 - If alternate details matching the field conditions are not available, manufacturer's engineering judgment drawings are acceptable. Contact Hilti Canada for alternative systems or Engineering Judgment (800-363-4459) Drawings shall follow the International Firestop Council (IFC) Guidelines for Evaluating Firestop Systems Engineering Judgments.
 - LIMITATIONS:
 - HILTI CS-SL SA SMOKE AND ACOUSTIC SLEEVE MAY BE INSTALLED WHERE IT IS NECESSARY TO RESTRICT SMOKE MIGRATION THROUGH NON FIRE-RATED ASSEMBLIES.
 - HILTI CP 506 SMOKE AND ACOUSTIC SEALANT MAY BE INSTALLED WHERE IT IS NECESSARY TO RESTRICT SMOKE MIGRATION THROUGH NON FIRE-RATED ASSEMBLIES. NOT FOR USE WITH CPVC PIPING.
 - HILTI CP 572 SMOKE AND ACOUSTIC SPRAY MAY BE INSTALLED WHERE IT IS NECESSARY TO RESTRICT SMOKE MIGRATION THROUGH NON FIRE-RATED ASSEMBLIES. NOT FOR USE WITH CPVC PIPING.
 - For all CPVC pipes systems, compatibility should be verified by the CPVC pipes manufacturer.

<Notes to designer (delete this note after reading and replace with title block information)>
 1. Any modification to these details could result in an application/system not meeting the c.d.L. or Intertek Classification or the intended temperature or fire ratings.
 2. Details shown are up to date as of April 2020.
 3. If alternate details matching the field conditions are not available, manufacturer's engineering judgment drawings are acceptable. Contact Hilti Inc. for alternative systems or Engineering Judgment (800-363-4459). Drawings shall follow the International Firestop Council (IFC) Guidelines for Evaluating Firestop Systems Engineering Judgments.

JOB NUMBER:

CHECKED:

ISSUE DATE:

REVISIONS:

CONTENTS:

SMOKE AND ACOUSTIC DETAILS, PENETRATIONS AND JOINTS

SHEET NAME:

SA.1.2

SHEET NUMBER: