

## Water Barrier Module

### Product description

- A pre-installed water barrier solution that impedes water
- Meets W-Rating requirements for select penetrants
- For use where a single penetrant is employed per cast-in device
- QuickTurn Connection system promotes a fast, positive connection to the top of the appropriate cast-in device

### Dimension

- Adds 1" to all cast-in devices
- Pipe sizes addressed (See UL Systems)
  - 2" water module for 2" pipe; 3" water module for 2.5" and 3" pipe;
  - 4" water module for 4" pipe; 6" water module for 6" pipe

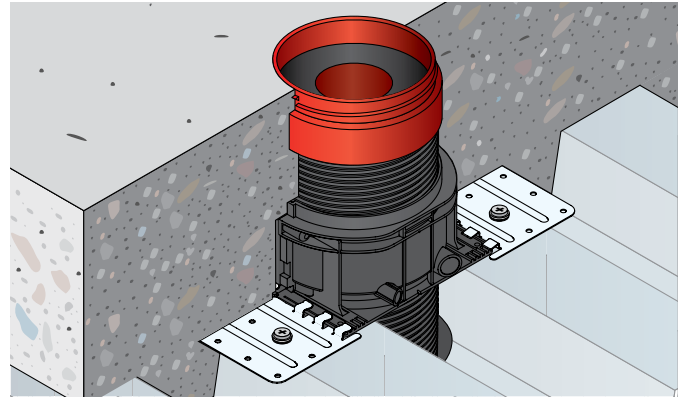
### Color

- Red housing with black gasket

### Installation instructions

#### Notice

- Before handling, read Material Safety Data Sheet and product label for safe usage and health information.
- Always refer to the applicable drawing in the UL Fire Resistance Directory or Hilti Firestop Systems Guide for complete installation information



Visit [fbcsystemcompatible.com](http://fbcsystemcompatible.com).  
FBC™ is a trademark of the Lubrizol Corporation.

## Top Seal Plug

### Product description

- A post-installed water barrier solution that impedes water
- Meets W-Rating requirements for select penetrants
- For use where a single penetrant is employed per cast-in device
- Chemically stable elastomeric material will not react with combustible pipes

### Applications

- For single penetrants placed through a 2" cast-in place device
- Iron Pipe Sizing (IPS) and Copper Pipe Sizing (CPS) offerings available
- For pipes ranging from nominal 0.5" to 2.0" in diameter

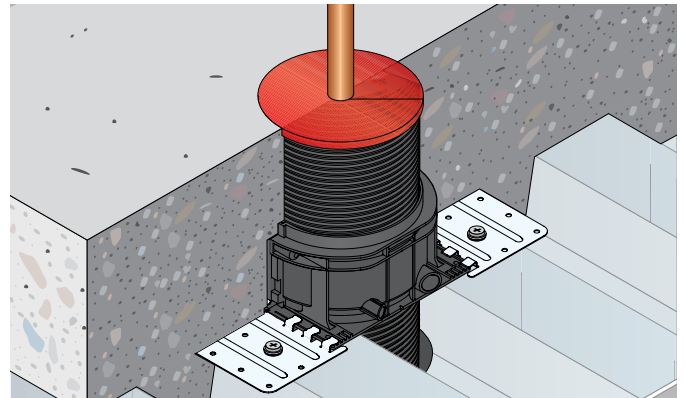
### Color

- Red

### Installation instructions

#### Notice

- Before handling, read Material Safety Data Sheet and product label for safe usage and health information.
- Always refer to the applicable drawing in the UL Fire Resistance Directory or Hilti Firestop Systems Guide for complete installation information



Visit [fbcsystemcompatible.com](http://fbcsystemcompatible.com).  
FBC™ is a trademark of the Lubrizol Corporation.



**Hilti Firestop**  
Saving lives  
through innovation  
and education

**Hilti. Outperform. Outlast.**