

3.4 MI Components, Allowable Load Data and Specifications

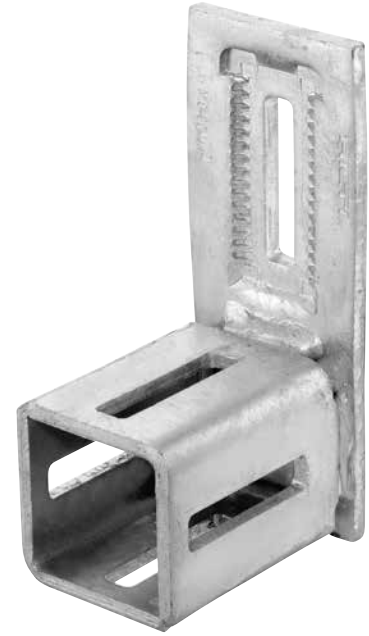
MIC-90 / 120-U Crossbeam connector¹

Material Specifications

Material	S235 JRG2 (DIN 10025) ASTM A1011 (34)
Galvanizing	Hot-dip galvanized 2.2 mils (55 µm) DIN EN ISO 1461, ASTM A153

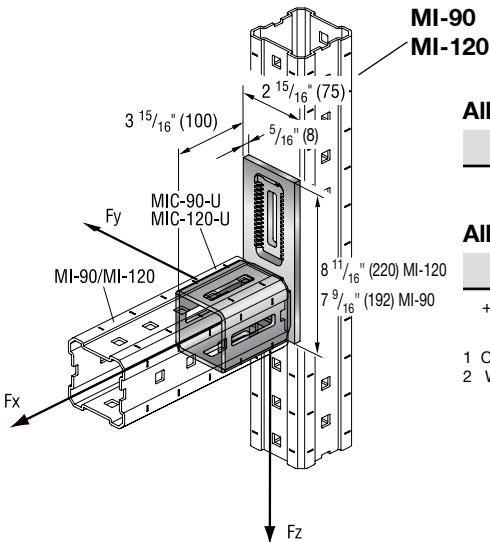
Ordering Information

Description	For Girder Type	Weight Per Set lb (kg)	Qty	Item No.
MIC-90-U	MI-90	5.2 (2.3)	4	304803
MIC-120-U	MI-120	6.1 (2.7)	4	304804



Technical Data

MIC-90-U
or **MIC-120-U**
on MI-90/120² girder



Allowable loads for MIC-90-U on girder²

± Fx (lb)	± Fy (lb)	± Fz (lb)	± Mx (ft-lb)	± My (ft-lb)	± Mz (ft-lb)
565	3040	3980	590	130	30

Allowable loads for MIC-120-U on girder²

± Fx (lb)	± Fy (lb)	± Fz (lb)	± Mx (ft-lb)	± My (ft-lb)	± Mz (ft-lb)
+645/-680	3040	3980	895	130	30

- 1 Connector must not be used to resist moments.
- 2 When mounting to 120 mm width of MI-120 girder, order separately bolt MIA-EH-120, item 00304888.

