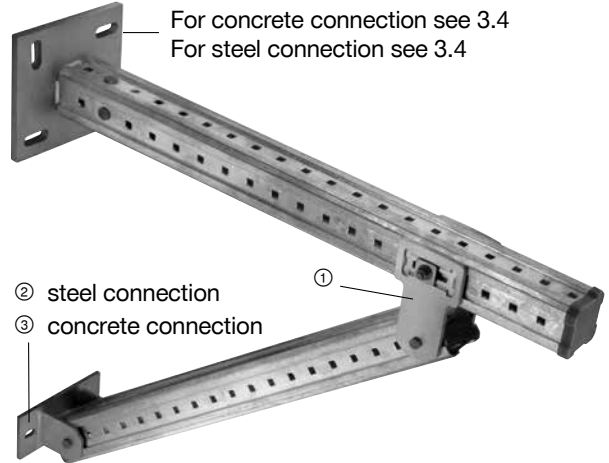


3.4 MI Components, Allowable Load Data and Specifications

MI multi-angle connectors

Material Specifications

Material	S235 JRG2 (DIN 10025), ASTM A1011 (34)
Galvanizing	Hot-dip galvanized 2.2 mils (55 µm) DIN EN ISO 1461, ASTM A153

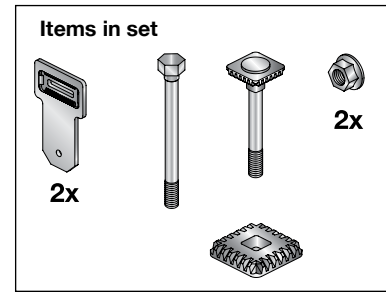
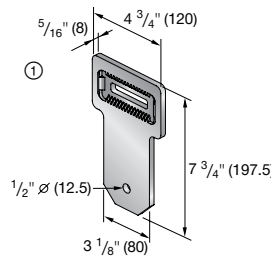


Girder to girder

Ordering Information MI angle connectors for girder

Description	For Girder Type	Weight Per Set lb (kg)	Qty	Item No.
MIC-U-MA ①	MI-90/MI-120	5.5 (2.5)	2 sets ¹	304806

¹ Connector must always be used in pairs on opposite sides of the girder. Edge distance from angle connector bolt and end of girder must be ≥ 1" (25 mm).

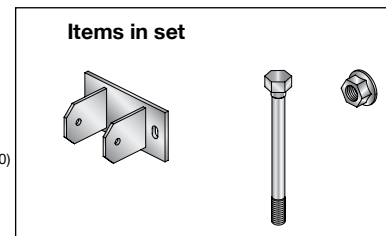
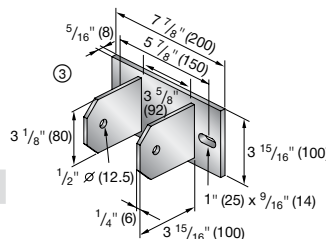
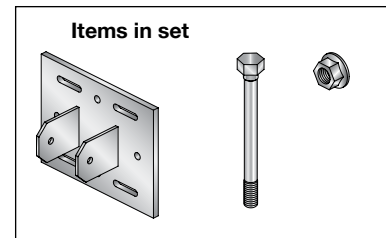
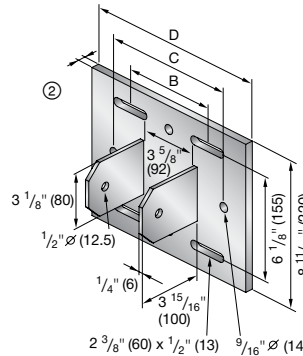
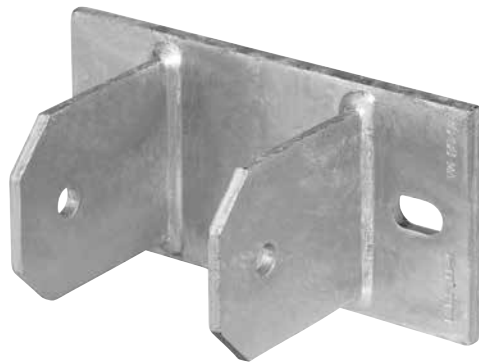


Girder to steel

Ordering Information MI angle connectors for steel

Description	For Girder Type	Steel Beam Width B in (mm)	C in (mm)	D in (mm)	Weight Per Set lb (kg)	Qty	Item No.
MIC-SA-MA ②	MI-90/MI-120	2-15/16 – 6-1/2" (75 – 165)	7-7/8" (200)	11" (280)	13.8 (6.2)	4	304815
MIC-SB-MA ②	MI-90/MI-120	6-1/2" – 9-1/4" (165 – 235)	11-13/16" (300)	13-3/4" (350)	17.0 (7.7)	2	304816
MIC-SC-MA ②	MI-90/MI-120	9 -1/4" – 12" (235 – 305)	13-3/4" (350)	16 -15/16" (430)	20.7 (9.4)	2	304817

Girder to concrete



Ordering Information MI angle connectors for concrete

Description	For Girder Type	Weight Per Set lb (kg)	Qty	Item No.
MIC-CU-MA ③	MI-90/MI-120	4.4 (2.0)	4	304828

3.4 MI Components, Allowable Load Data and Specifications

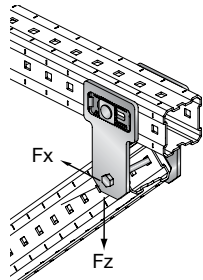
MI multi-angle connectors

Girder to girder

Technical Data

MIC-U-MA angle connection to girder

MIC-U-MA¹ on MI-90/MI-120



Allowable loads

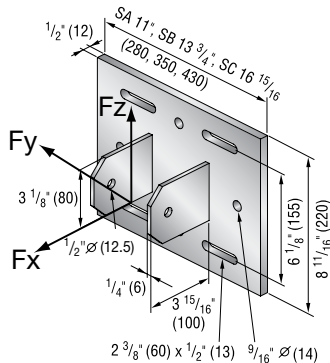
± Fx (lb)	± Fy (lb)	± Fz (lb)
3980	425	1880

1 Always to be used in pairs on opposite sides of the girder.

Girder to steel

MIC-SA/SB/SC-MA angle connection to steel

MIC-SA-MA/ MIC-SB-MA/MIC-SC-MA for MI-90/MI-120



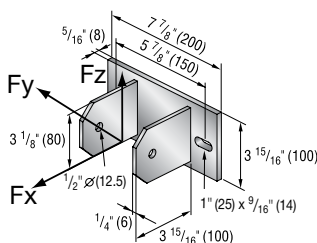
Allowable loads

	± Fx (lb)	± Fy (lb)	± Fz (lb)
MIC-SA-MA	3980	650	1100
MIC-SA-MA+MIB	3980	650	1325
MIC-SB-MA	3980	650	1100
MIC-SB-MA+MIB	3980	650	1325
MIC-SC-MA	3980	650	1102
MIC-SC-MA+MIB	3980	650	1325

Girder to concrete

MIC-CU-MA angle connection to concrete

MIC-CU-MA for MI-90/MI-120



Allowable loads³

± Fx (lb)	± Fy (lb)	± Fz (lb)
+2830/-2690	649	1960

3 Capacity of anchorage to concrete must be evaluated separately.