

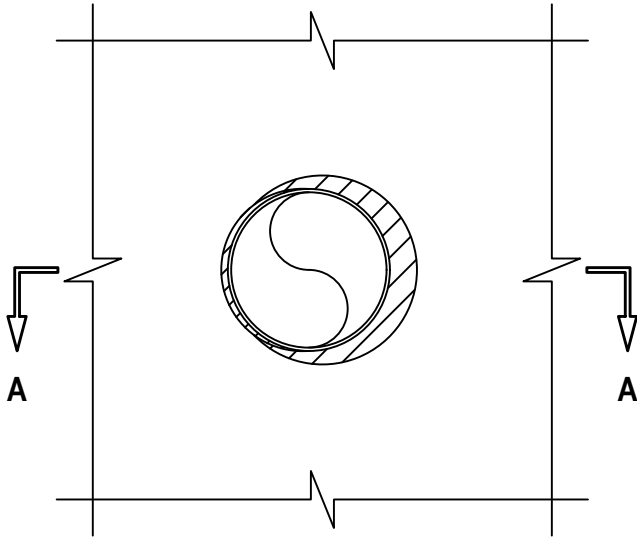
**METAL DUCT (WITHOUT DAMPER) THROUGH WOOD FLOOR/CEILING ASSEMBLY**

F-RATING = 1-HR.

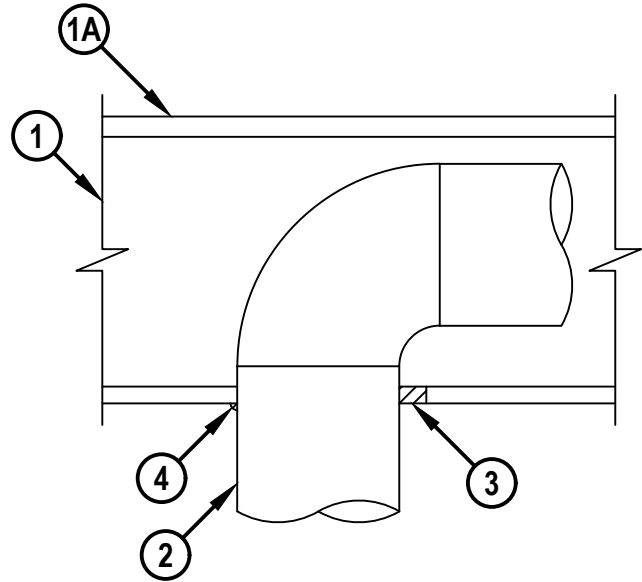
T-RATING = 1-HR.

FC7086a.052821

**BOTTOM VIEW**



**SECTION A-A**



1. WOOD FLOOR/CEILING ASSEMBLY (UL/cUL CLASSIFIED L500 SERIES) (1-HR. FIRE-RATING).
- 1A. LUMBER OR PLYWOOD SUBFLOOR WITH FINISH FLOOR OF LUMBER, PLYWOOD, OR FLOOR TOPPING MIXTURE.
2. MAXIMUM 6" NOMINAL DIAMETER SHEET METAL DUCT (MIN. 30 GA.).
3. MINIMUM 5/8" DEPTH HILTI FS-ONE MAX INTUMESCENT FIRESTOP SEALANT FLUSH WITH BOTTOM SURFACE OF CEILING OR LOWER TOP PLATE.
4. MINIMUM 1/4" BEAD HILTI FS-ONE MAX INTUMESCENT FIRESTOP SEALANT APPLIED AT POINT OF CONTACT.

**NOTES :** 1. MAXIMUM DIAMETER OF OPENING TO BE MAXIMUM 1" LARGER THAN DIAMETER OF STEEL DUCT.  
 2. ANNULAR SPACE = MINIMUM 0", MAXIMUM 1".  
 3. [OPTIONAL - NOT SHOWN] CHASE WALL - THE THROUGH PENETRANT MAY BE ROUTED THROUGH A 1-HR. FIRE-RATED GYPSUM CHASE WALL. DEPTH OF CHASE WALL TO BE MINIMUM 1/2" GREATER THAN DIAMETER OF OPENING CUT INTO PLATE TO ACCOMMODATE THE PENETRATING ITEM.



HILTI, Inc.  
 Plano, Texas USA (800) 879-8000

|       |              |
|-------|--------------|
| Sheet | 1 of 1       |
| Scale | 9/64" = 1"   |
| Date  | May 28, 2021 |

Drawing No.  
**FC 7086a**