

cUL SYSTEM NO. F-B-2075

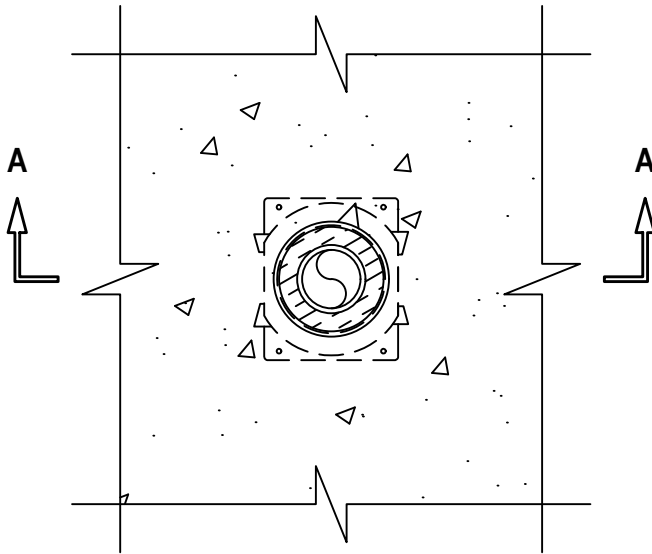


PLASTIC PIPE THROUGH CONCRETE FLOOR OR CONCRETE FLOOR OVER METAL DECKING

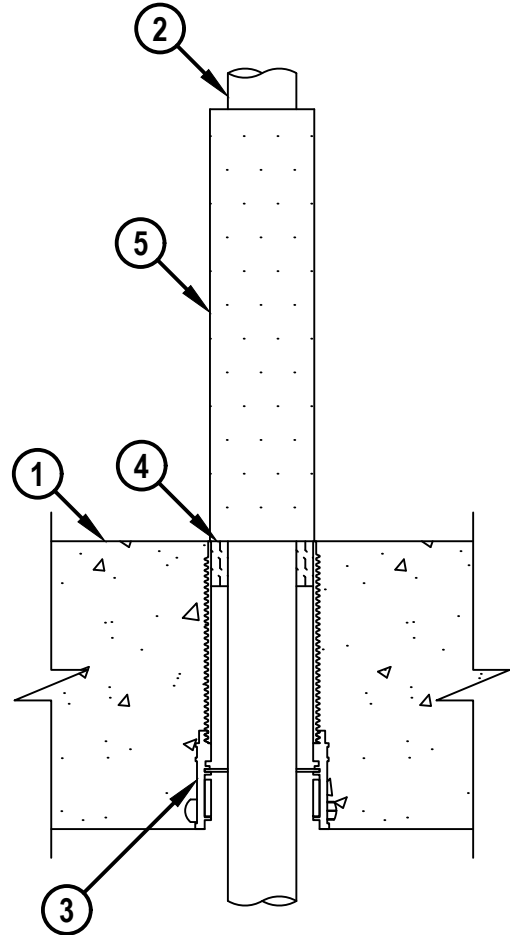
F, FT, FH, AND FTH-RATINGS = 2-HR.

NOTE : TESTED WITH A 50 Pa PRESSURE DIFFERENTIAL

TOP VIEW



SECTION A-A



cUL FB2075a.082421



HILTI, Inc.
Plano, Texas USA (800) 879-8000

Sheet	1 of 2
Scale	3/16" = 1"
Date	Aug. 24, 2021

Drawing No.
cUL
FB2075a

Saving Lives through Innovation and Education

PLASTIC PIPE THROUGH CONCRETE FLOOR OR CONCRETE FLOOR OVER METAL DECKING

F, FT, FH, AND FTH-RATINGS = 2-HR.

NOTE : TESTED WITH A 50 Pa PRESSURE DIFFERENTIAL

cUL FB2075a.082421

1. CONCRETE FLOOR ASSEMBLY (2-HR. FIRE-RATING) :
 - A. LIGHTWEIGHT OR NORMAL WEIGHT CONCRETE FLOOR (MINIMUM 8" THICK).
 - B. STEEL FLOOR UNIT/FLOOR ASSEMBLY - LIGHTWEIGHT OR NORMAL WEIGHT CONCRETE FLOOR (MINIMUM 8" THICK) OVER METAL DECKING.
2. PENETRATING ITEM TO BE ONE OF THE FOLLOWING :
 - A. MAXIMUM 1-1/2" (38 MM OD) NOMINAL DIAMETER POLYPROPYLENE (PP) PLASTIC PIPE (SDR 7.4 OR 11) (CLOSED OR VENTED PIPING SYSTEM).
 - B. MAXIMUM 1-1/2" (50 MM OD) NOMINAL DIAMETER AQUATHERM GREENPIPE POLYPROPYLENE (PP-R) PLASTIC PIPE (SDR 7.4 OR 11) (CLOSED OR OPEN PIPING SYSTEM).
 - C. MAXIMUM 1-1/2" (50 MM OD) NOMINAL DIAMETER AQUATHERM BLUEPIPE POLYPROPYLENE (PP-RCT) PLASTIC PIPE (SDR 9 OR 11) (CLOSED OR OPEN PIPING SYSTEM).
 - D. MAXIMUM 1-1/2" (50 MM OD) NOMINAL DIAMETER NUPI AMERICAS NIRON POLYPROPYLENE (PP-RCT) PLASTIC PIPE (SDR 7.3, 9, OR 11) (CLOSED OR VENTED PIPING SYSTEM).
 - E. MAXIMUM 1-1/2" (50 MM OD) NOMINAL DIAMETER AQUATECHNIK NA FUSION-TECH POLYPROPYLENE (PP-RCT) PLASTIC PIPE (SDR 7.4 OR 11) (CLOSED OR OPEN PIPING SYSTEM).
 - F. MAXIMUM 1-1/2" (50 MM OD) NOMINAL DIAMETER UPONOR POLYPROPYLENE (PP) PLASTIC PIPE (SDR 9 OR 11) (CLOSED OR VENTED PIPING SYSTEM).
3. HILTI CP 680-P 2" OR CP 680-PX 2" CAST-IN FIRESTOP DEVICE CAST OR GROUTED INTO CONCRETE FLOOR.
4. MINIMUM 1-1/4" THICKNESS MINERAL WOOL (MIN. 4 PCF DENSITY) TIGHTLY PACKED, FLUSH WITH TOP OF DEVICE.
5. [OPTIONAL] MINIMUM 1/2" THICK GLASS FIBER PIPE INSULATION (EXTENDING MINIMUM 12" ABOVE FLOOR) INSTALLED AROUND PIPE, RESTING FLUSH WITH TOP SURFACE OF FLOOR.

NOTE : FOR CONCRETE FLOOR OVER METAL DECKING APPLICATIONS, A METAL DECK ADAPTER KIT IS REQUIRED.



Hilti Firestop Systems

HILTI, Inc.
Plano, Texas USA (800) 879-8000

Sheet	2 of 2
Scale	-
Date	Aug. 24, 2021

Drawing No.

cUL
FB2075a

Saving Lives through Innovation and Education