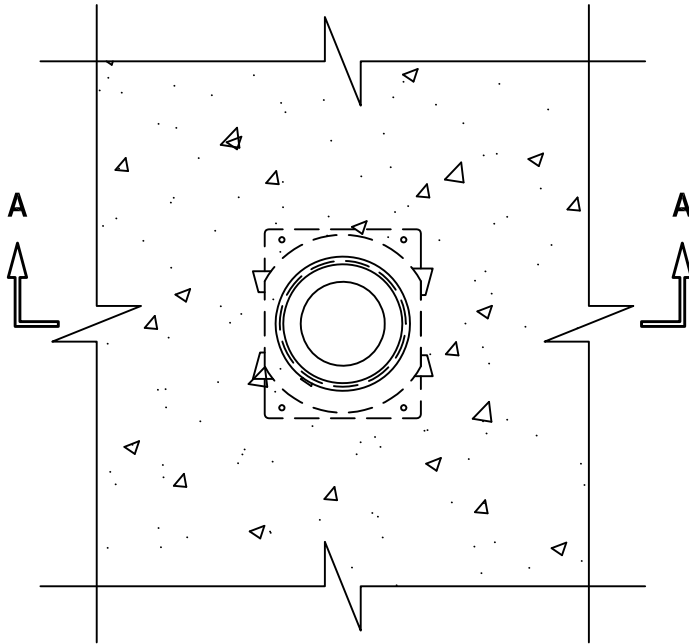


SINGLE TEK CABLE THROUGH CONCRETE FLOOR OR CONCRETE OVER METAL DECKING

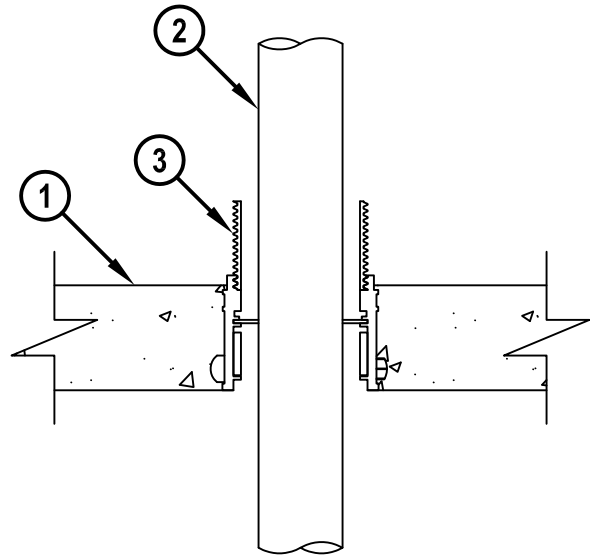
F-RATING = 3-HR.
 FT AND FTH-RATINGS = 0-HR. OR 1/2-HR.
 FH-RATING = 0-HR. OR 3-HR.

cUL FA3034b.072115

TOP VIEW



SECTION A-A



1. CONCRETE FLOOR ASSEMBLY (3-HR. FIRE-RATING) :
 - A. LIGHTWEIGHT OR NORMAL WEIGHT CONCRETE FLOOR (MINIMUM 2-1/2" THICK).
 - B. STEEL FLOOR UNIT/FLOOR ASSEMBLY - LIGHTWEIGHT OR NORMAL WEIGHT CONCRETE FLOOR (MINIMUM 2-1/2" THICK) OVER METAL DECKING.
2. NOMINAL 4/C 500 KCMIL COPPER OR ALUMINUM CONDUCTOR PVC JACKETED ALUMINUM OR STEEL CLAD TEK CABLE.
3. HILTI CP 680-M 2", CP 680-P 2", OR CP 680-PX 2" CAST-IN FIRESTOP DEVICE, CAST OR GROUTED INTO CONCRETE FLOOR.

NOTE : FOR CONCRETE FLOOR OVER METAL DECKING APPLICATIONS, A METAL DECK ADAPTER KIT IS REQUIRED.



HILTI, Inc.
 Plano, Texas USA (800) 879-8000

Sheet	1 of 1
Scale	7/32" = 1"
Date	July 21, 2015

Drawing No.
cUL
FA3034b