

cUL SYSTEM NO. W-L-2078



PLASTIC PIPE THROUGH GYPSUM WALL ASSEMBLY

F-RATING = 1-HR. OR 2-HR.

FT-RATING = 0-HR., 1-HR, OR 2-HR. (SEE NOTE NO. 5 BELOW)

FH-RATING = 1-HR. OR 2-HR.

FTH-RATING = 0-HR., 1-HR, OR 2-HR. (SEE NOTE NO. 5 BELOW)

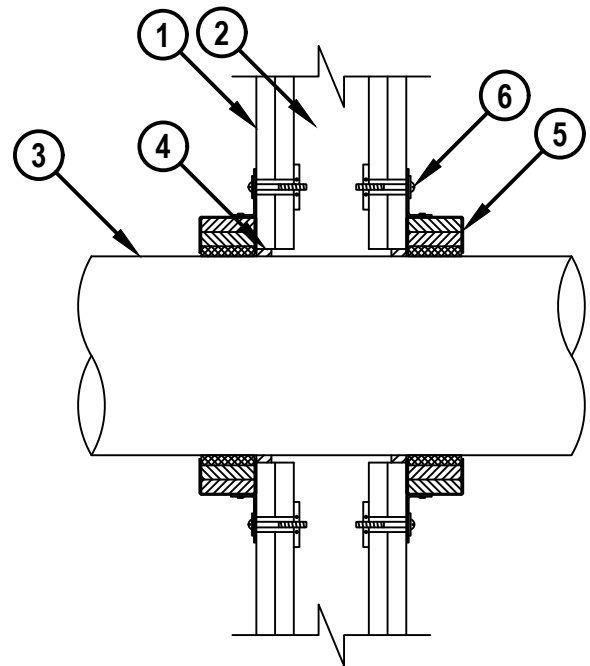
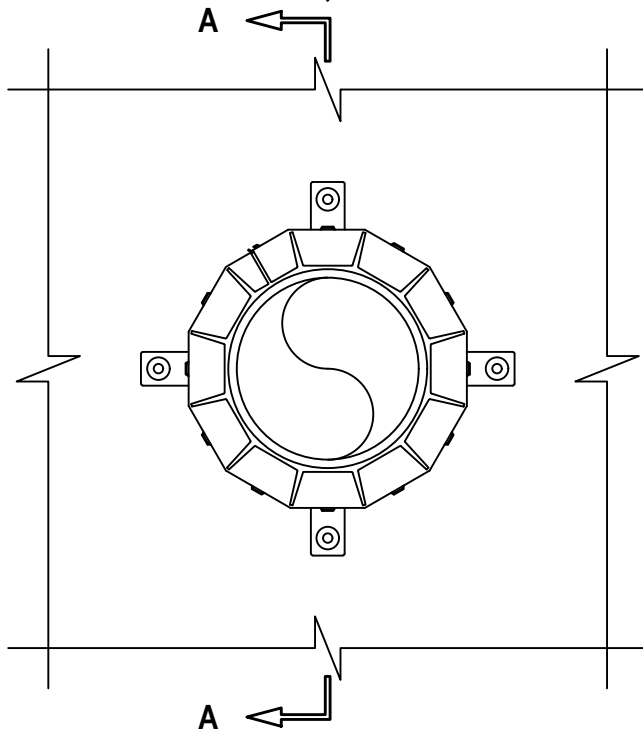
L-RATING AT AMBIENT = 3 CFM / SQ FT

L-RATING AT 400°F = LESS THAN 1 CFM / SQ FT

cUL WL2078a.081722

FRONT VIEW

SECTION A-A



HILTI, Inc.
Plano, Texas USA (800) 879-8000

Sheet	1 of 2
Scale	5/32" = 1"
Date	Aug. 17, 2022

Drawing No.
cUL
WL2078a

Saving Lives through Innovation and Education

PLASTIC PIPE THROUGH GYPSUM WALL ASSEMBLY

F-RATING = 1-HR. OR 2-HR.

FT-RATING = 0-HR., 1-HR, OR 2-HR. (SEE NOTE NO. 5 BELOW)

FH-RATING = 1-HR. OR 2-HR.

FTH-RATING = 0-HR., 1-HR, OR 2-HR. (SEE NOTE NO. 5 BELOW)

L-RATING AT AMBIENT = 3 CFM / SQ FT

L-RATING AT 400°F = LESS THAN 1 CFM / SQ FT

cUL WL2078a.081722

1. GYPSUM WALL ASSEMBLY (UL CLASSIFIED U300, U400, OR V400 SERIES) (1-HR. OR 2-HR. FIRE-RATING) (2-HR. SHOWN).
2. [NOT SHOWN] WOOD STUDS TO CONSIST OF NOMINAL 2" x 4" LUMBER. STEEL STUDS TO BE MINIMUM 2-1/2" WIDE.
3. PENETRATING ITEM TO BE ONE OF THE FOLLOWING (ALSO SEE NOTE NO. 3 BELOW) :
 - A. MAXIMUM 10" NOMINAL DIAMETER PVC PLASTIC PIPE (CELLULAR OR SOLID CORE).
 - B. MAXIMUM 6" NOMINAL DIAMETER ABS PLASTIC PIPE (CELLULAR OR SOLID CORE).
 - C. MAXIMUM 6" NOMINAL DIAMETER FRPP PLASTIC PIPE.
 - D. MAXIMUM 4" NOMINAL DIAMETER PVDF PLASTIC PIPE.
4. HILTI FS-ONE MAX INTUMESCENT FIRESTOP SEALANT :
 - A. [OPTIONAL] MINIMUM 1/4" DEPTH OF SEALANT INSTALLED ON PIPES NOMINAL 6" AND SMALLER.
 - B. MINIMUM 1/2" DEPTH OF SEALANT INSTALLED ON PIPES LARGER THAN NOMINAL 6".
5. HILTI CP 643N OR CP 644 FIRESTOP COLLAR WITH FASTENING HOOKS (SEE TABLE BELOW).
6. ATTACH EACH FASTENING HOOK TO WALL ASSEMBLY WITH HILTI 3/16" TOGGLER BOLTS AND WASHERS. FOR PIPES 4" OR SMALLER, COLLARS MAY BE FASTENED WITH NO. 10 x 1-1/2" LONG DRYWALL OR LAMINATE SCREWS WITH 3/4" STEEL WASHERS (SEE NOTE NO. 4 BELOW).

NOMINAL PIPE DIAMETER	PRODUCT DESCRIPTION	NO. OF FASTENING HOOKS	MAXIMUM HOLE SIZE
1-1/2"	CP 643 50/1.5" N	2	2-1/8"
2"	CP 643 63/2" N	2	2-5/8"
3"	CP 643 90/3" N	3	4"
4"	CP 643 110/4" N	3	5"
6"	CP 643 160/6" N	4	7"
8"	CP 644 200/8"	10	9-1/2"
10"	CP 644 250/10"	12	11-1/2"

- NOTES :**
1. ANNULAR SPACE = MINIMUM 0", MAXIMUM 1/2".
 2. CLOSED OR VENTED PIPING SYSTEM (PVC, ABS, FRPP = SCHEDULE 40; PVDF = SDR 32.5).
 3. L-RATINGS ONLY APPLY ON PIPES NOMINAL 6" AND SMALLER, WHEN HILTI FS-ONE MAX INTUMESCENT FIRESTOP SEALANT IS USED.
 4. WHEN DRYWALL OR LAMINATE SCREW IS USED, FT AND FTH-RATINGS ARE 1-HR.
 5. WHEN MAXIMUM 6" DIAMETER PIPE IS USED, FT AND FTH-RATINGS ARE EQUAL TO THE HOURLY FIRE-RATING OF THE WALL. WHEN NOMINAL 8" OR 10 DIAMETER PIPE IS USED, FT AND FTH-RATINGS ARE 0-HR.



Hilti Firestop Systems

HILTI, Inc.
Plano, Texas USA (800) 879-8000

Sheet	2 of 2
Scale	-
Date	Aug. 17, 2022

Drawing No.

cUL
WL2078a