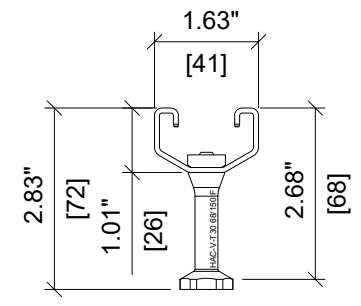
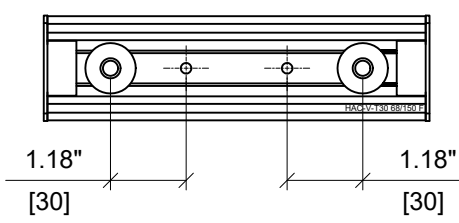


ELEVATION VIEW

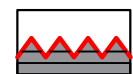


SECTION A-A'



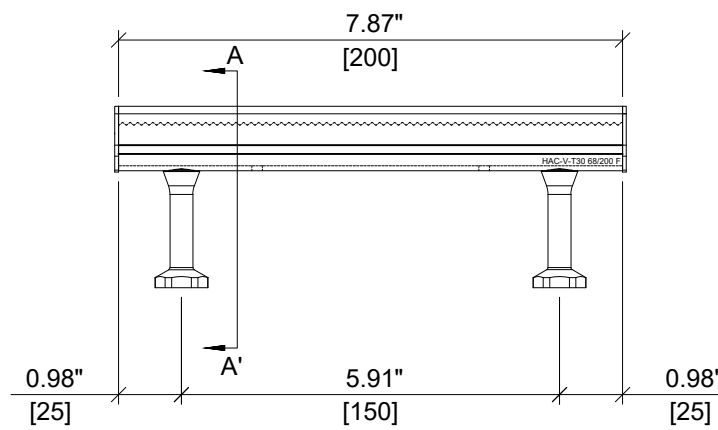
PLAN VIEW



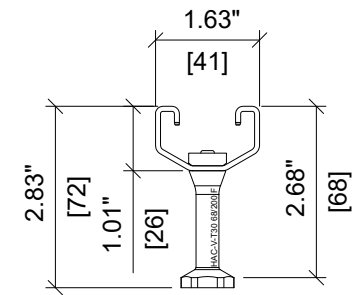
ITEM NUMBER: TBD	CHANNEL LIP: SERRATED 
----------------------------	---

ITEM DESCRIPTION:
HAC-V-T30 68/150 F

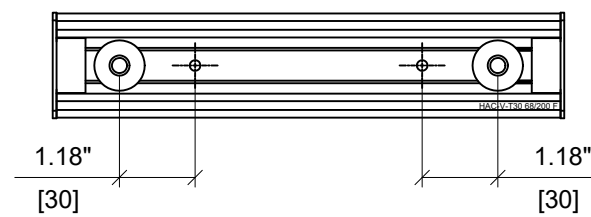




ELEVATION VIEW

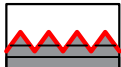


SECTION A-A'



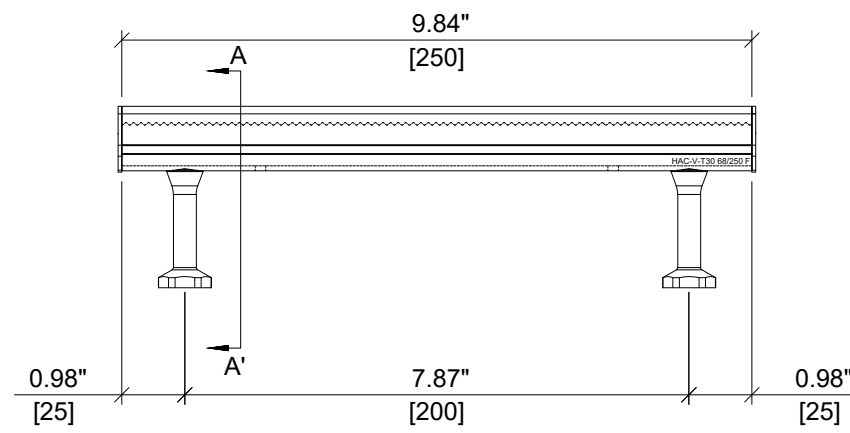
PLAN VIEW



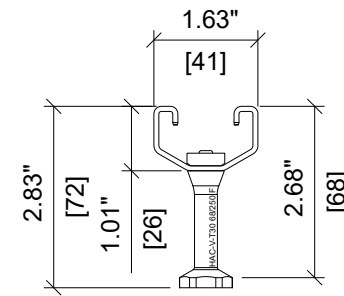
ITEM NUMBER: 2331630	CHANNEL LIP: SERRATED 
--------------------------------	---

ITEM DESCRIPTION:
HAC-V-T30 68/200 F

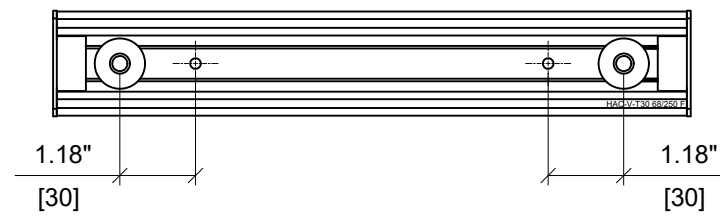




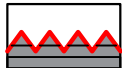
ELEVATION VIEW



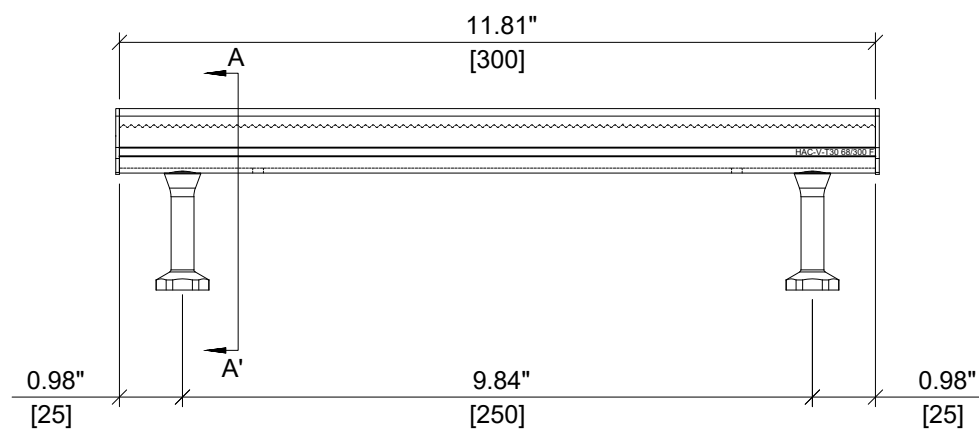
SECTION A-A'



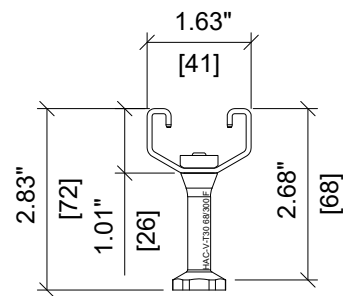
PLAN VIEW

HILTI	
ITEM NUMBER: 2331631	CHANNEL LIP: SERRATED 
ITEM DESCRIPTION: HAC-V-T30 68/250 F	

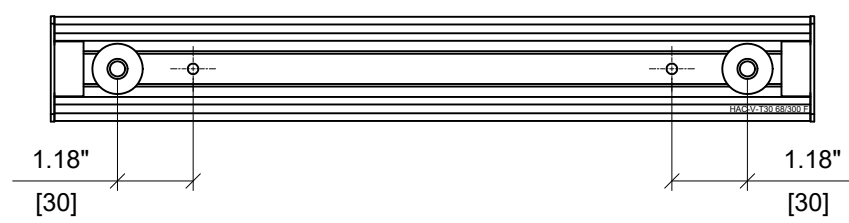




ELEVATION VIEW

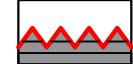


SECTION A-A'



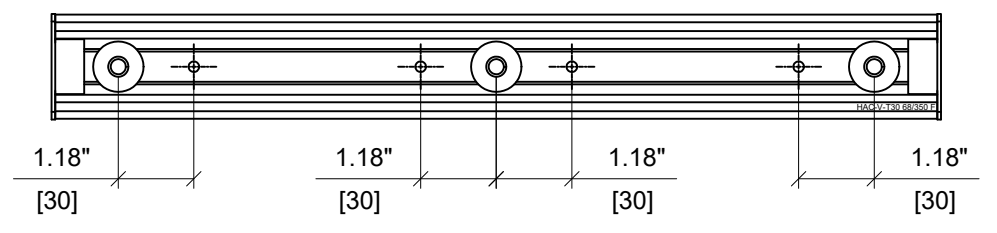
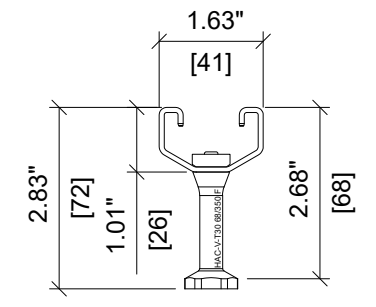
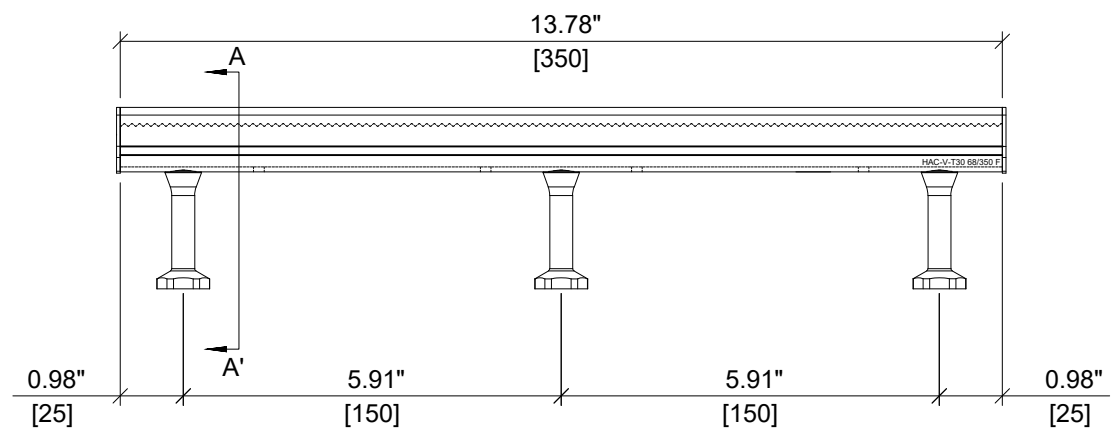
PLAN VIEW



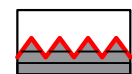
ITEM NUMBER: 2331632	CHANNEL LIP: SERRATED 
--------------------------------	---

ITEM DESCRIPTION:
HAC-V-T30 68/300 F

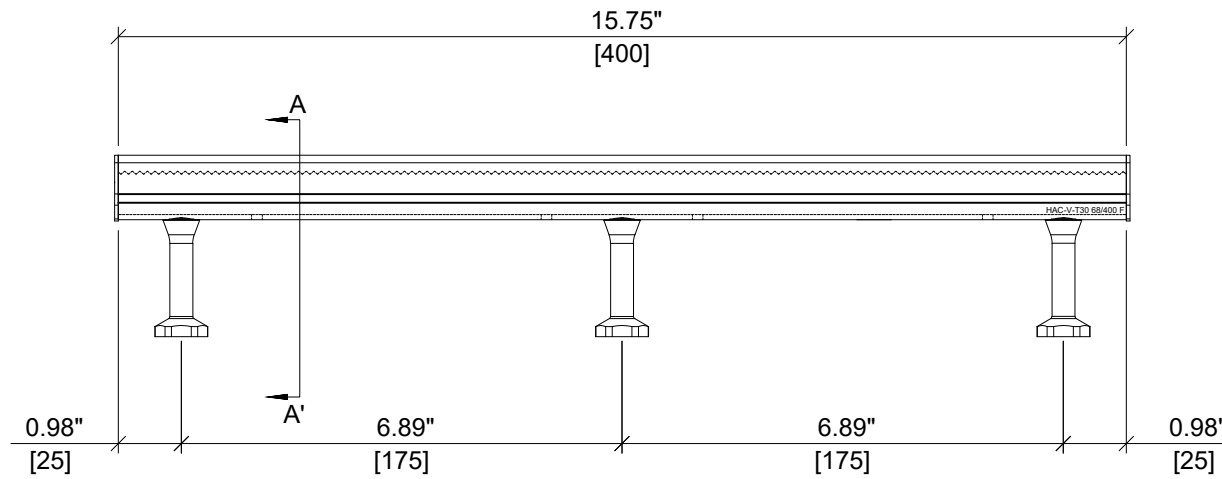




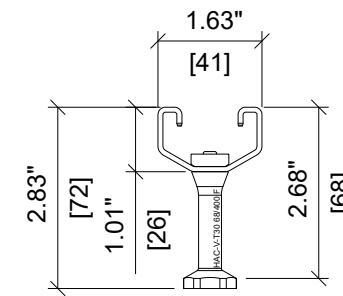
HILTI

ITEM NUMBER: TBD	CHANNEL LIP: SERRATED 
ITEM DESCRIPTION: HAC-V-T30 68/350 F	

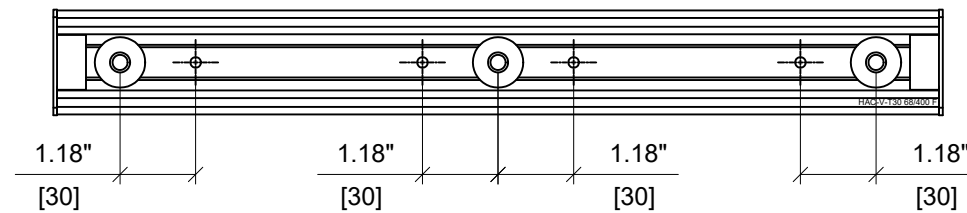




ELEVATION VIEW

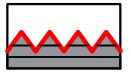


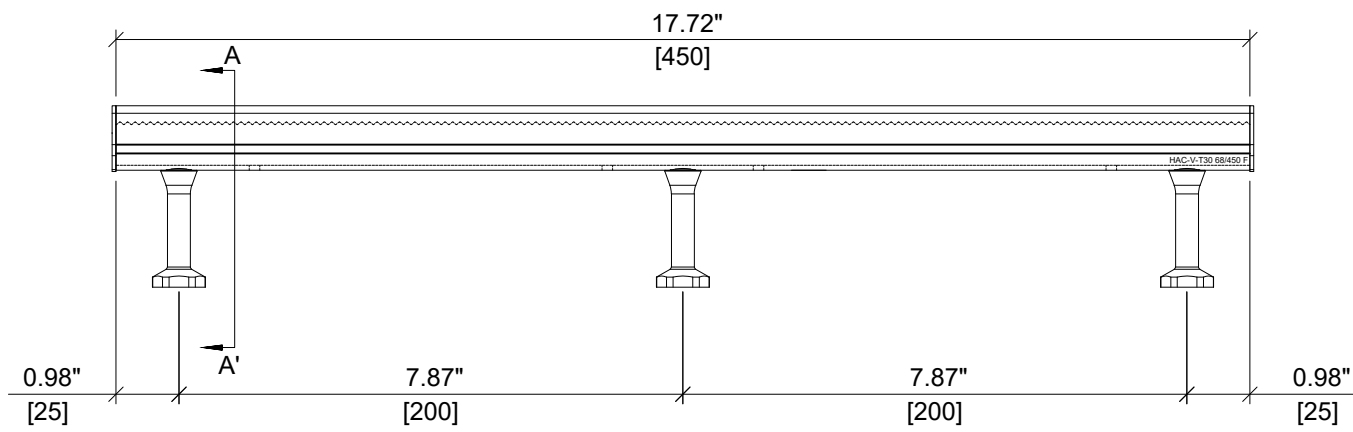
SECTION A-A'



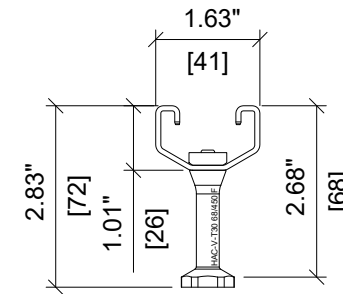
PLAN VIEW



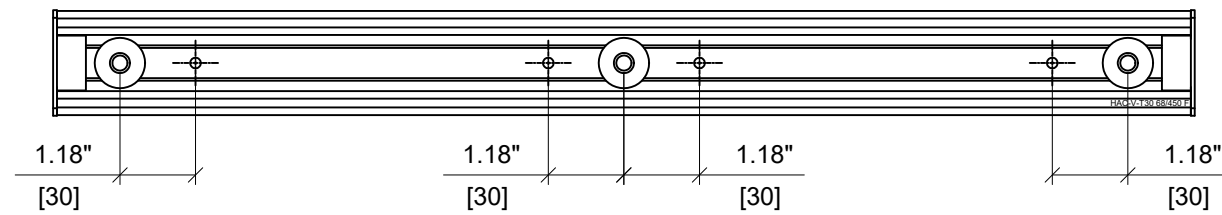
ITEM NUMBER: TBD	CHANNEL LIP: SERRATED 
ITEM DESCRIPTION: HAC-V-T30 68/400 F	



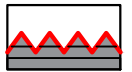
ELEVATION VIEW



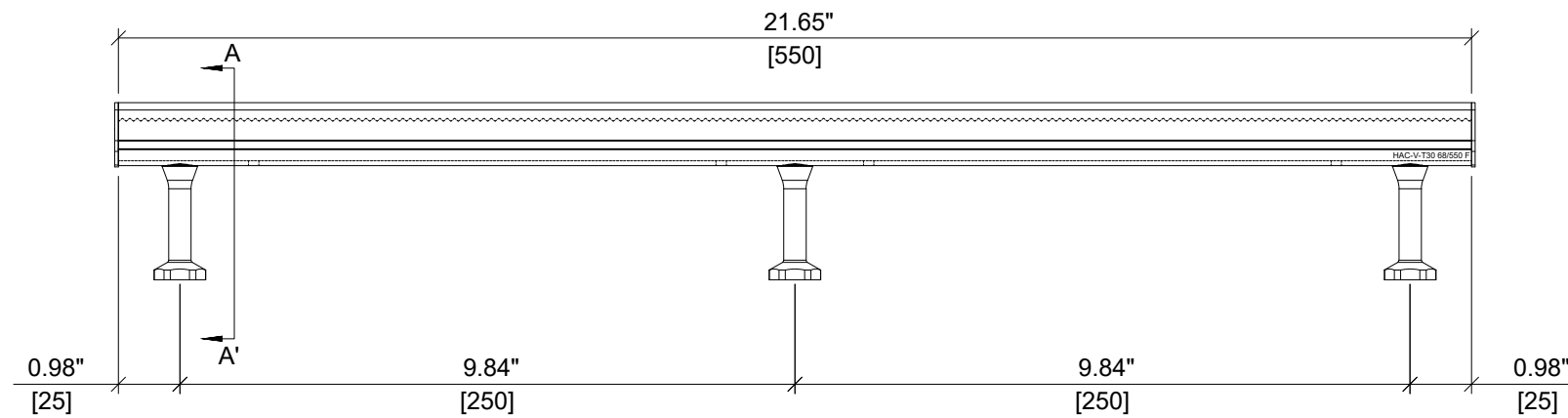
SECTION A-A'



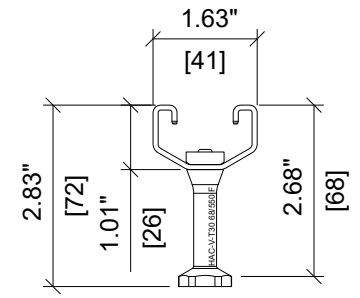
PLAN VIEW

HILTI	
ITEM NUMBER: TBD	CHANNEL LIP: SERRATED 
ITEM DESCRIPTION: HAC-V-T30 68/450 F	

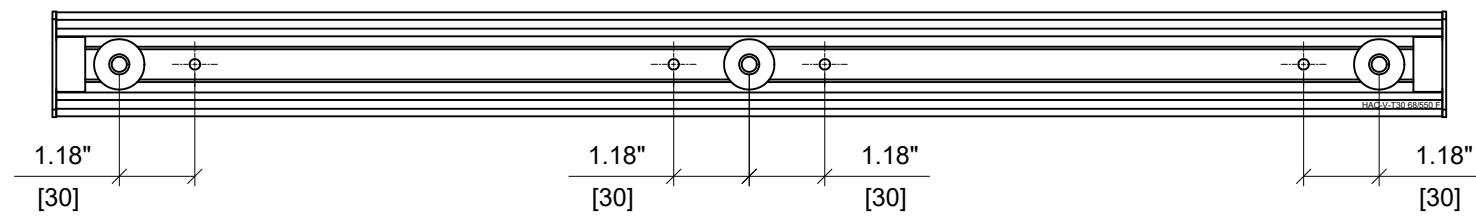




ELEVATION VIEW

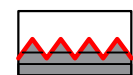


SECTION A-A'



PLAN VIEW



HILTI	
ITEM NUMBER: 2331633	CHANNEL LIP: SERRATED 
ITEM DESCRIPTION: HAC-V-T30 68/550 F	

1 2 3 4 5 6 7 8

A

B

C

D

E

F

A

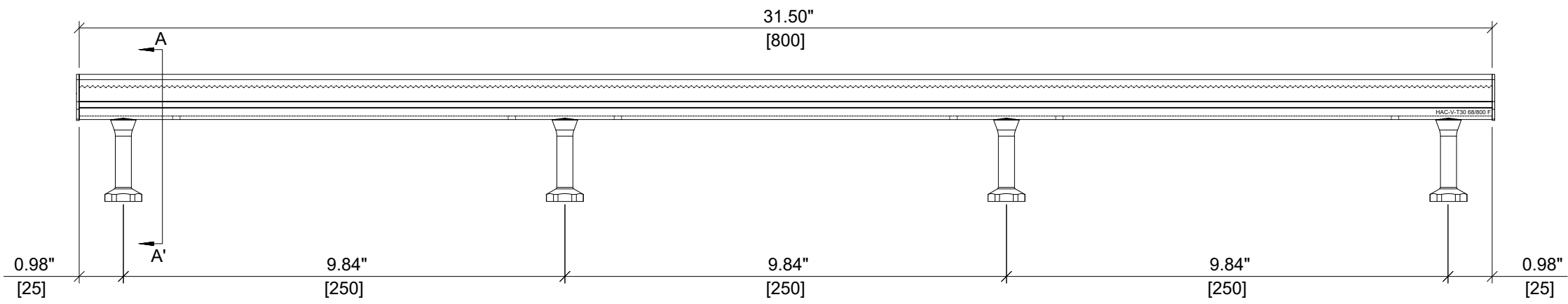
B

C

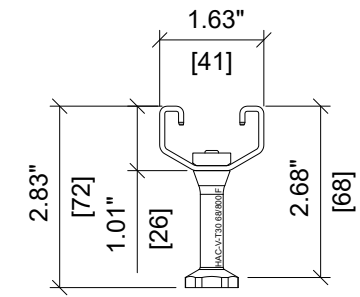
D

E

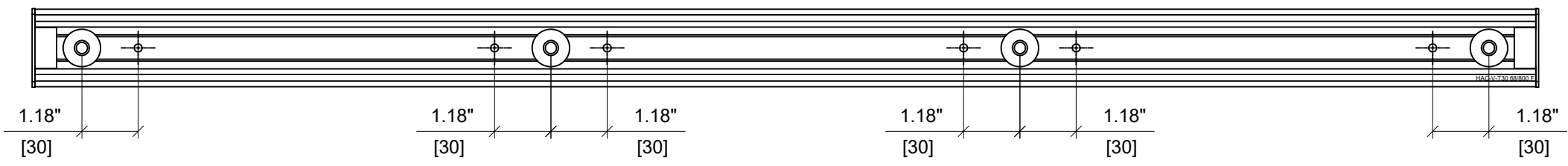
F



ELEVATION VIEW



SECTION A-A'



PLAN VIEW



ITEM NUMBER: 2331634	CHANNEL LIP: SERRATED 
--------------------------------	---

ITEM DESCRIPTION:
HAC-V-T30 68/800 F



1 2 3 4 5 6 7 8