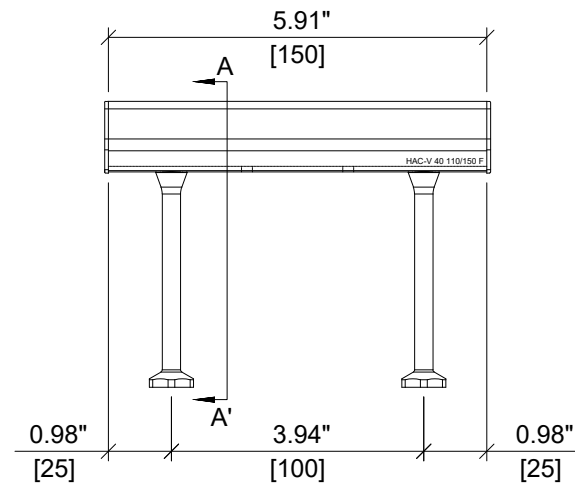
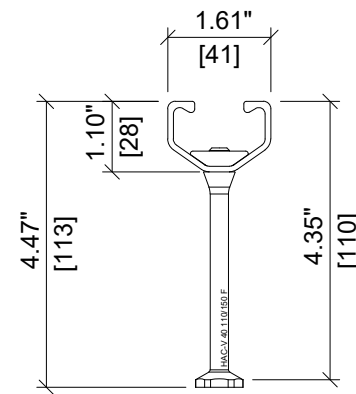


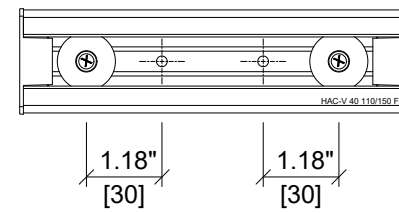
| ITEM | DESCRIPTION | QUANTITY |
|------|-----------------------|----------|
| 1 | CHANNEL PROFILE | 1 |
| 2 | RIVET CONNECTION | 2 |
| 3 | ROUNDED HEADED ANCHOR | 2 |
| 4 | END CAP | 2 |
| 5 | TEAR OUT BAND | 1 |
| 6 | FILLER FOAM | 1 |



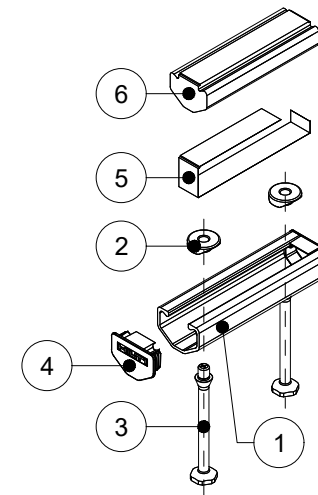
ELEVATION VIEW



SECTION A-A'



PLAN VIEW



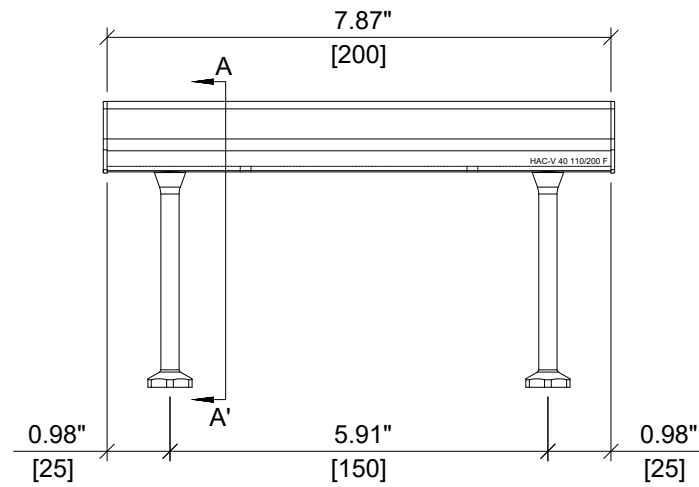
ISOMETRIC VIEW

HILTI

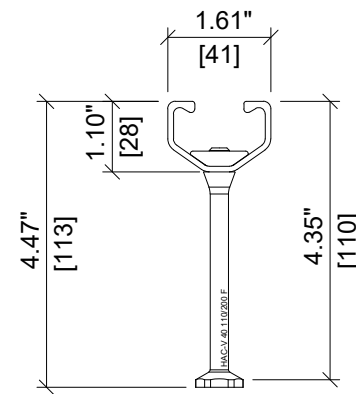
| | |
|--|-------------------------------|
| ITEM NUMBER: 2331489 | CHANNEL LIP: SMOOTH |
| ITEM DESCRIPTION: HAC-V 40 110/150 F | |



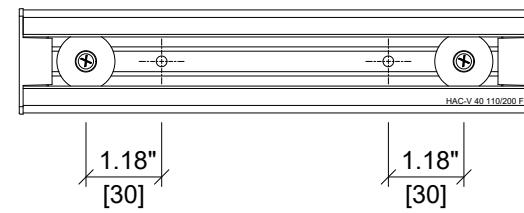
| ITEM | DESCRIPTION | QUANTITY |
|------|-----------------------|----------|
| 1 | CHANNEL PROFILE | 1 |
| 2 | RIVET CONNECTION | 2 |
| 3 | ROUNDED HEADED ANCHOR | 2 |
| 4 | END CAP | 2 |
| 5 | TEAR OUT BAND | 1 |
| 6 | FILLER FOAM | 1 |



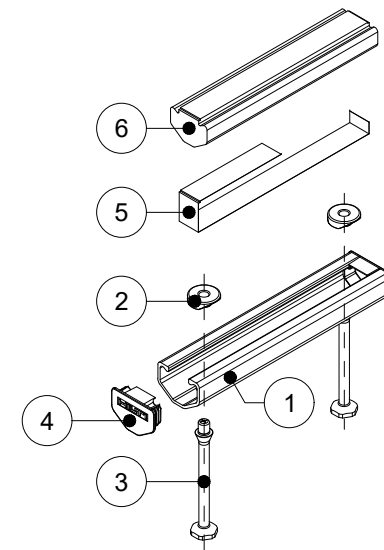
ELEVATION VIEW



SECTION A-A'



PLAN VIEW



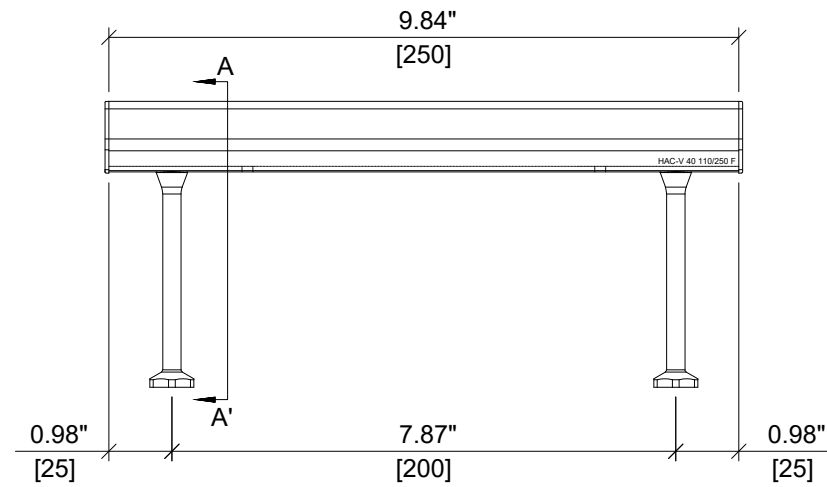
ISOMETRIC VIEW

HILTI

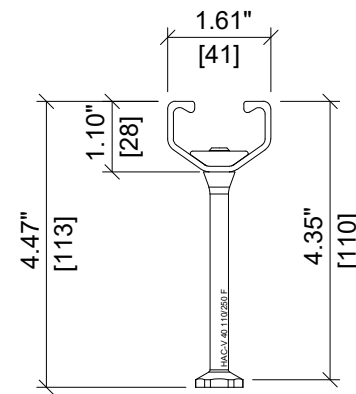
| | |
|--|---|
| ITEM NUMBER: <div style="font-size: 18px; font-weight: bold; text-align: center;">2331490</div> | CHANNEL LIP: <div style="font-size: 18px; font-weight: bold; text-align: center;">SMOOTH</div> |
| ITEM DESCRIPTION: <div style="font-size: 18px; font-weight: bold; text-align: center;">HAC-V 40 110/200 F</div> | |



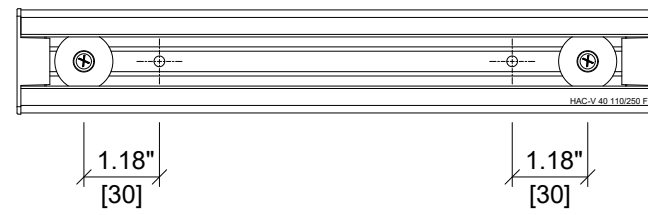
| ITEM | DESCRIPTION | QUANTITY |
|------|-----------------------|----------|
| 1 | CHANNEL PROFILE | 1 |
| 2 | RIVET CONNECTION | 2 |
| 3 | ROUNDED HEADED ANCHOR | 2 |
| 4 | END CAP | 2 |
| 5 | TEAR OUT BAND | 1 |
| 6 | FILLER FOAM | 1 |



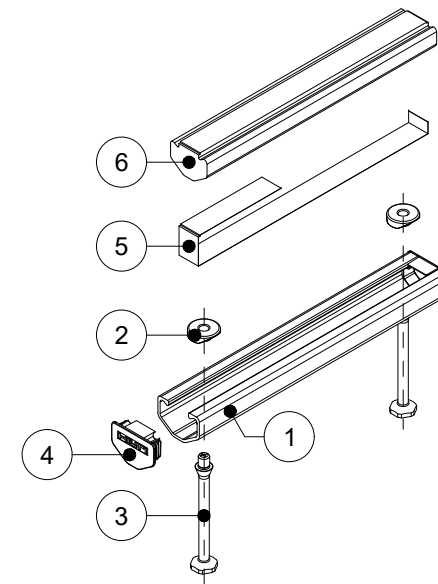
ELEVATION VIEW



SECTION A-A'



PLAN VIEW



ISOMETRIC VIEW

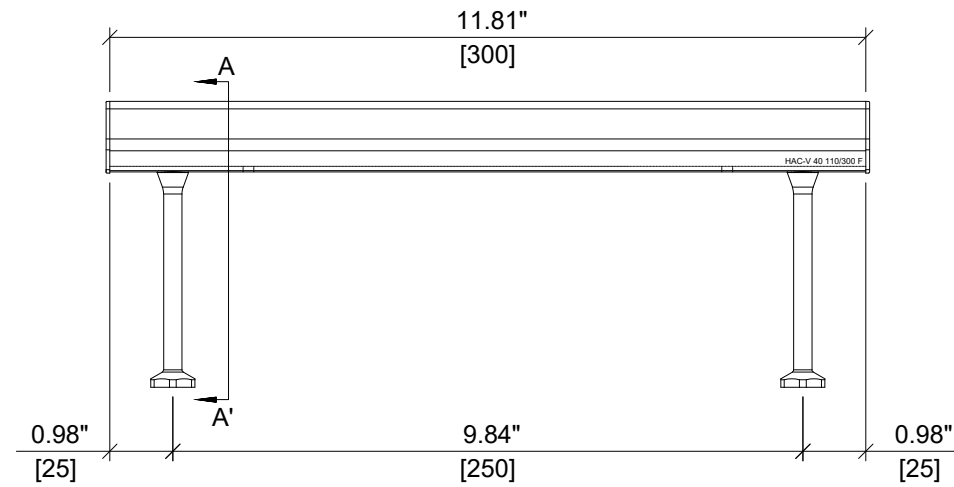


| | |
|--------------------------------|-------------------------------|
| ITEM NUMBER: 2331491 | CHANNEL LIP: SMOOTH |
|--------------------------------|-------------------------------|

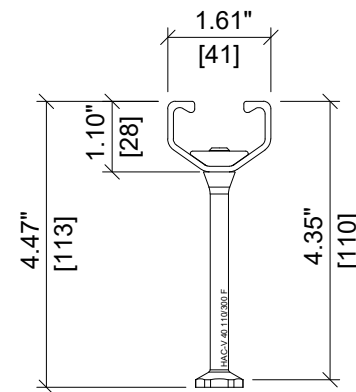
ITEM DESCRIPTION:
HAC-V 40 110/250 F



| ITEM | DESCRIPTION | QUANTITY |
|------|-----------------------|----------|
| 1 | CHANNEL PROFILE | 1 |
| 2 | RIVET CONNECTION | 2 |
| 3 | ROUNDED HEADED ANCHOR | 2 |
| 4 | END CAP | 2 |
| 5 | TEAR OUT BAND | 1 |
| 6 | FILLER FOAM | 1 |



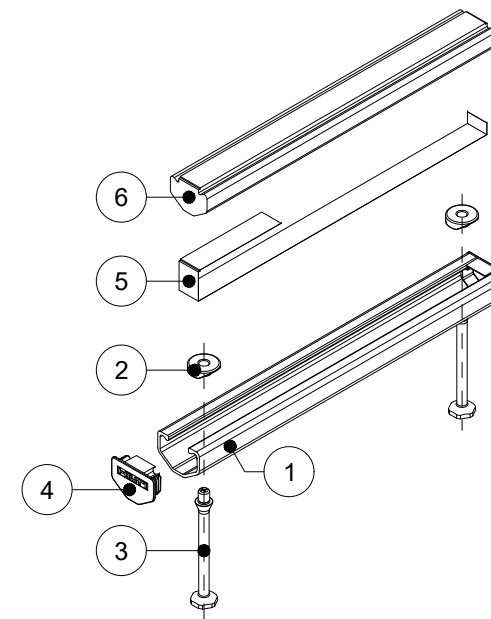
ELEVATION VIEW



SECTION A-A'



PLAN VIEW



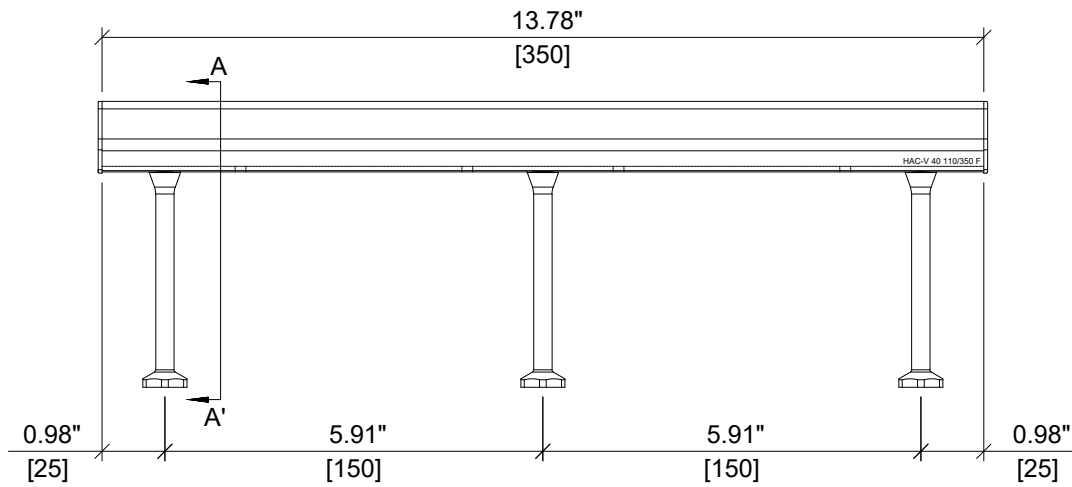
ISOMETRIC VIEW

HILTI

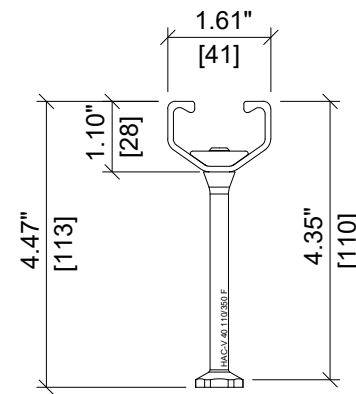
| | |
|--|--|
| ITEM NUMBER: <div style="font-size: 18px; font-weight: bold; text-align: center;">2331492</div> | CHANNEL LIP: <div style="font-size: 18px; font-weight: bold; text-align: center;">SMOOTH</div> <div style="text-align: right; margin-top: 5px;"> </div> |
| ITEM DESCRIPTION: <div style="font-size: 18px; font-weight: bold; text-align: center;">HAC-V 40 110/300 F</div> | |



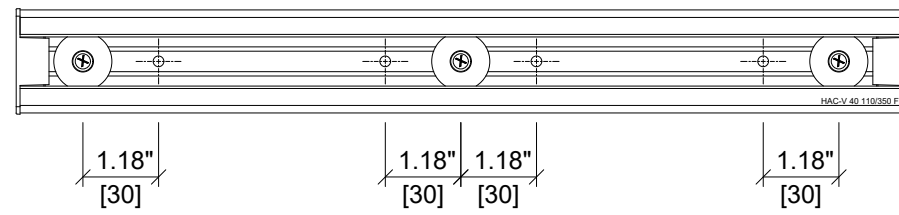
| ITEM | DESCRIPTION | QUANTITY |
|------|-----------------------|----------|
| 1 | CHANNEL PROFILE | 1 |
| 2 | RIVET CONNECTION | 3 |
| 3 | ROUNDED HEADED ANCHOR | 3 |
| 4 | END CAP | 2 |
| 5 | TEAR OUT BAND | 1 |
| 6 | FILLER FOAM | 1 |



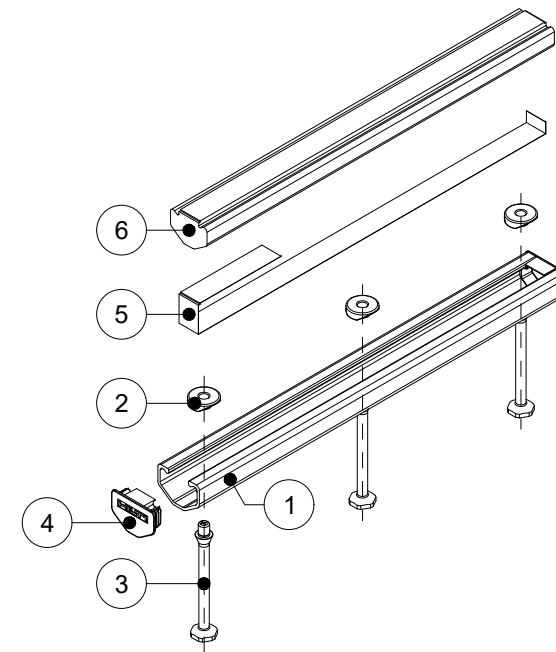
ELEVATION VIEW



SECTION A-A'



PLAN VIEW



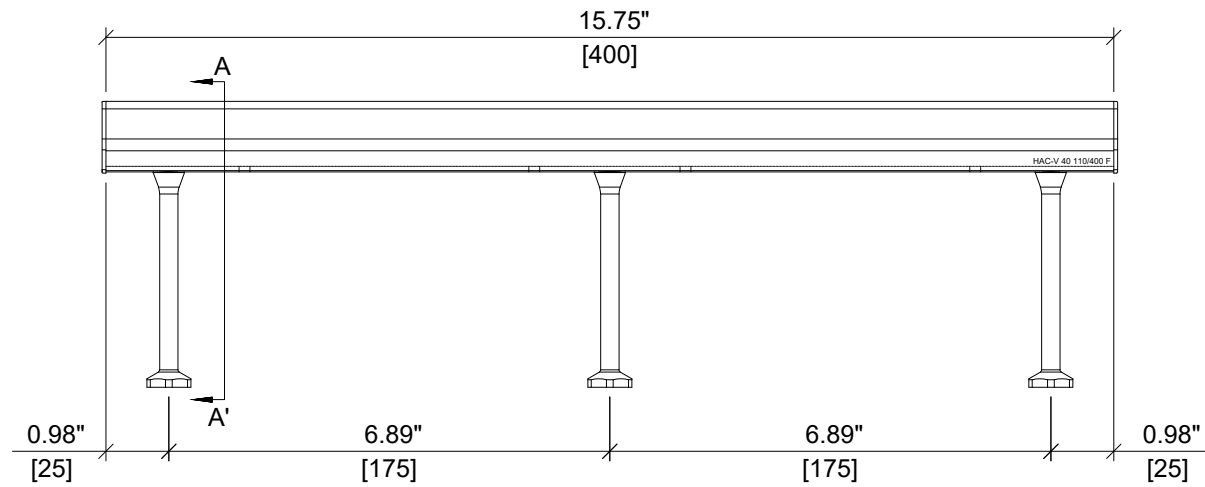
ISOMETRIC VIEW

HILTI

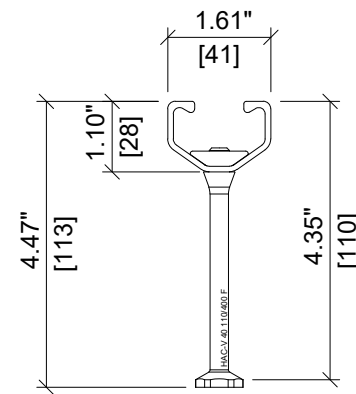
| | |
|--|--|
| ITEM NUMBER: <div style="font-size: 18px; font-weight: bold; text-align: center;">2331493</div> | CHANNEL LIP: <div style="font-size: 18px; font-weight: bold; text-align: center;">SMOOTH</div> <div style="text-align: right; margin-top: 5px;"> </div> |
| ITEM DESCRIPTION: <div style="font-size: 18px; font-weight: bold; text-align: center;">HAC-V 40 110/350 F</div> | |



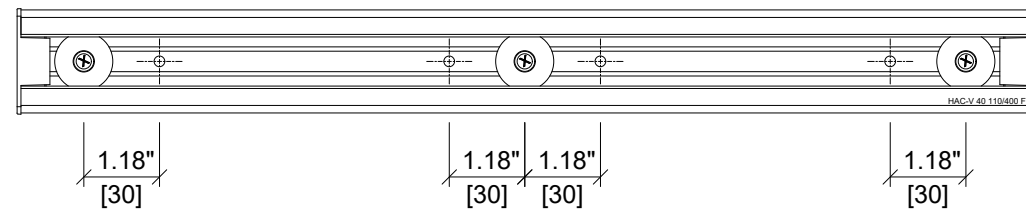
| ITEM | DESCRIPTION | QUANTITY |
|------|-----------------------|----------|
| 1 | CHANNEL PROFILE | 1 |
| 2 | RIVET CONNECTION | 3 |
| 3 | ROUNDED HEADED ANCHOR | 3 |
| 4 | END CAP | 2 |
| 5 | TEAR OUT BAND | 1 |
| 6 | FILLER FOAM | 1 |



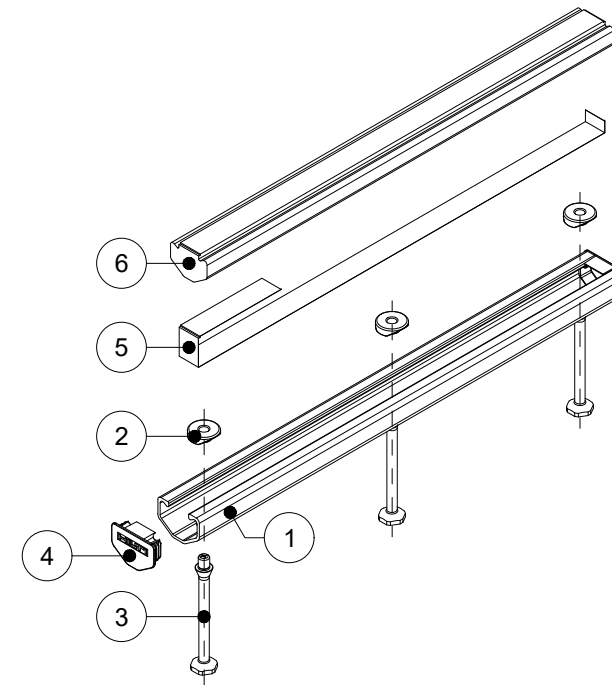
ELEVATION VIEW



SECTION A-A'



PLAN VIEW



ISOMETRIC VIEW

HILTI

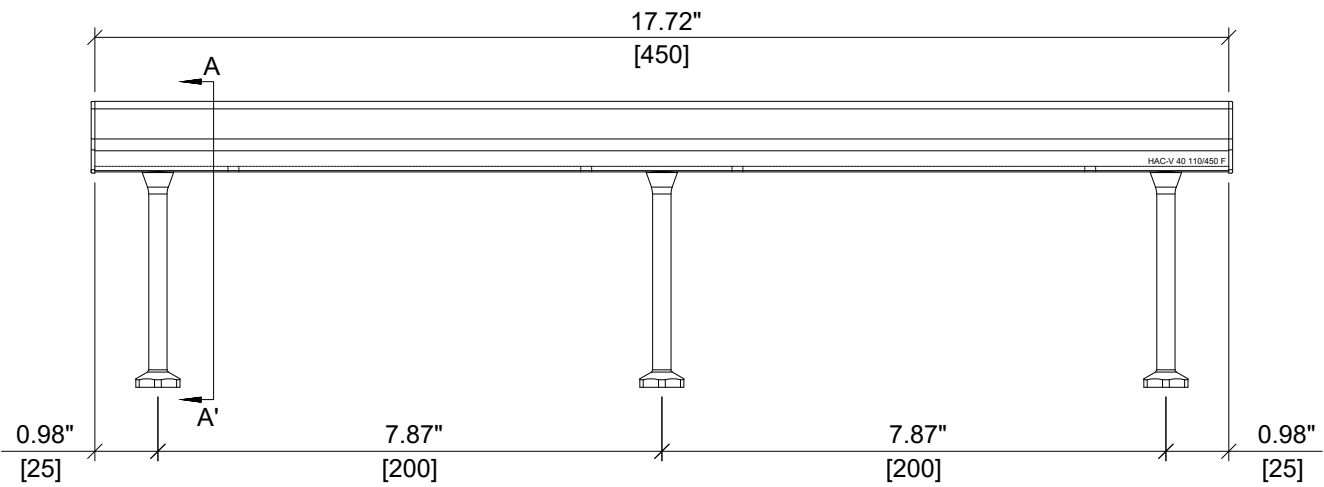
ITEM NUMBER: 2331494

CHANNEL LIP: SMOOTH

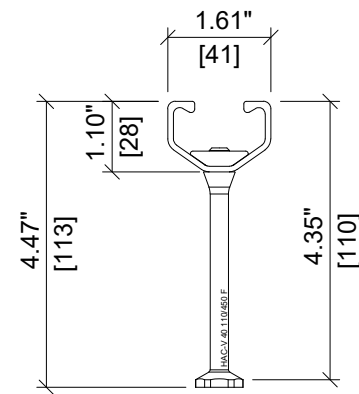
ITEM DESCRIPTION: HAC-V 40 110/400 F



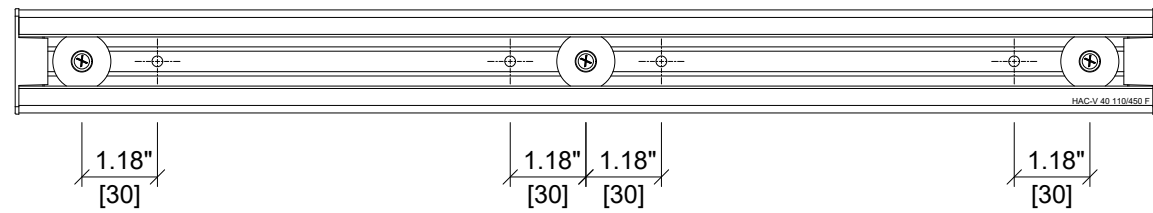
| ITEM | DESCRIPTION | QUANTITY |
|------|-----------------------|----------|
| 1 | CHANNEL PROFILE | 1 |
| 2 | RIVET CONNECTION | 3 |
| 3 | ROUNDED HEADED ANCHOR | 3 |
| 4 | END CAP | 2 |
| 5 | TEAR OUT BAND | 1 |
| 6 | FILLER FOAM | 1 |



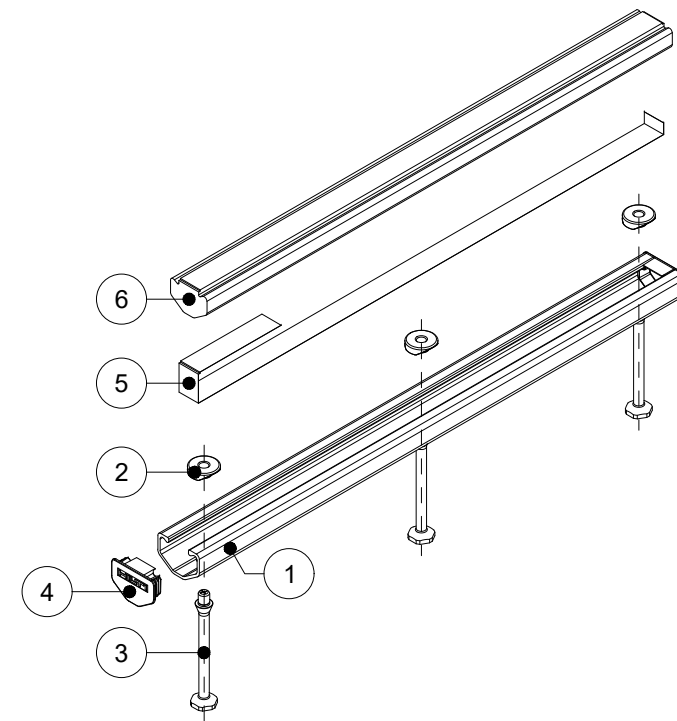
ELEVATION VIEW



SECTION A-A'



PLAN VIEW

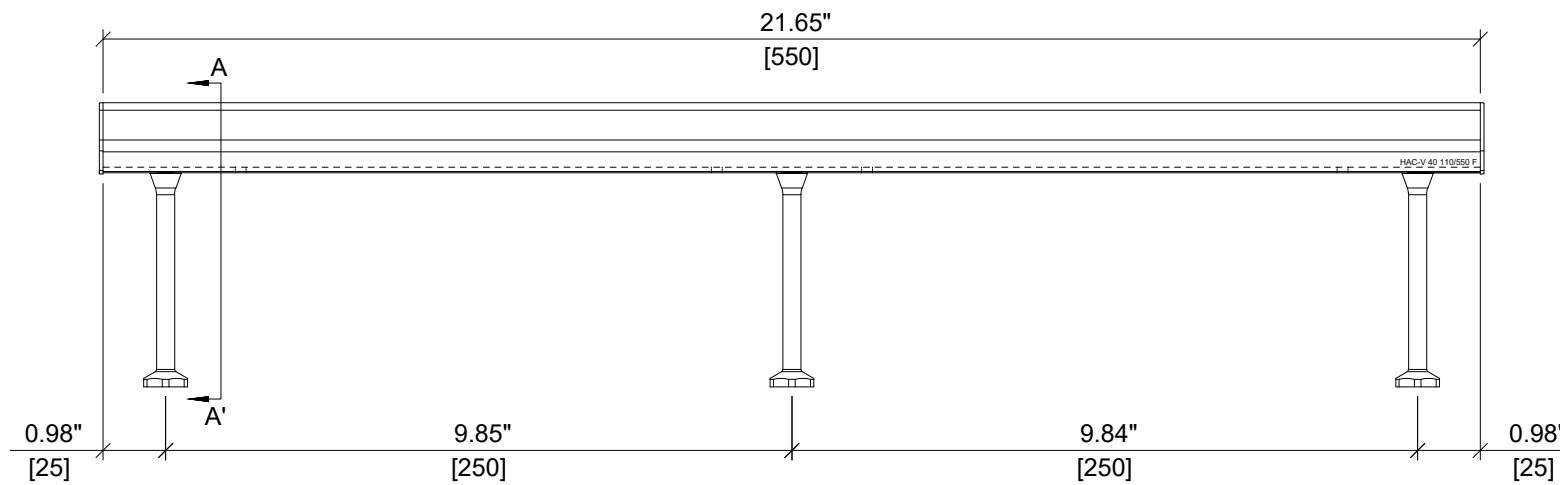


ISOMETRIC VIEW

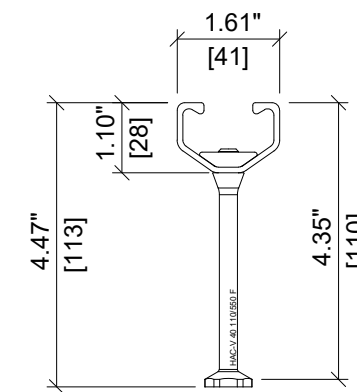
HILTI

| | |
|--|---|
| ITEM NUMBER: <div style="font-size: 18px; font-weight: bold;">2331495</div> | CHANNEL LIP: <div style="font-size: 18px; font-weight: bold;">SMOOTH</div> |
| ITEM DESCRIPTION: <div style="font-size: 18px; font-weight: bold;">HAC-V 40 110/450 F</div> | |

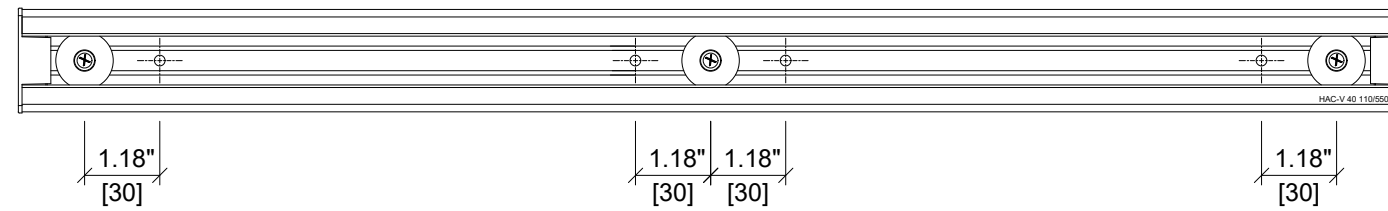




ELEVATION VIEW



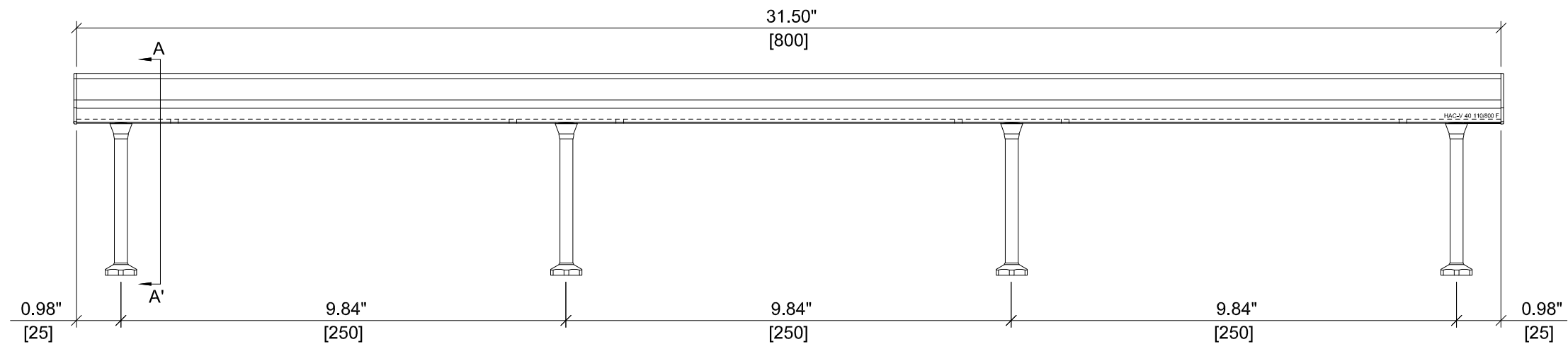
SECTION A-A'



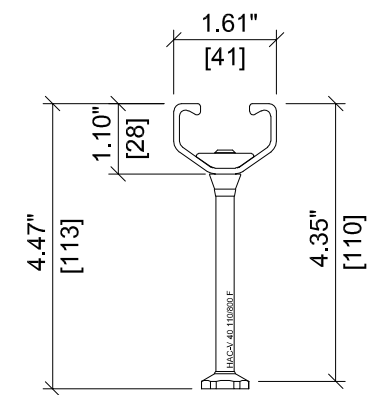
PLAN VIEW

| | |
|--|-------------------------------|
| HILTI | |
| ITEM NUMBER: TBD | CHANNEL LIP: SMOOTH |
| ITEM DESCRIPTION: HAC-V 40 110/550 F | |

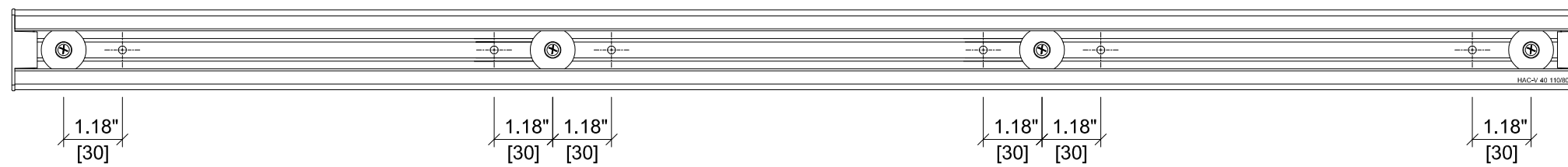




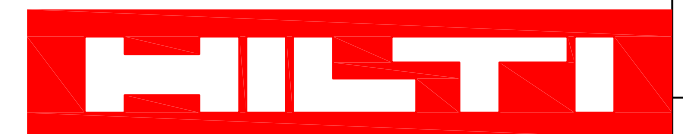
ELEVATION VIEW



SECTION A-A'



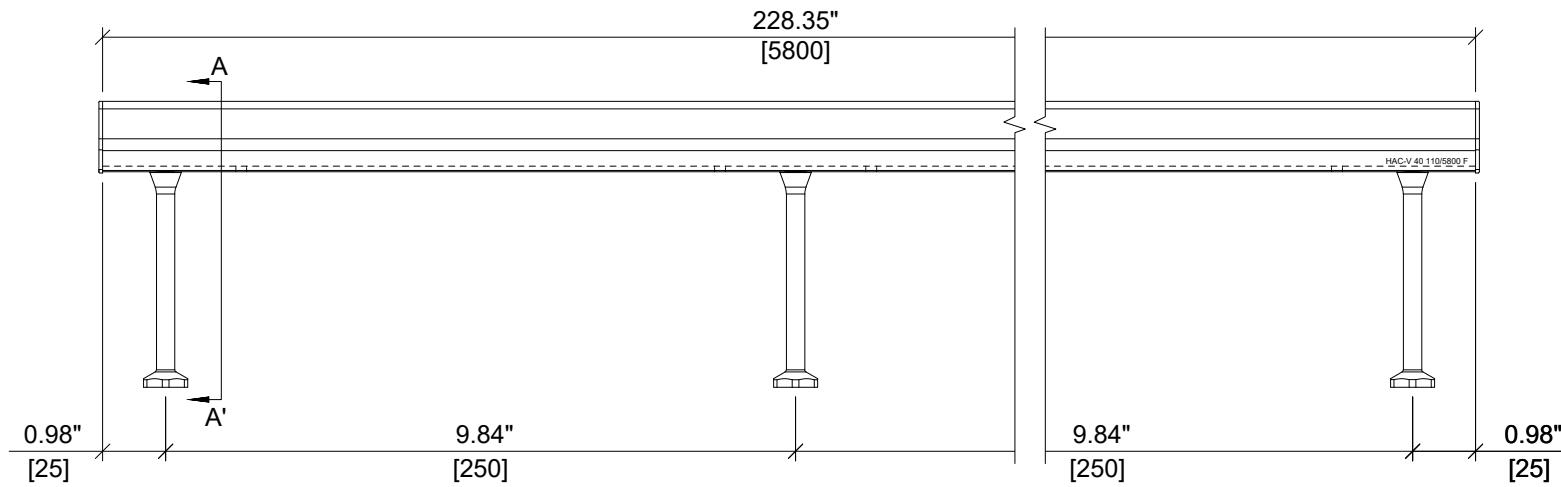
PLAN VIEW



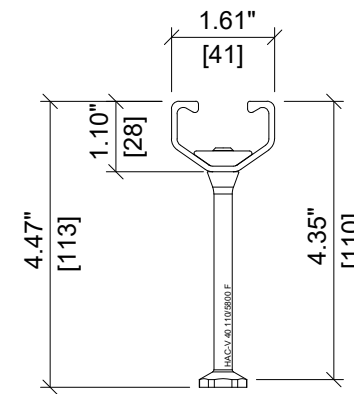
| | | |
|--|-------------------------------|--|
| ITEM NUMBER: TBD | CHANNEL LIP: SMOOTH | |
| ITEM DESCRIPTION: HAC-V 40 110/800 F | | |



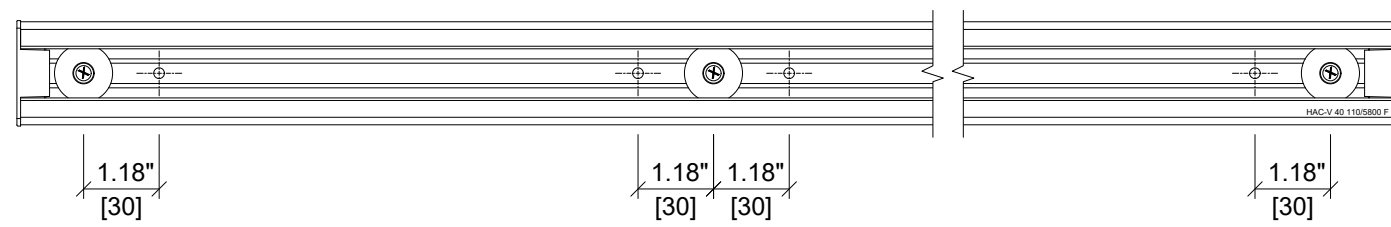
| ITEM | DESCRIPTION | QUANTITY |
|------|-----------------------|----------|
| 1 | CHANNEL PROFILE | 1 |
| 2 | RIVET CONNECTION | 24 |
| 3 | ROUNDED HEADED ANCHOR | 24 |
| 4 | END CAP | 2 |
| 5 | TEAR OUT BAND | 2 |
| 6 | FILLER FOAM | 1 |



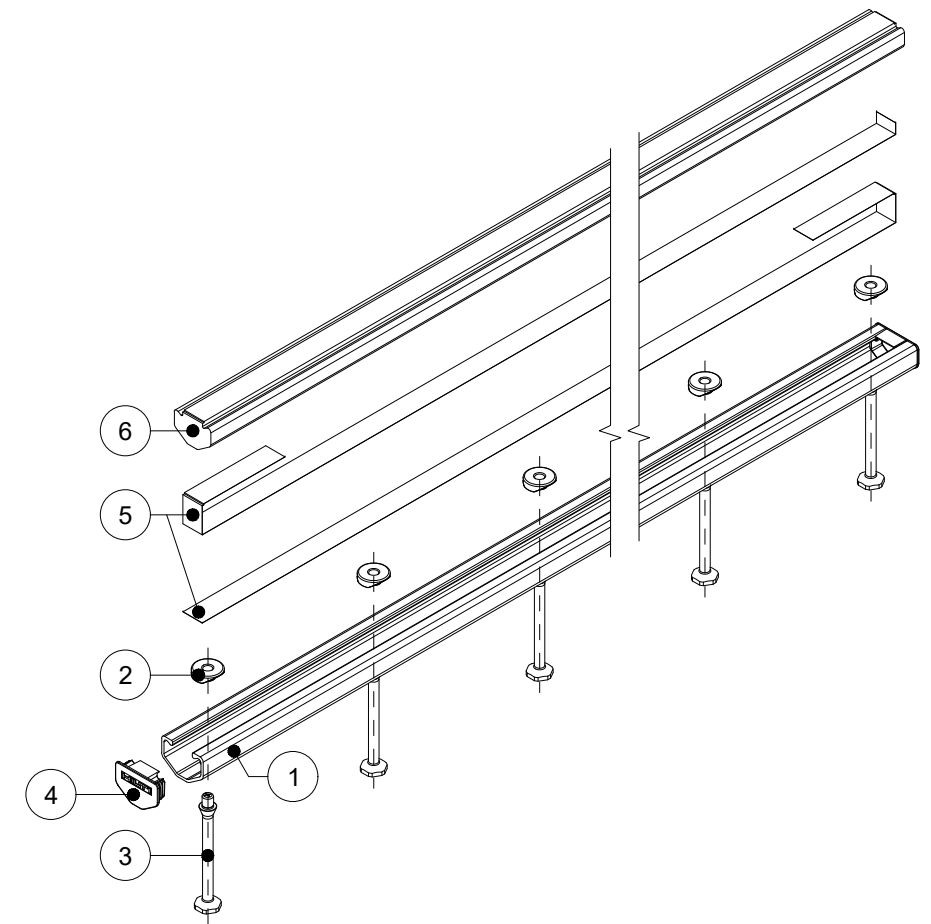
ELEVATION VIEW



SECTION A-A'



PLAN VIEW



ISOMETRIC VIEW

HILTI

| | |
|---|---|
| ITEM NUMBER: <div style="font-size: 18px; font-weight: bold; text-align: center;">2331496</div> | CHANNEL LIP: <div style="font-size: 18px; font-weight: bold; text-align: center;">SMOOTH</div> |
| ITEM DESCRIPTION: <div style="font-size: 18px; font-weight: bold; text-align: center;">HAC-V 40 110/5800 F</div> | |

