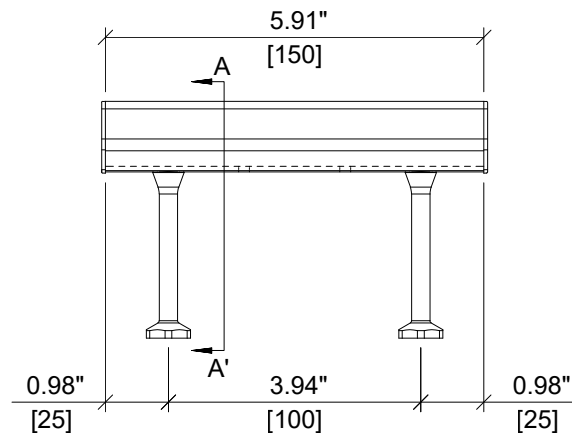
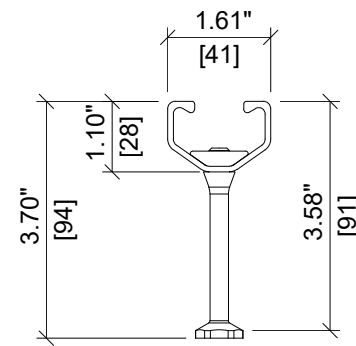


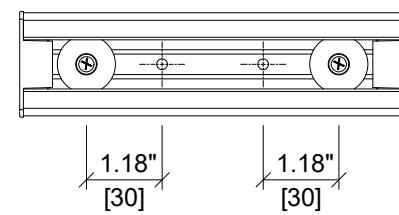
ITEM	DESCRIPTION	QUANTITY
1	CHANNEL PROFILE	1
2	RIVET CONNECTION	2
3	ROUNDED HEADED ANCHOR	2
4	END CAP	2
5	TEAR OUT BAND	1
6	FILLER FOAM	1



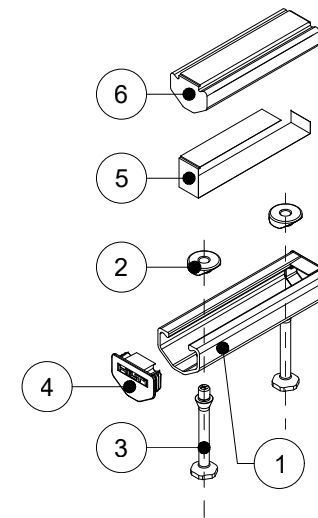
**ELEVATION VIEW**



**SECTION A-A'**



**PLAN VIEW**



**ISOMETRIC VIEW**

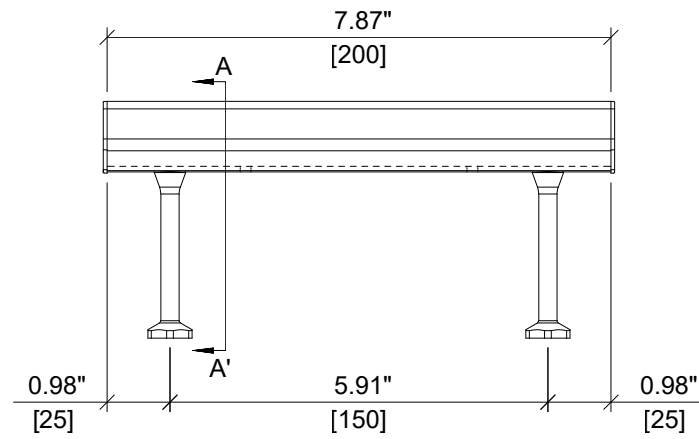


ITEM NUMBER: <b>2331482</b>	CHANNEL LIP: <b>SMOOTH</b>
--------------------------------	-------------------------------

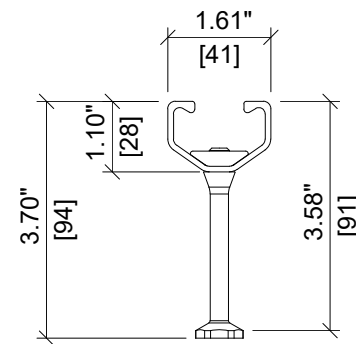
ITEM DESCRIPTION:  
**HAC-V 35 91/150 F assy**



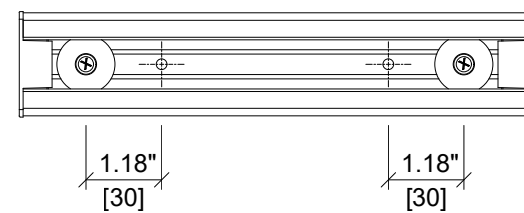
ITEM	DESCRIPTION	QUANTITY
1	CHANNEL PROFILE	1
2	RIVET CONNECTION	2
3	ROUNDED HEADED ANCHOR	2
4	END CAP	2
5	TEAR OUT BAND	1
6	FILLER FOAM	1



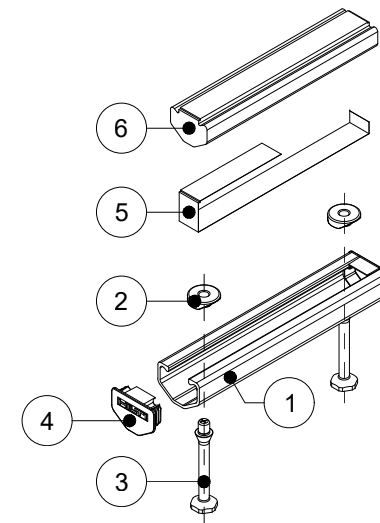
**ELEVATION VIEW**



**SECTION A-A'**



**PLAN VIEW**



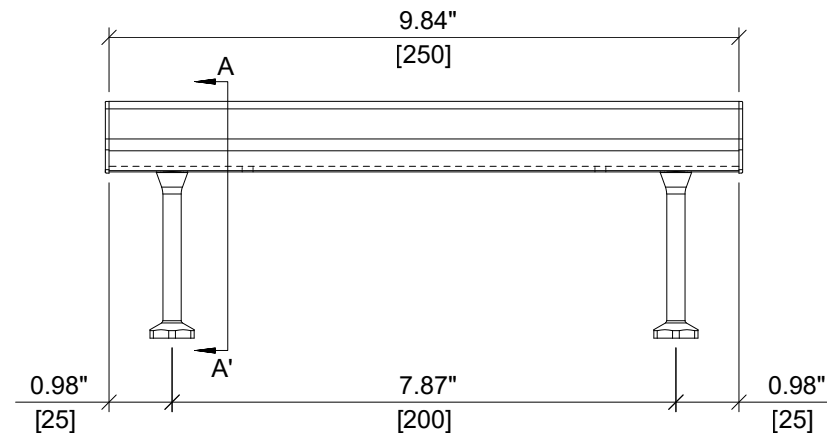
**ISOMETRIC VIEW**



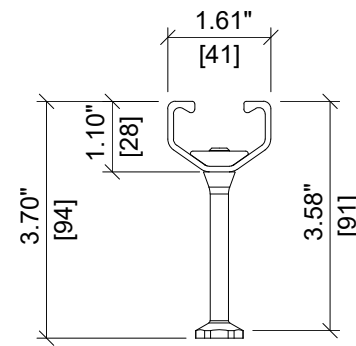
ITEM NUMBER: <b>2331483</b>	CHANNEL LIP: <b>SMOOTH</b>
ITEM DESCRIPTION: <b>HAC-V 35 91/200 F assy</b>	



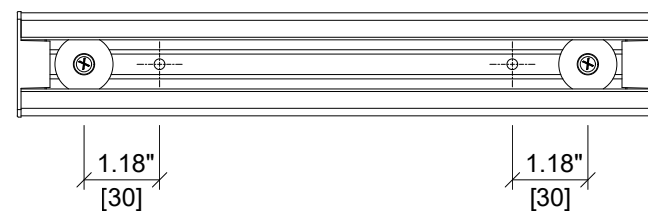
ITEM	DESCRIPTION	QUANTITY
1	CHANNEL PROFILE	1
2	RIVET CONNECTION	2
3	ROUNDED HEADED ANCHOR	2
4	END CAP	2
5	TEAR OUT BAND	1
6	FILLER FOAM	1



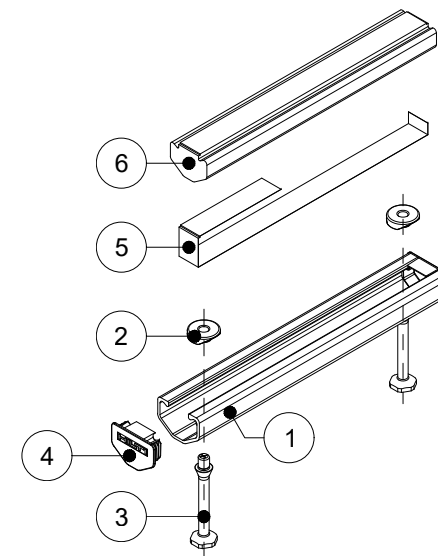
**ELEVATION VIEW**



**SECTION A-A'**



**PLAN VIEW**



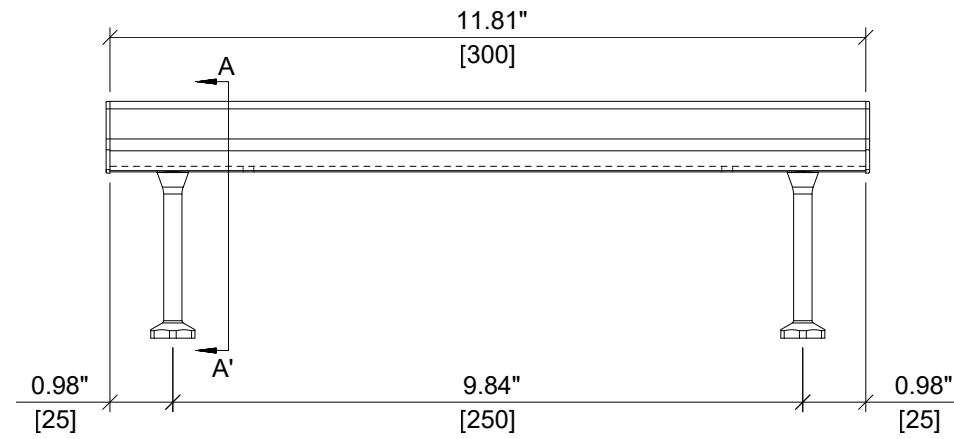
**ISOMETRIC VIEW**



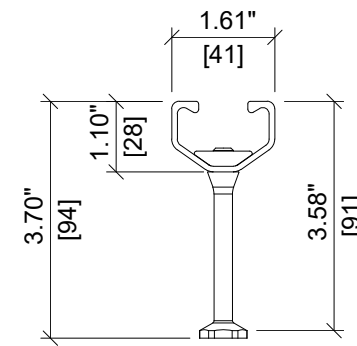
ITEM NUMBER: <b>2331484</b>	CHANNEL LIP: <b>SMOOTH</b>	
ITEM DESCRIPTION: <b>HAC-V 35 91/250 F assy</b>		



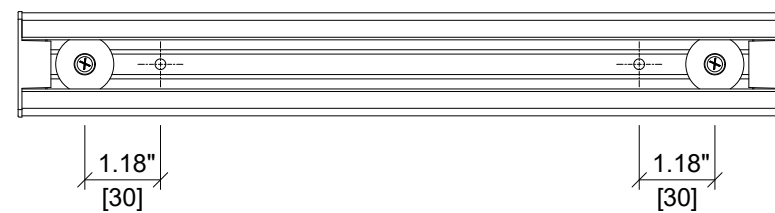
ITEM	DESCRIPTION	QUANTITY
1	CHANNEL PROFILE	1
2	RIVET CONNECTION	2
3	ROUNDED HEADED ANCHOR	2
4	END CAP	2
5	TEAR OUT BAND	1
6	FILLER FOAM	1



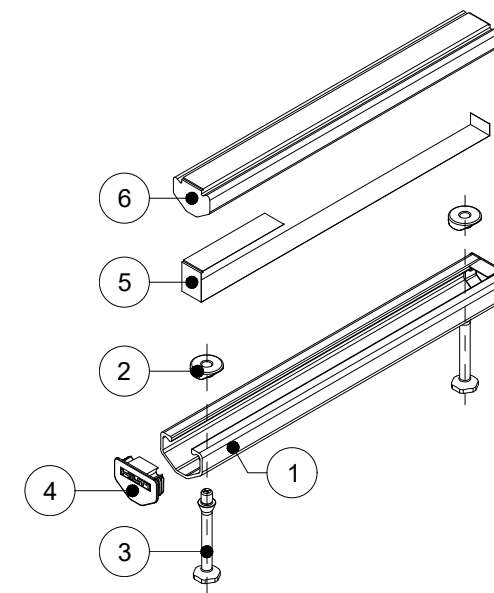
**ELEVATION VIEW**



**SECTION A-A'**



**PLAN VIEW**



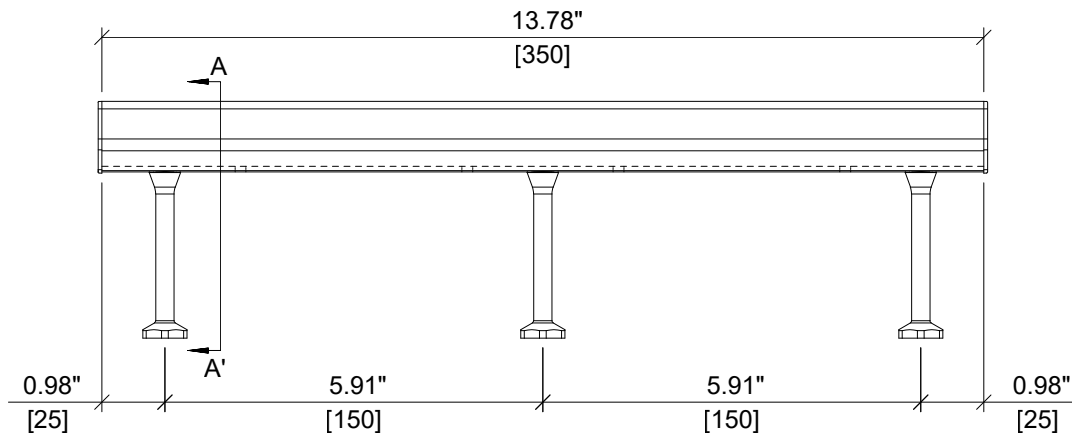
**ISOMETRIC VIEW**



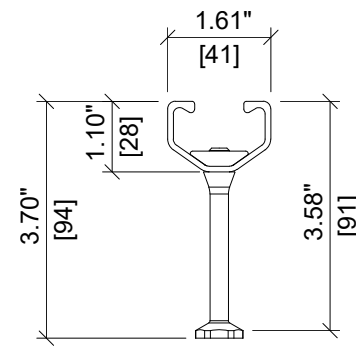
ITEM NUMBER: <b>2331485</b>	CHANNEL LIP: <b>SMOOTH</b>	
ITEM DESCRIPTION: <b>HAC-V 35 91/300 F assy</b>		



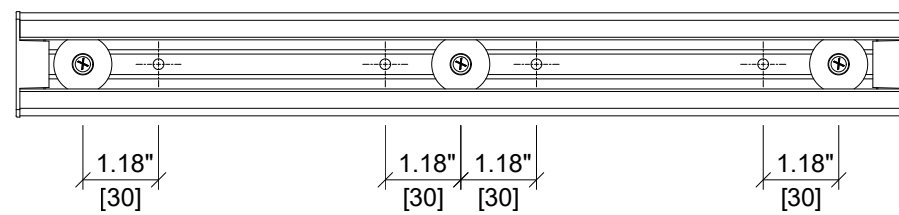
ITEM	DESCRIPTION	QUANTITY
1	CHANNEL PROFILE	1
2	RIVET CONNECTION	3
3	ROUNDED HEADED ANCHOR	3
4	END CAP	2
5	TEAR OUT BAND	1
6	FILLER FOAM	1



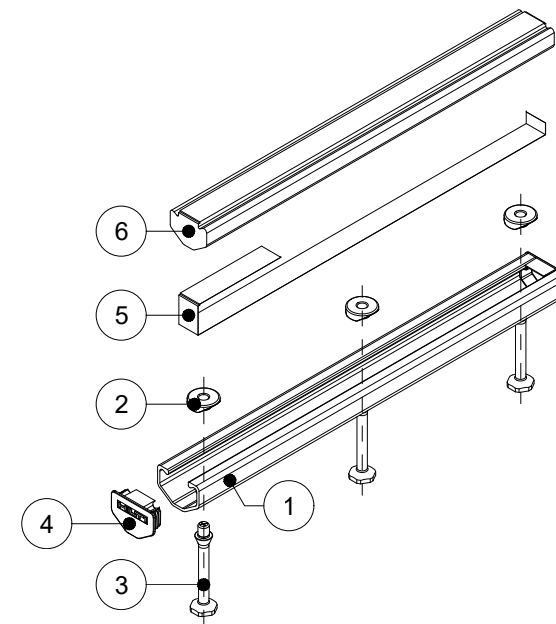
**ELEVATION VIEW**



**SECTION A-A'**



**PLAN VIEW**



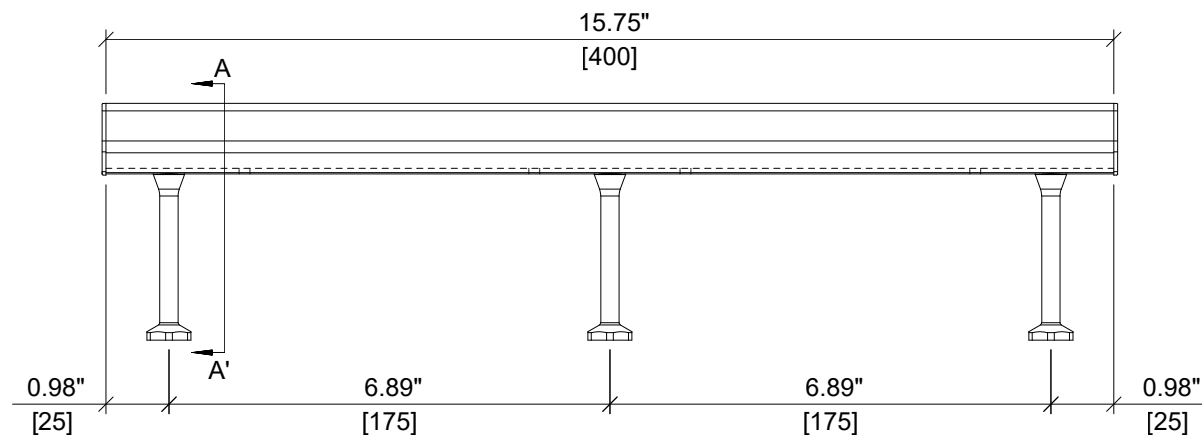
**ISOMETRIC VIEW**



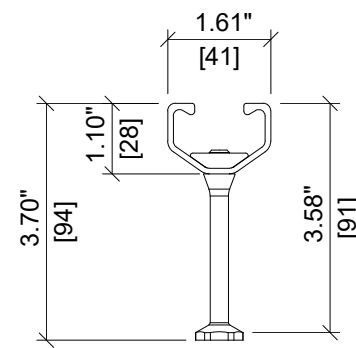
ITEM NUMBER: <b>2331486</b>	CHANNEL LIP: <b>SMOOTH</b>
ITEM DESCRIPTION: <b>HAC-V 35 91/350 F assy</b>	



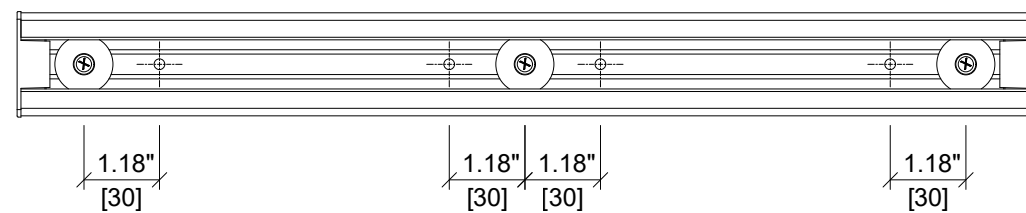
ITEM	DESCRIPTION	QUANTITY
1	CHANNEL PROFILE	1
2	RIVET CONNECTION	3
3	ROUNDED HEADED ANCHOR	3
4	END CAP	2
5	TEAR OUT BAND	1
6	FILLER FOAM	1



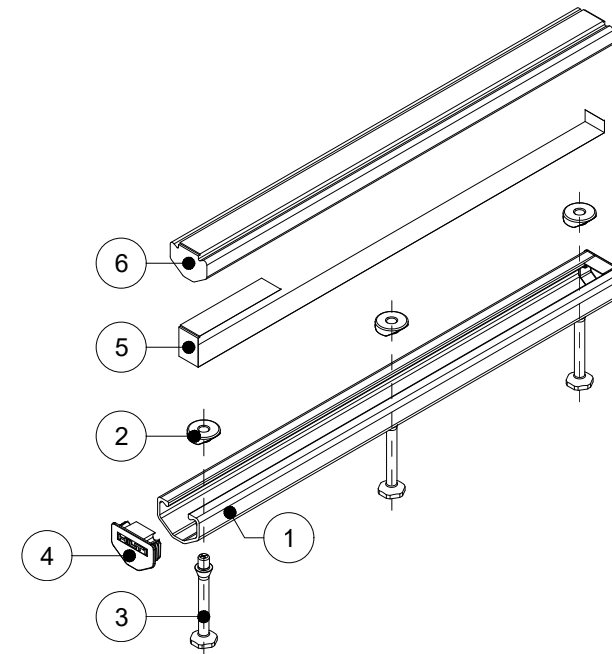
**ELEVATION VIEW**



**SECTION A-A'**



**PLAN VIEW**



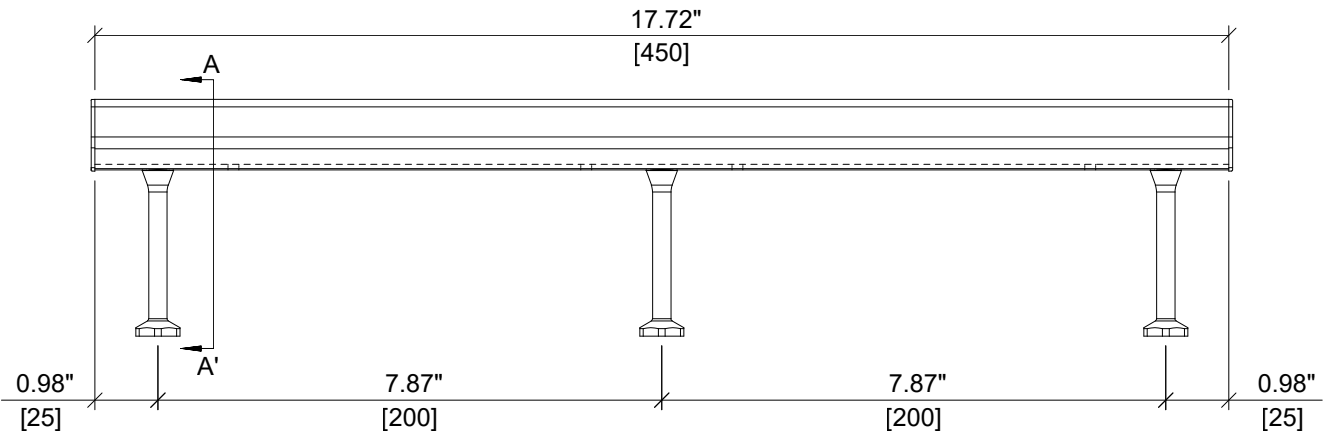
**ISOMETRIC VIEW**



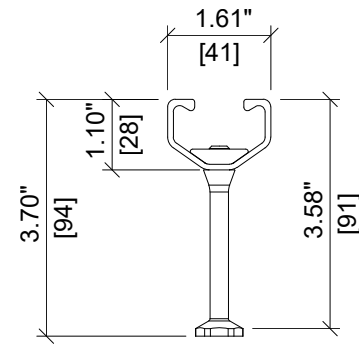
ITEM NUMBER: <b>2331487</b>	CHANNEL LIP: <b>SMOOTH</b>
ITEM DESCRIPTION: <b>HAC-V 35 91/400 F assy</b>	



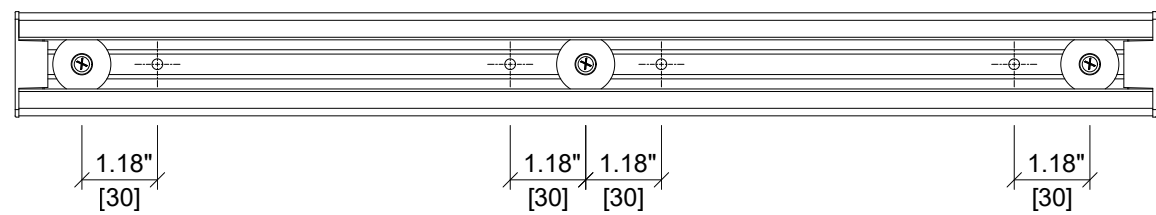
ITEM	DESCRIPTION	QUANTITY
1	CHANNEL PROFILE	1
2	RIVET CONNECTION	3
3	ROUNDED HEADED ANCHOR	3
4	END CAP	2
5	TEAR OUT BAND	1
6	FILLER FOAM	1



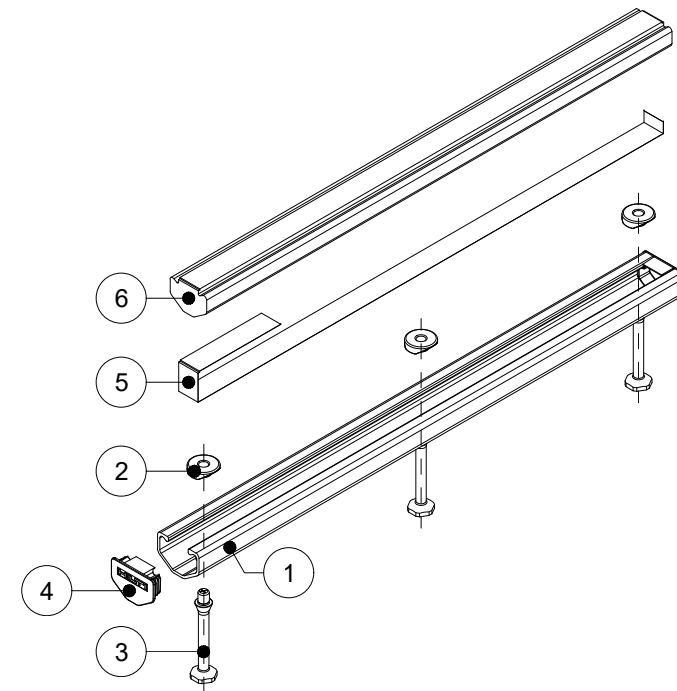
**ELEVATION VIEW**



**SECTION A-A'**



**PLAN VIEW**



**ISOMETRIC VIEW**



ITEM NUMBER:

2331488

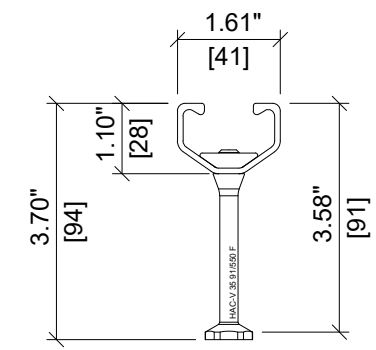
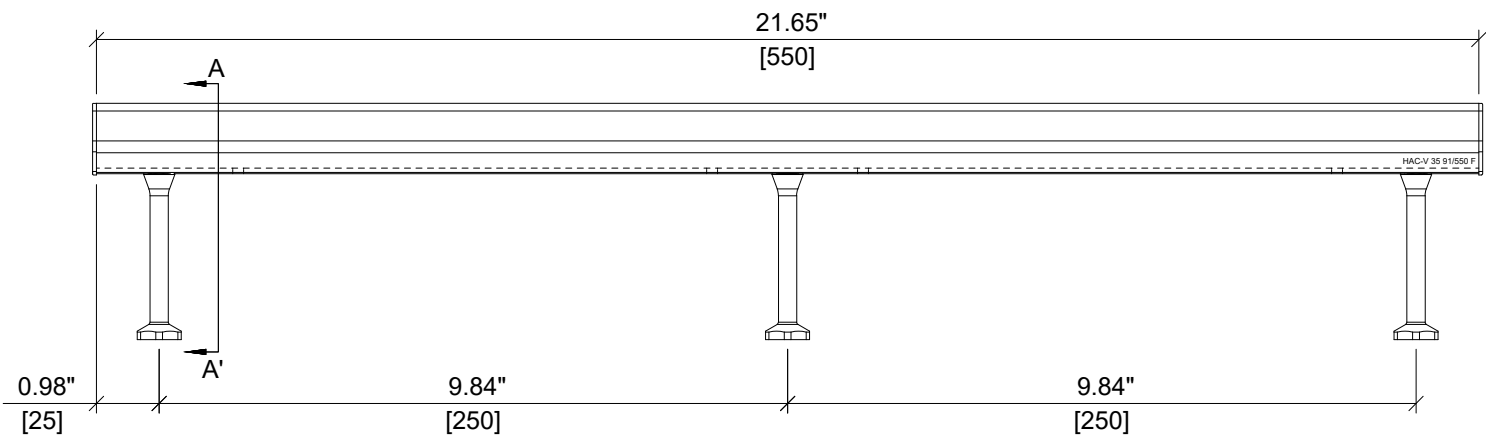
CHANNEL LIP:

SMOOTH

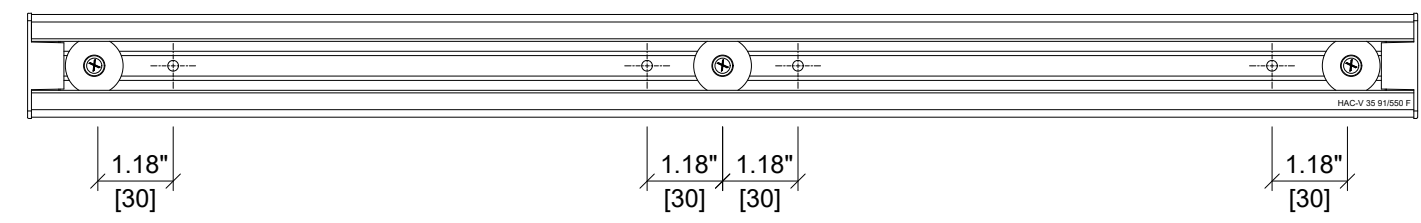


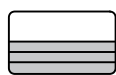
ITEM DESCRIPTION:

HAC-V 35 91/450 F assy

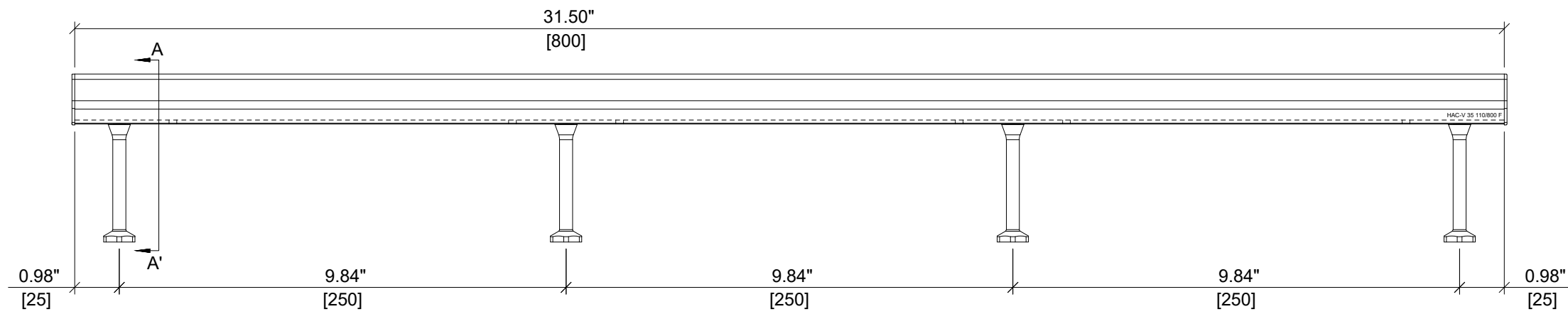


**SECTION A-A'**

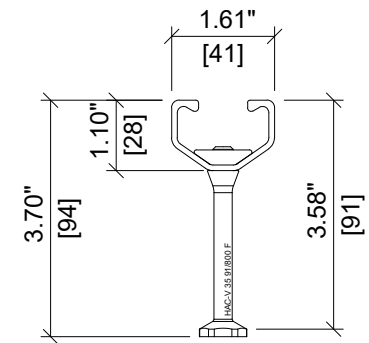


<b>HILTI</b>	
ITEM NUMBER: <b>TBD</b>	CHANNEL LIP: <b>SMOOTH</b> 
ITEM DESCRIPTION: <b>HAC-V 35 91/550 F</b>	

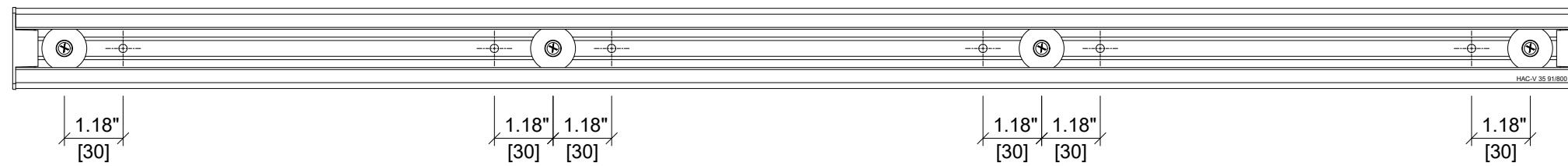




**ELEVATION VIEW**



**SECTION A-A'**



**PLAN VIEW**



<b>HILTI</b>	
ITEM NUMBER: <b>TBD</b>	CHANNEL LIP: <b>SMOOTH</b>
ITEM DESCRIPTION: <b>HAC-V 35 91/800 F</b>	