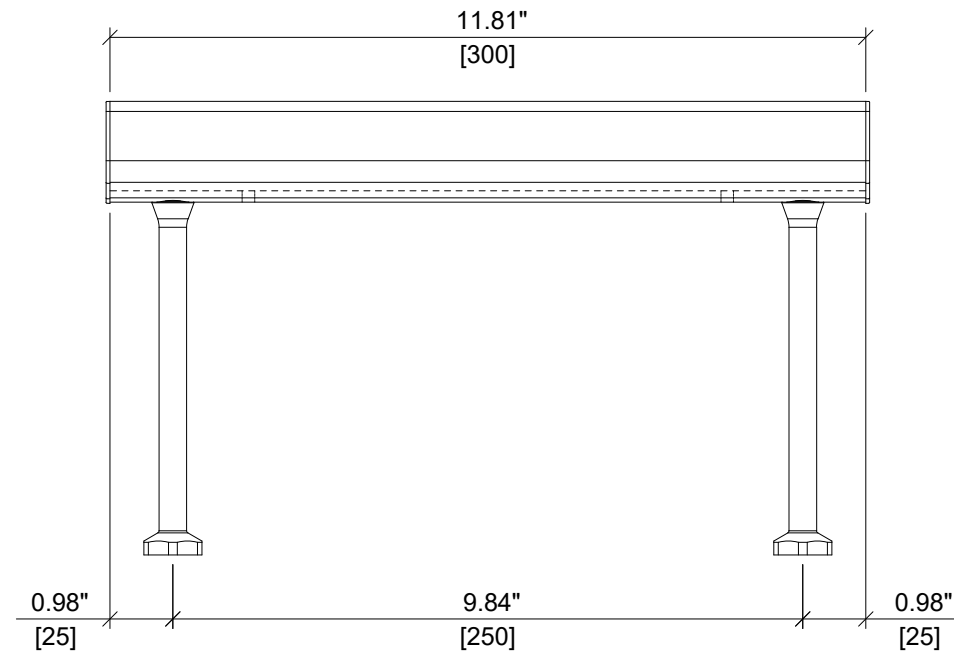
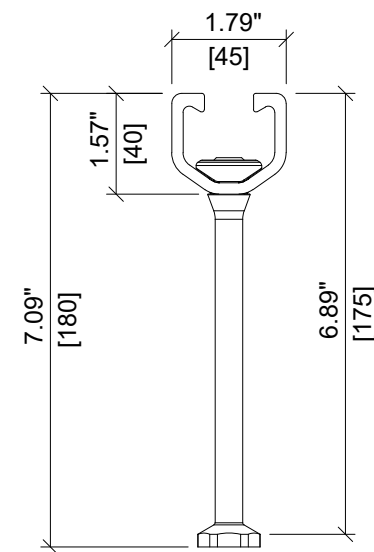


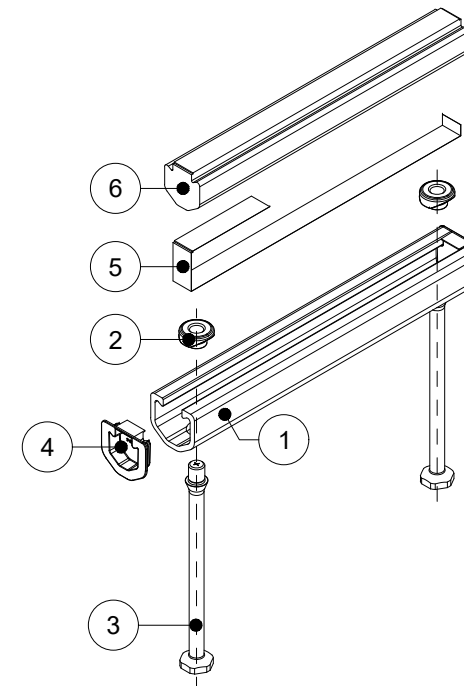
ITEM	DESCRIPTION	QUANTITY
1	CHANNEL PROFILE	1
2	RIVET CONNECTION	2
3	ROUNDED HEADED ANCHOR	2
4	END CAP	2
5	TEAR OUT BAND	1
6	FILLER FOAM	1



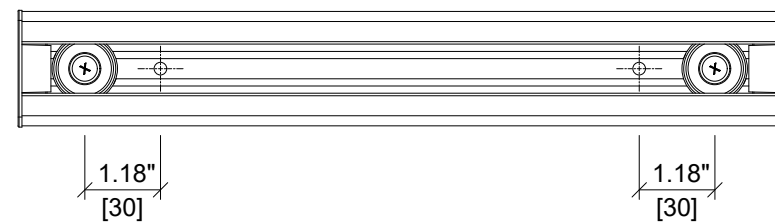
ELEVATION VIEW



SECTION A-A'



ISOMETRIC VIEW



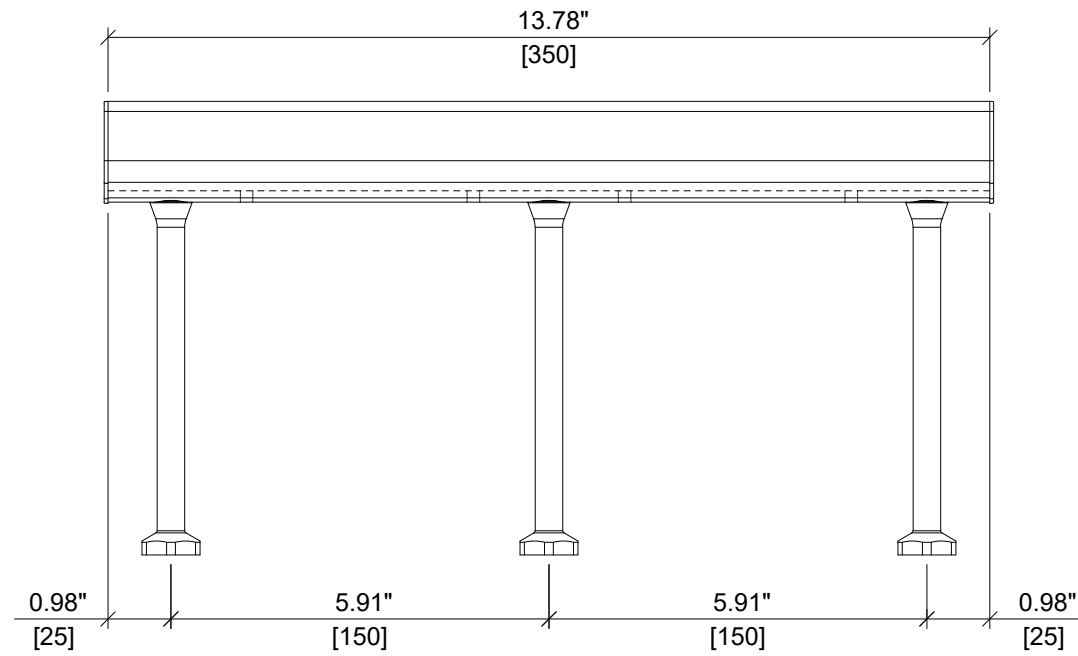
PLAN VIEW

HILTI

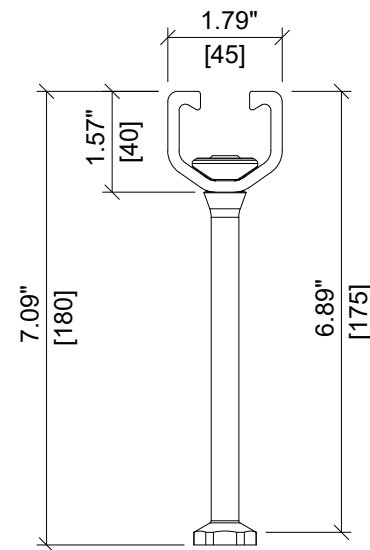
ITEM NUMBER: <div style="font-size: 18px; font-weight: bold;">2331584</div>	CHANNEL LIP: <div style="font-size: 18px; font-weight: bold;">SMOOTH</div>
ITEM DESCRIPTION: <div style="font-size: 18px; font-weight: bold;">HAC-V 70 175/300 F</div>	



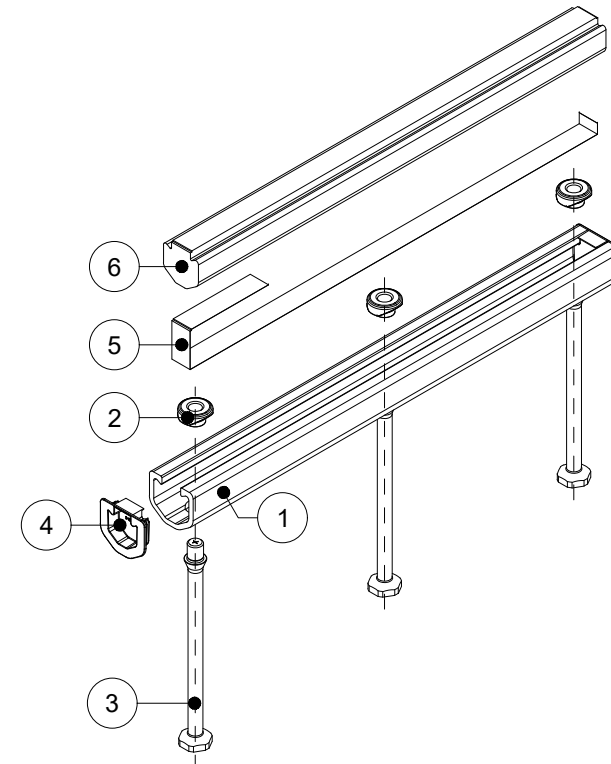
ITEM	DESCRIPTION	QUANTITY
1	CHANNEL PROFILE	1
2	RIVET CONNECTION	2
3	ROUNDED HEADED ANCHOR	2
4	END CAP	2
5	TEAR OUT BAND	1
6	FILLER FOAM	1



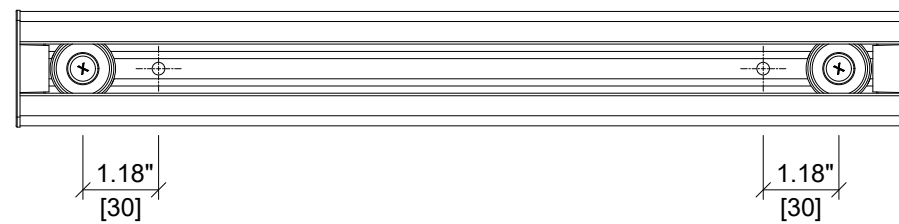
ELEVATION VIEW



SECTION A-A'



ISOMETRIC VIEW




PLAN VIEW



ITEM NUMBER:
2331585

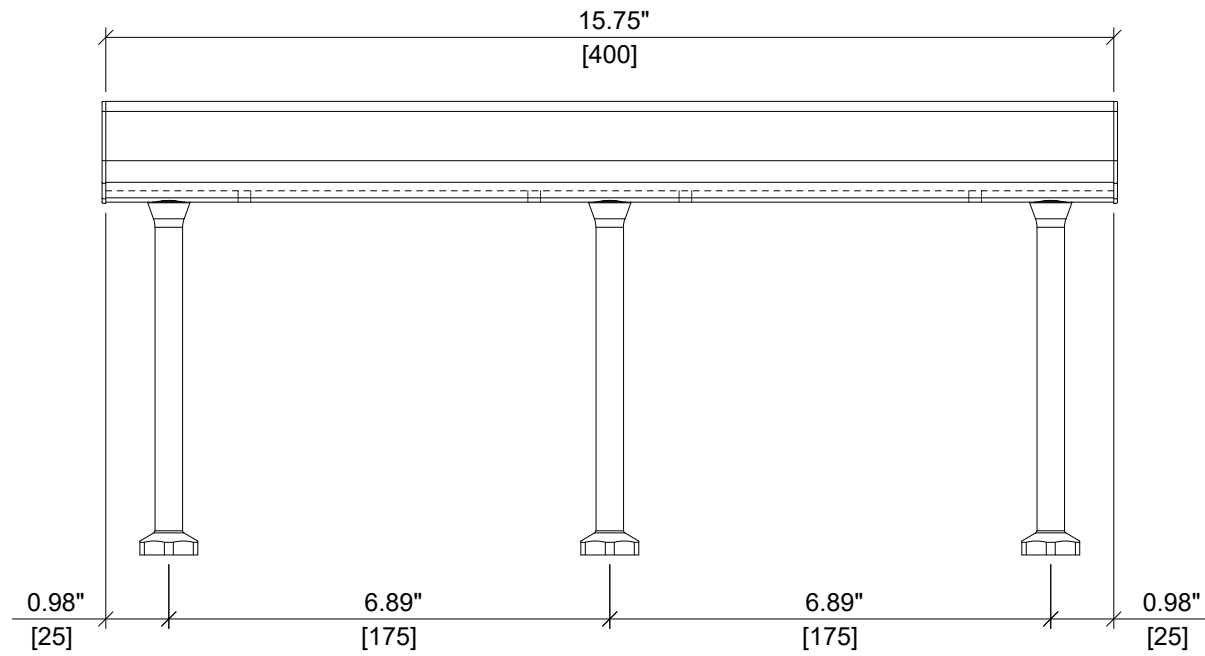
CHANNEL LIP:
SMOOTH



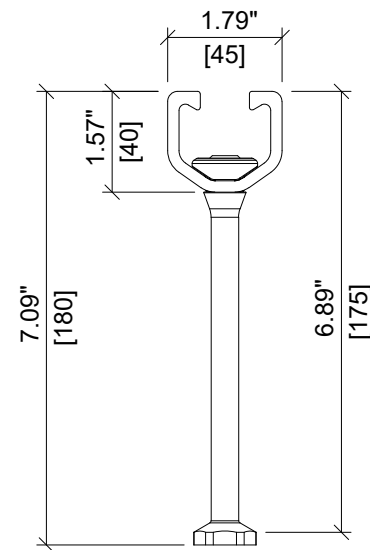
ITEM DESCRIPTION:
HAC-V 70 175/350 F



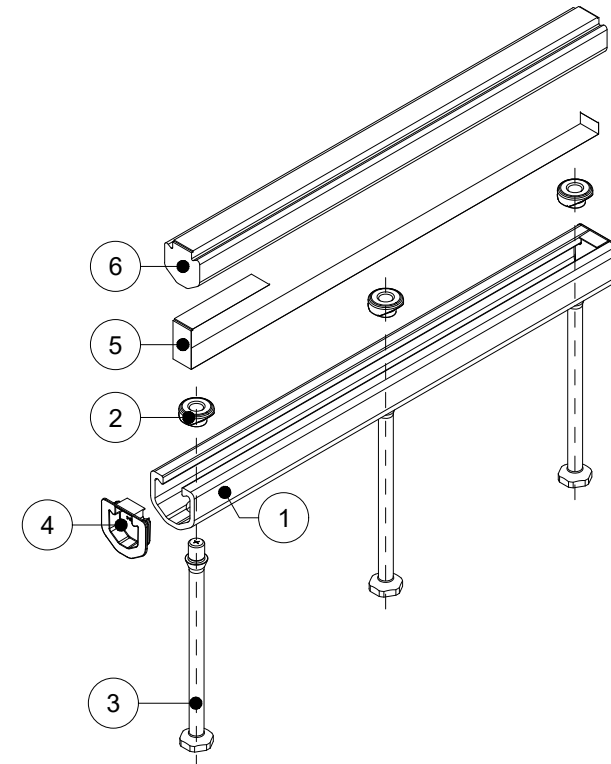
ITEM	DESCRIPTION	QUANTITY
1	CHANNEL PROFILE	1
2	RIVET CONNECTION	3
3	ROUNDED HEADED ANCHOR	3
4	END CAP	2
5	TEAR OUT BAND	1
6	FILLER FOAM	1



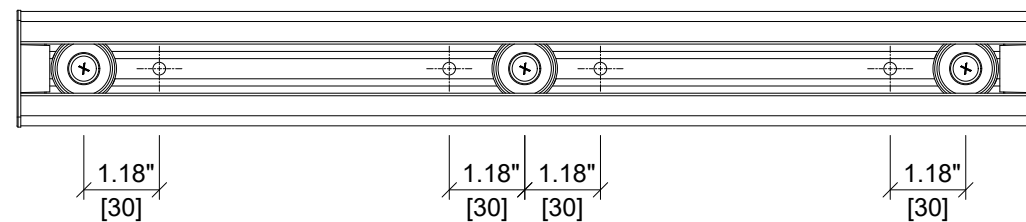
ELEVATION VIEW



SECTION A-A'



ISOMETRIC VIEW



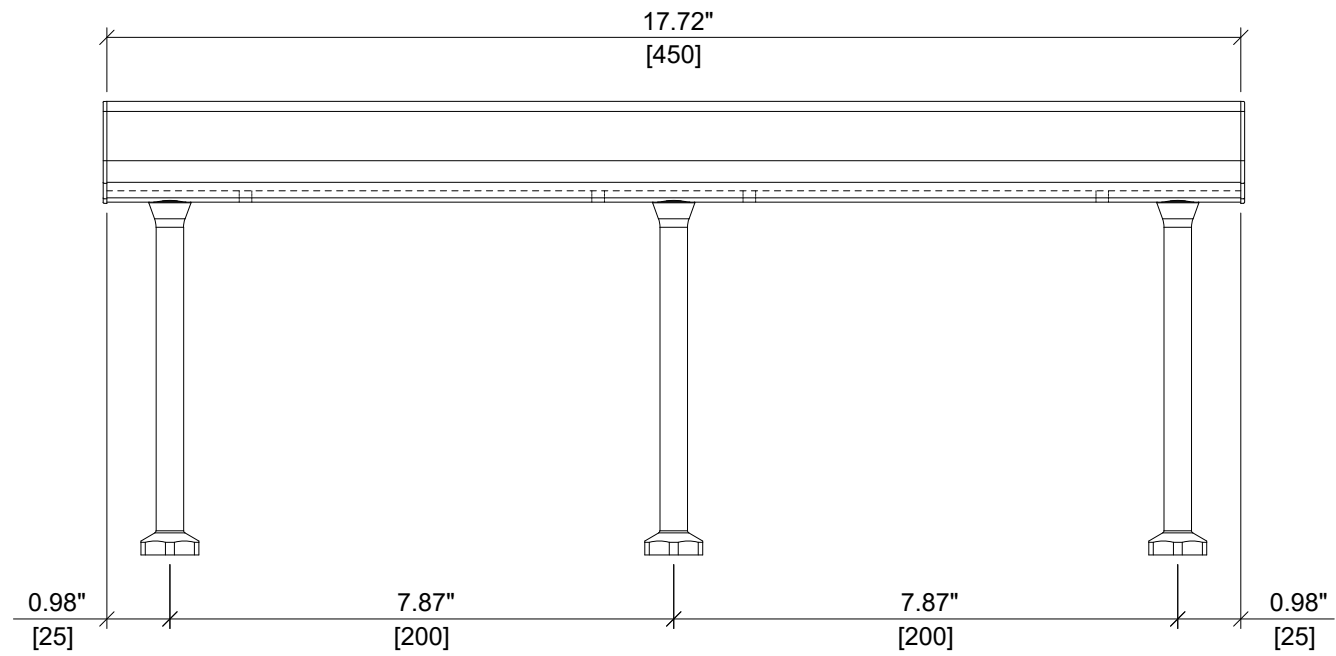
PLAN VIEW

HILTI

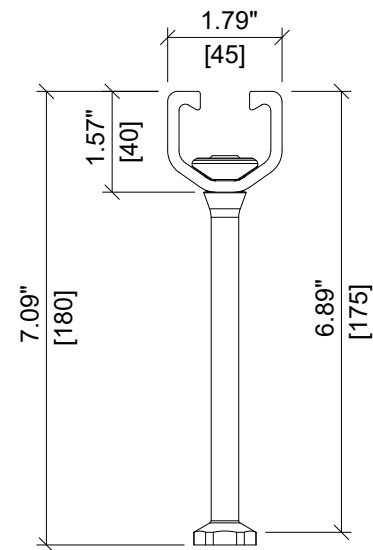
ITEM NUMBER: <div style="font-size: 18px; font-weight: bold;">2331586</div>	CHANNEL LIP: <div style="font-size: 18px; font-weight: bold;">SMOOTH</div>
ITEM DESCRIPTION: <div style="font-size: 18px; font-weight: bold;">HAC-V 70 175/400 F</div>	



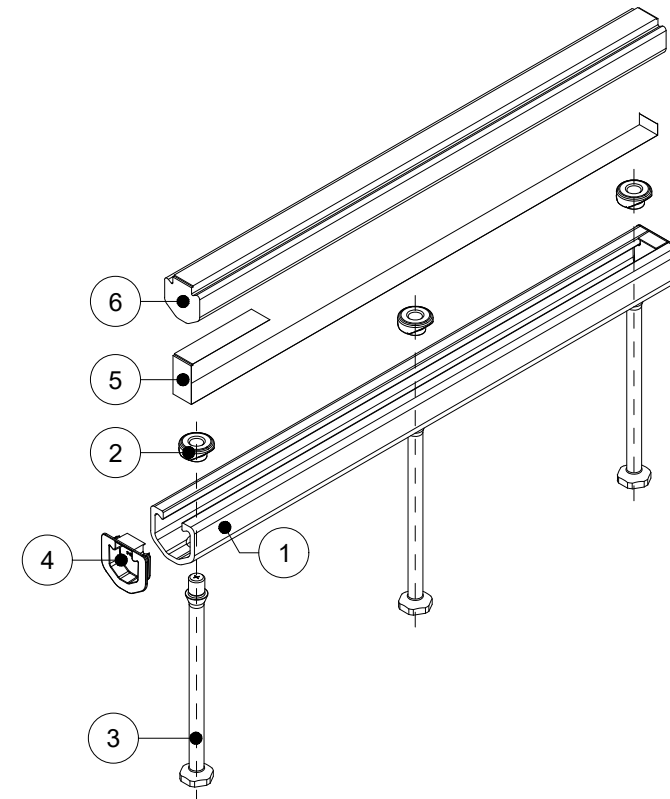
ITEM	DESCRIPTION	QUANTITY
1	CHANNEL PROFILE	1
2	RIVET CONNECTION	3
3	ROUNDED HEADED ANCHOR	3
4	END CAP	2
5	TEAR OUT BAND	1
6	FILLER FOAM	1



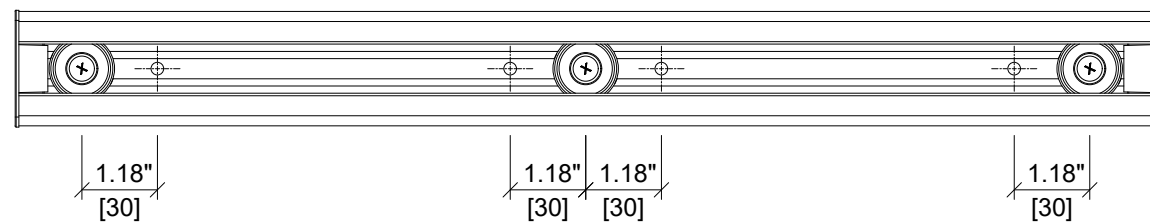
ELEVATION VIEW



SECTION A-A'



ISOMETRIC VIEW



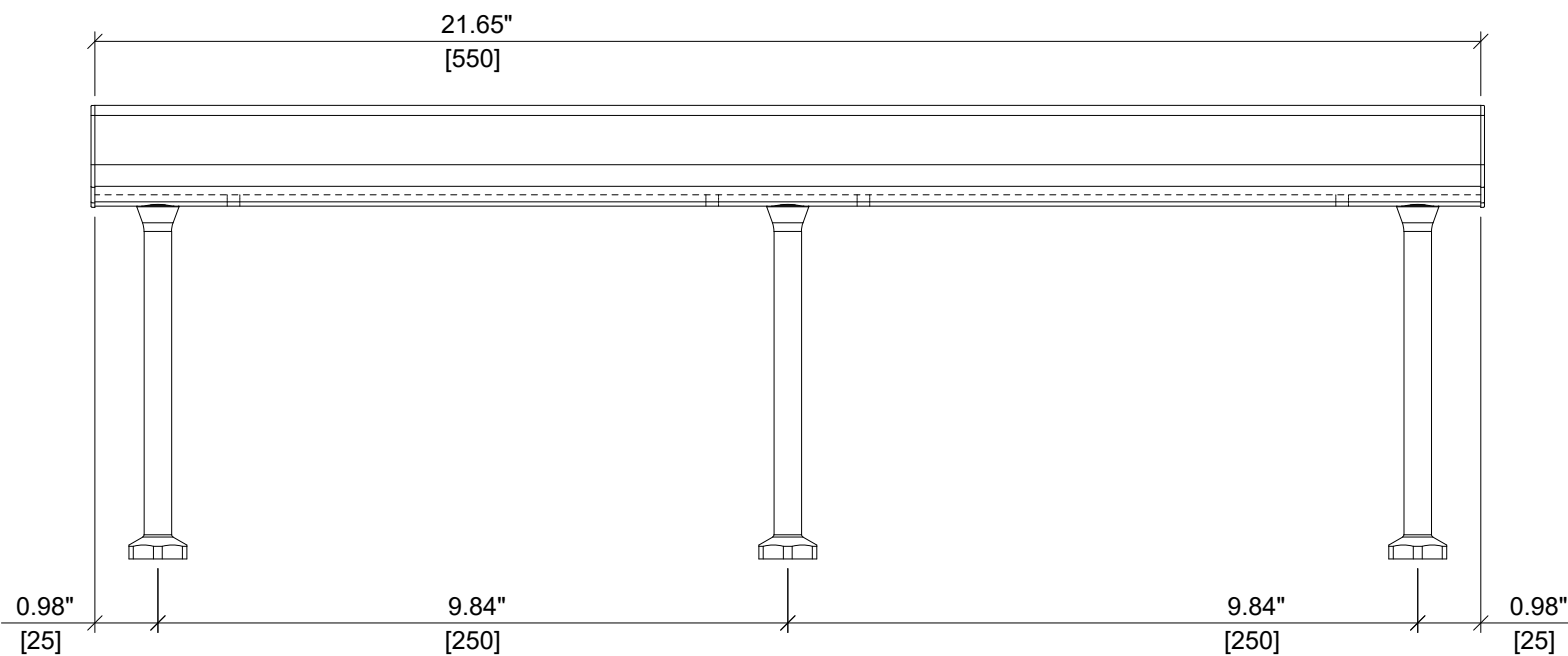
PLAN VIEW

HILTI

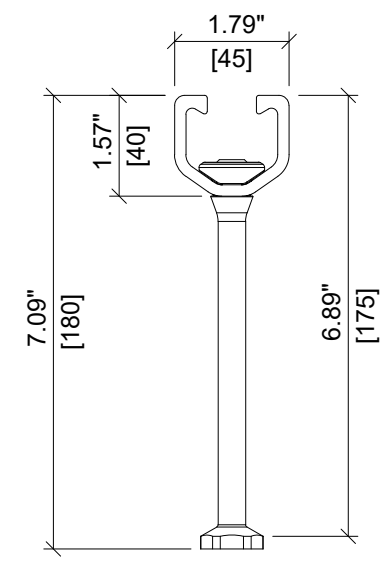
ITEM NUMBER: <div style="font-size: 18px; font-weight: bold;">2331587</div>	CHANNEL LIP: <div style="font-size: 18px; font-weight: bold;">SMOOTH</div>
ITEM DESCRIPTION: <div style="font-size: 18px; font-weight: bold;">HAC-V 70 175/450 F</div>	



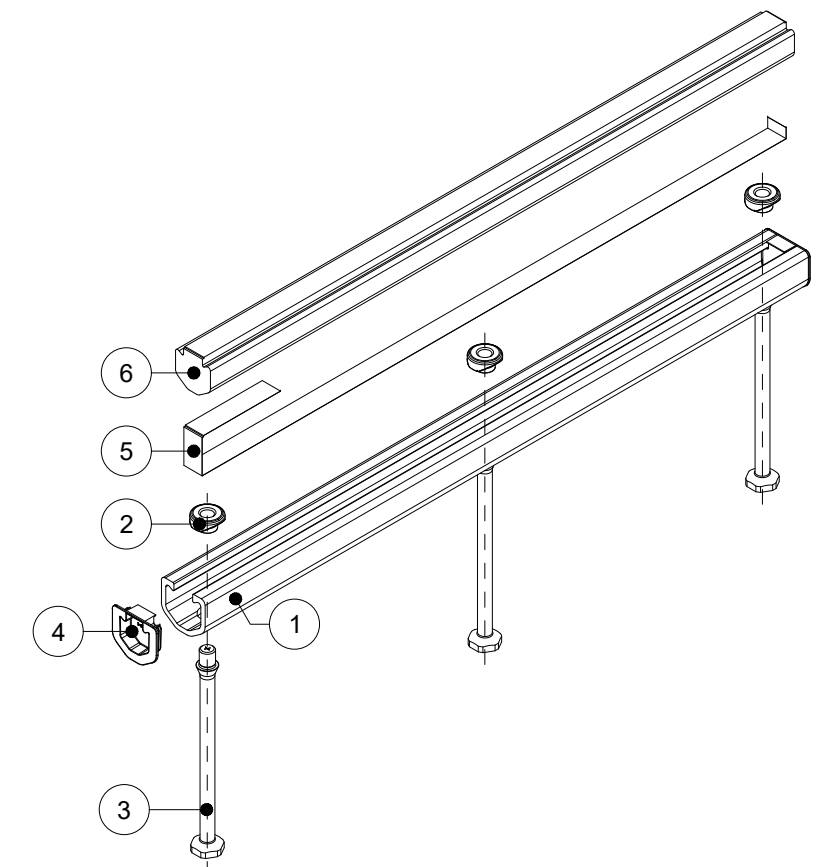
ITEM	DESCRIPTION	QUANTITY
1	CHANNEL PROFILE	1
2	RIVET CONNECTION	3
3	ROUNDED HEADED ANCHOR	3
4	END CAP	2
5	TEAR OUT BAND	1
6	FILLER FOAM	1



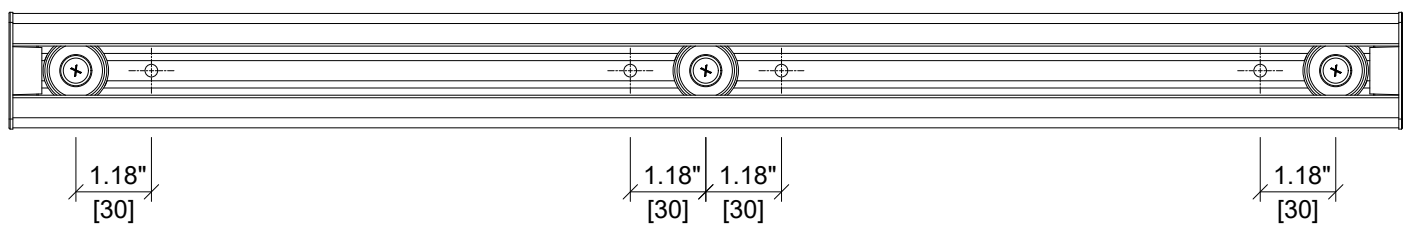
ELEVATION VIEW



SECTION A-A'



ISOMETRIC VIEW



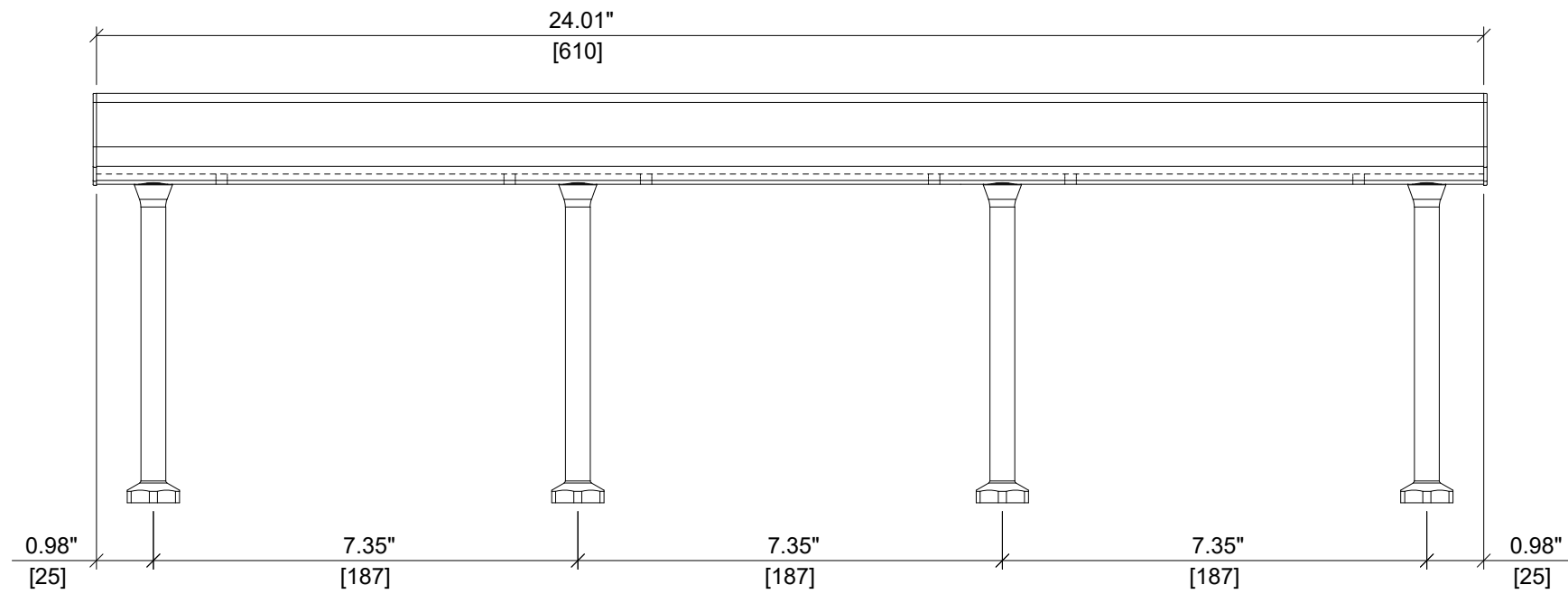
PLAN VIEW

HILTI

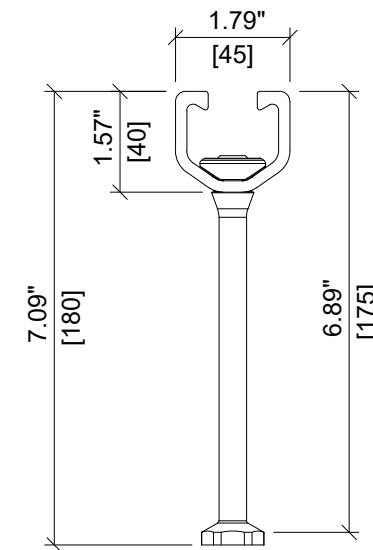
ITEM NUMBER: <div style="font-size: 18px; font-weight: bold; text-align: center;">2331588</div>	CHANNEL LIP: <div style="font-size: 18px; font-weight: bold; text-align: center;">SMOOTH</div> <div style="text-align: right; margin-top: 5px;"> </div>
ITEM DESCRIPTION: <div style="font-size: 18px; font-weight: bold; text-align: center;">HAC-V 70 175/550 F</div>	



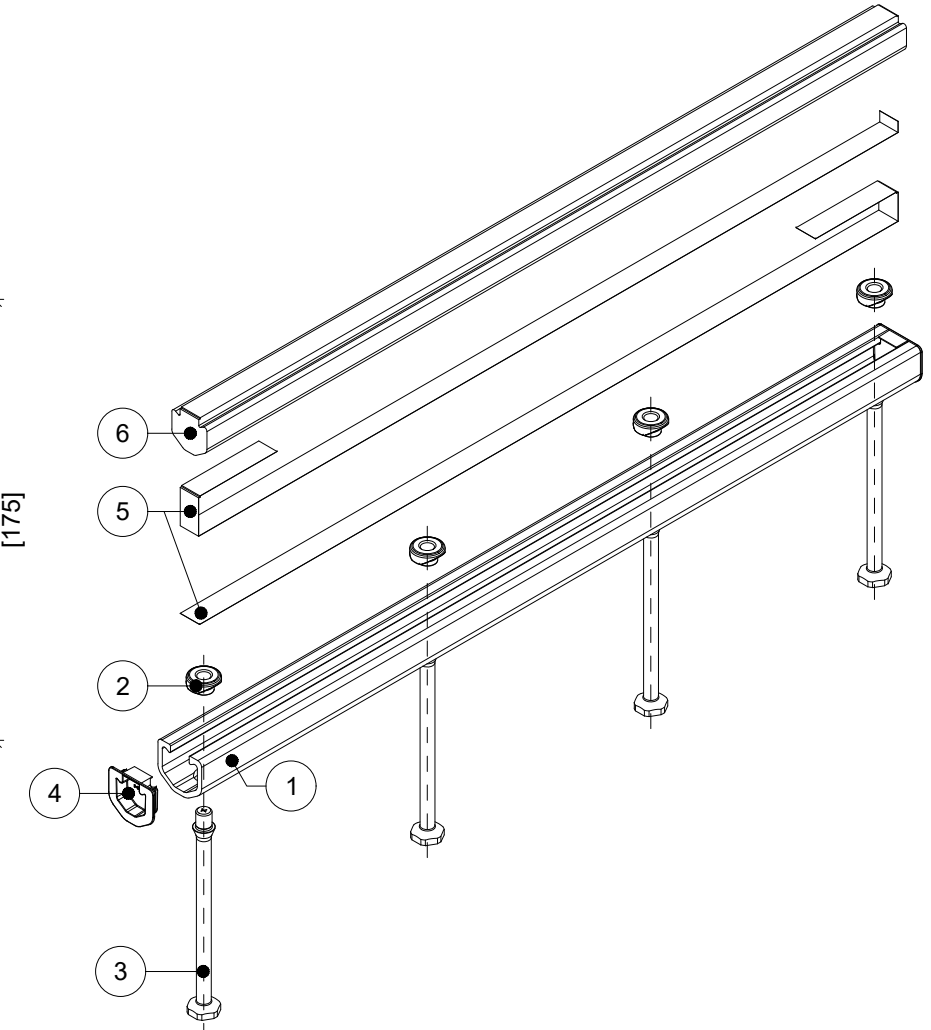
ITEM	DESCRIPTION	QUANTITY
1	CHANNEL PROFILE	1
2	RIVET CONNECTION	4
3	ROUNDED HEADED ANCHOR	4
4	END CAP	2
5	TEAR OUT BAND	2
6	FILLER FOAM	1



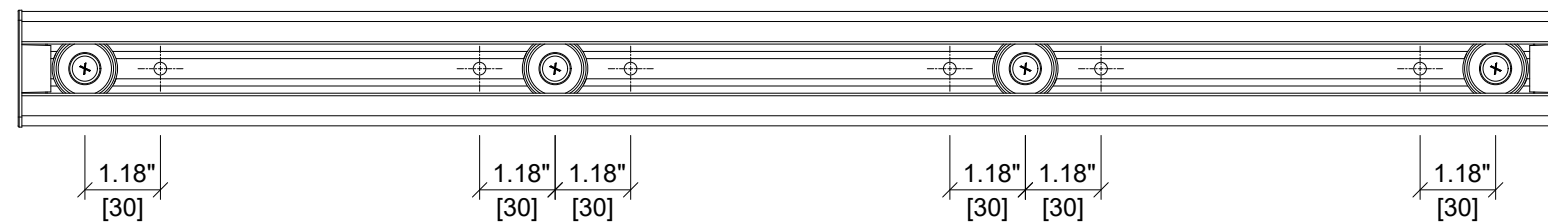
ELEVATION VIEW



SECTION A-A'



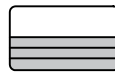
ISOMETRIC VIEW



PLAN VIEW

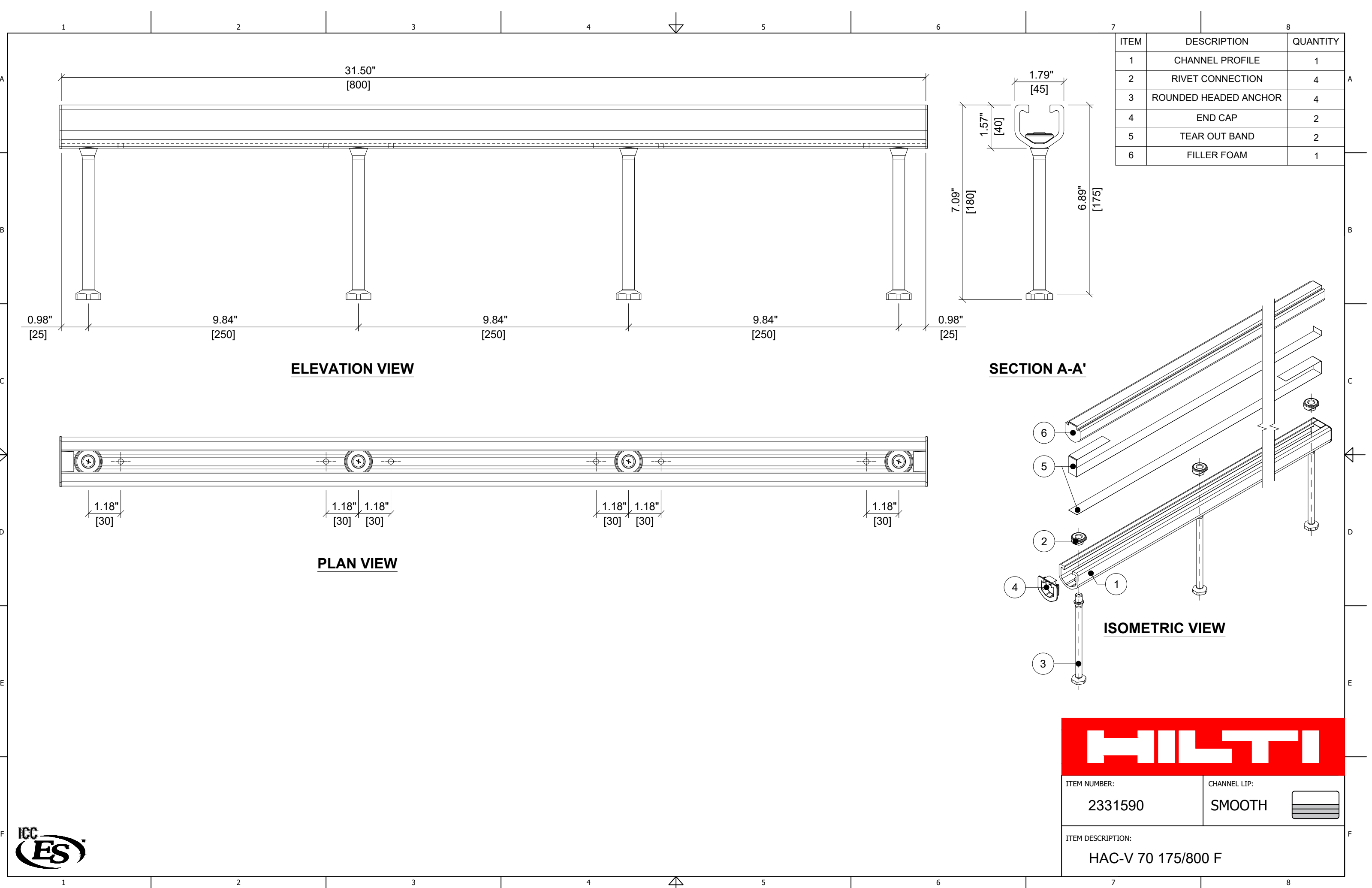
HILTI

ITEM NUMBER: 2331589

CHANNEL LIP: SMOOTH 

ITEM DESCRIPTION: HAC-V 70 175/610 F





ITEM	DESCRIPTION	QUANTITY
1	CHANNEL PROFILE	1
2	RIVET CONNECTION	4
3	ROUNDED HEADED ANCHOR	4
4	END CAP	2
5	TEAR OUT BAND	2
6	FILLER FOAM	1

ELEVATION VIEW

PLAN VIEW

SECTION A-A'

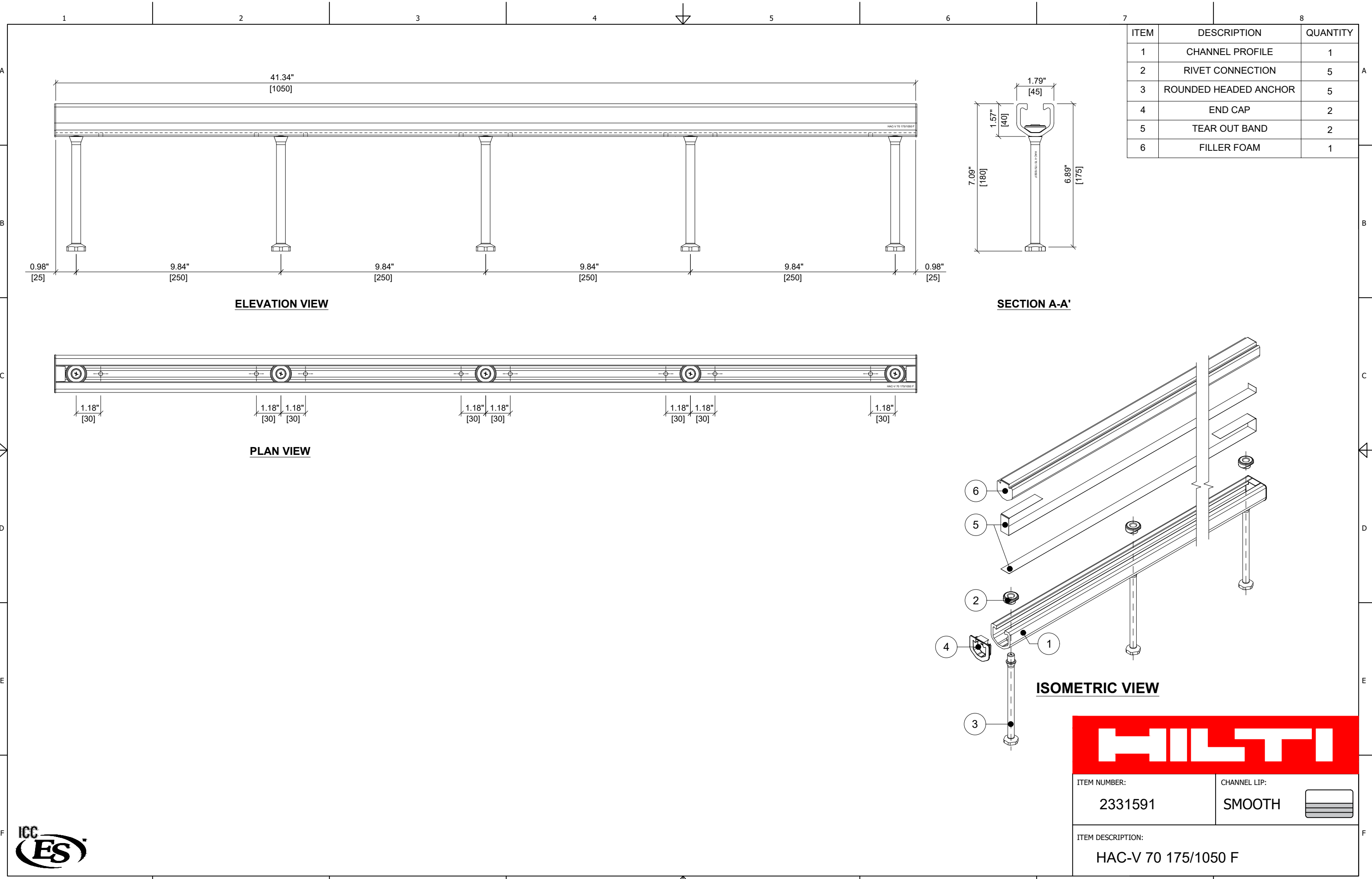
ISOMETRIC VIEW



ITEM NUMBER: 2331590	CHANNEL LIP: SMOOTH
--------------------------------	-------------------------------

ITEM DESCRIPTION:
HAC-V 70 175/800 F





ITEM	DESCRIPTION	QUANTITY
1	CHANNEL PROFILE	1
2	RIVET CONNECTION	5
3	ROUNDED HEADED ANCHOR	5
4	END CAP	2
5	TEAR OUT BAND	2
6	FILLER FOAM	1

ELEVATION VIEW

SECTION A-A'

PLAN VIEW

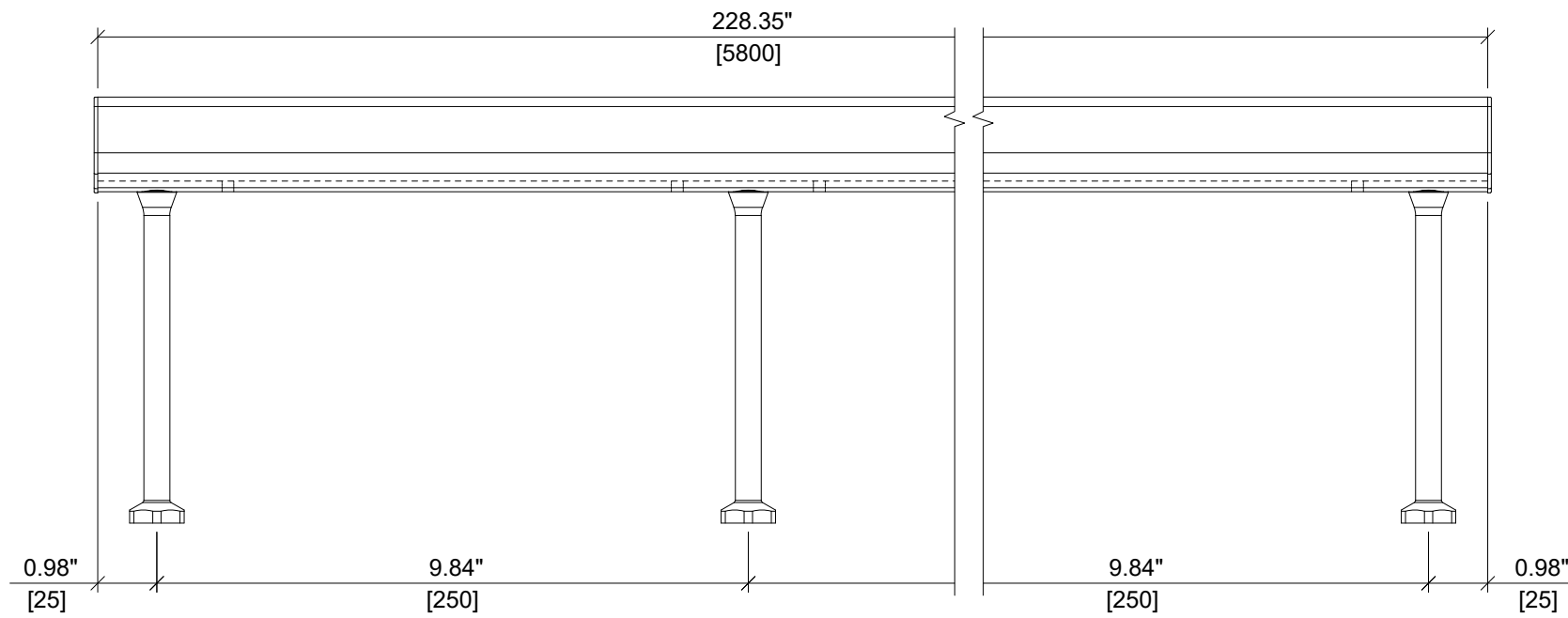
ISOMETRIC VIEW

HILTI

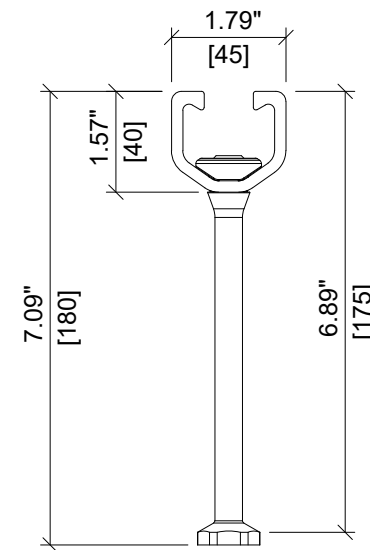
ITEM NUMBER: <div style="font-size: 18px; font-weight: bold; text-align: center;">2331591</div>	CHANNEL LIP: <div style="font-size: 18px; font-weight: bold; text-align: center;">SMOOTH</div> <div style="text-align: right; margin-top: 5px;"> </div>
ITEM DESCRIPTION: <div style="font-size: 18px; font-weight: bold; text-align: center;">HAC-V 70 175/1050 F</div>	



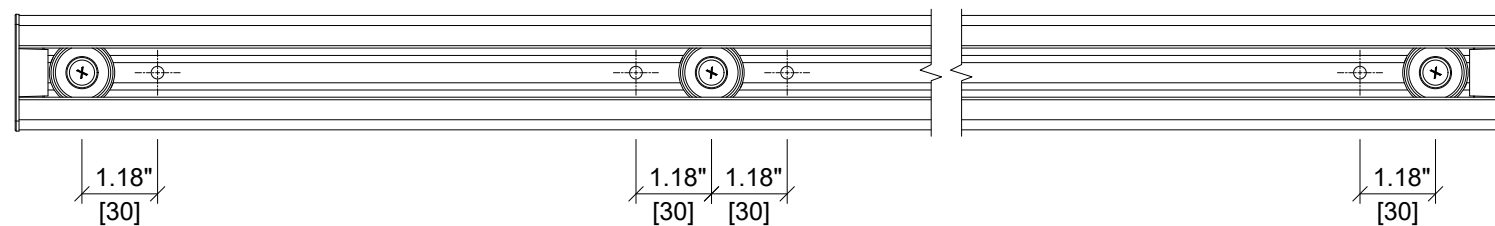
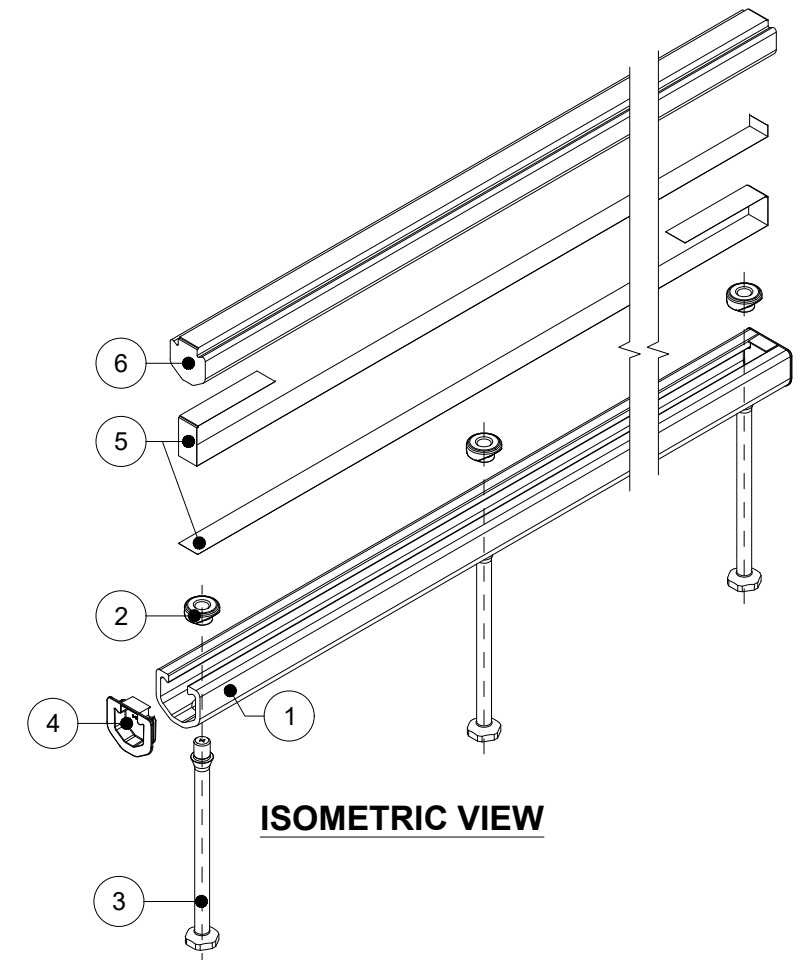
ITEM	DESCRIPTION	QUANTITY
1	CHANNEL PROFILE	1
2	RIVET CONNECTION	24
3	ROUNDED HEADED ANCHOR	24
4	END CAP	2
5	TEAR OUT BAND	2
6	FILLER FOAM	1



ELEVATION VIEW



SECTION A-A'



PLAN VIEW

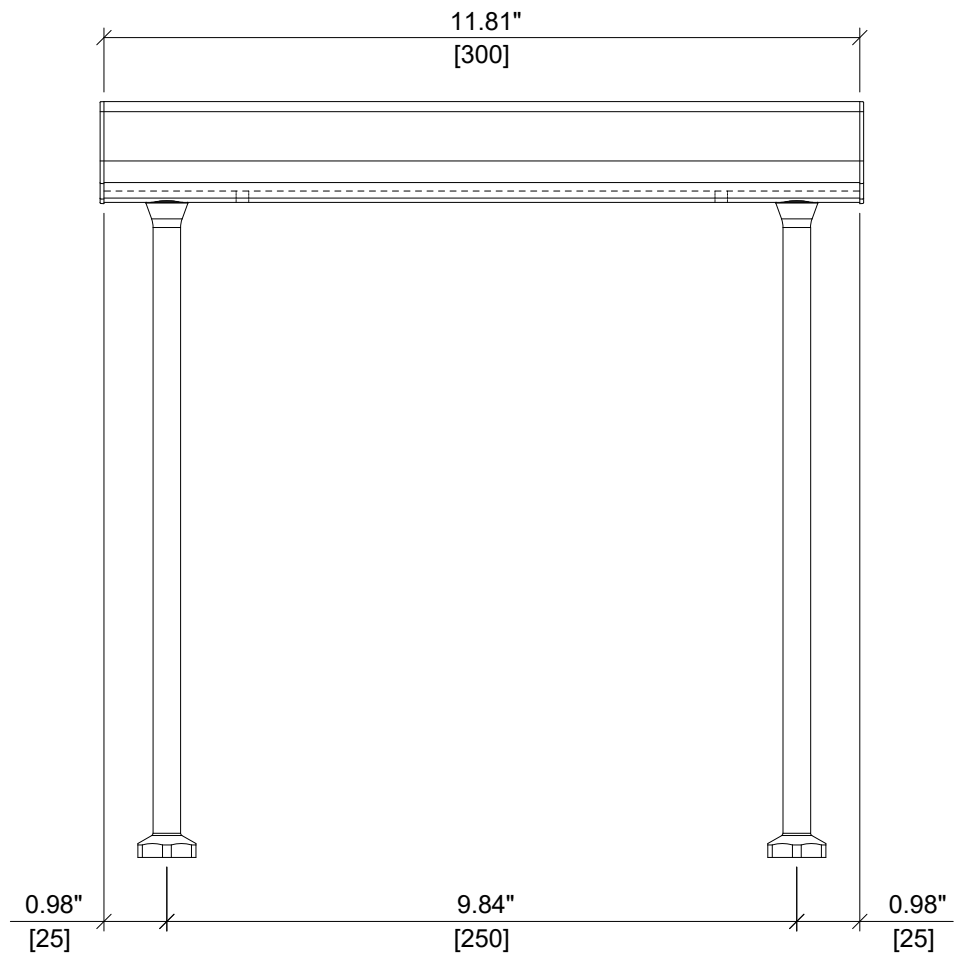
HILTI

ITEM NUMBER: 2331592

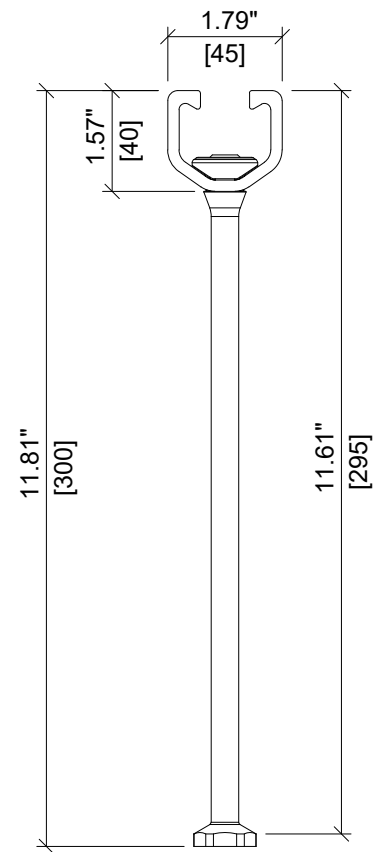
CHANNEL LIP: SMOOTH

ITEM DESCRIPTION: HAC-V 70 175/5800 F

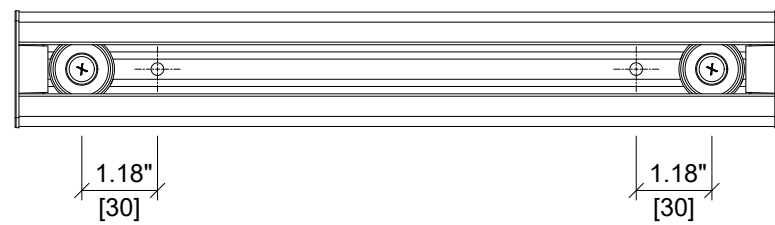




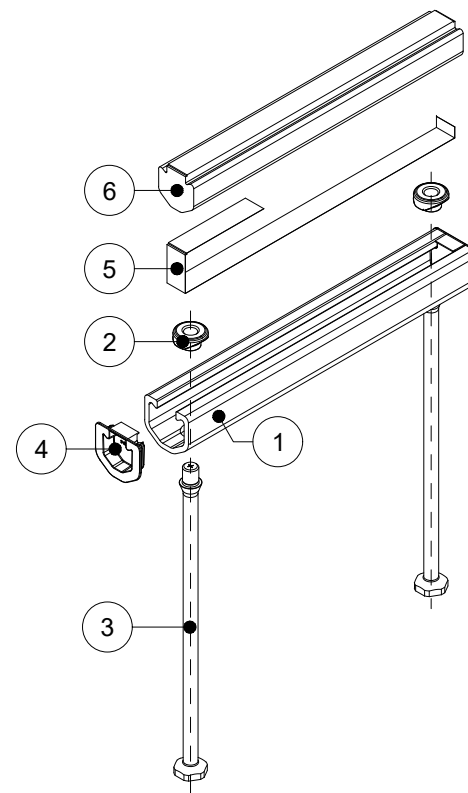
ELEVATION VIEW



SECTION A-A'



PLAN VIEW



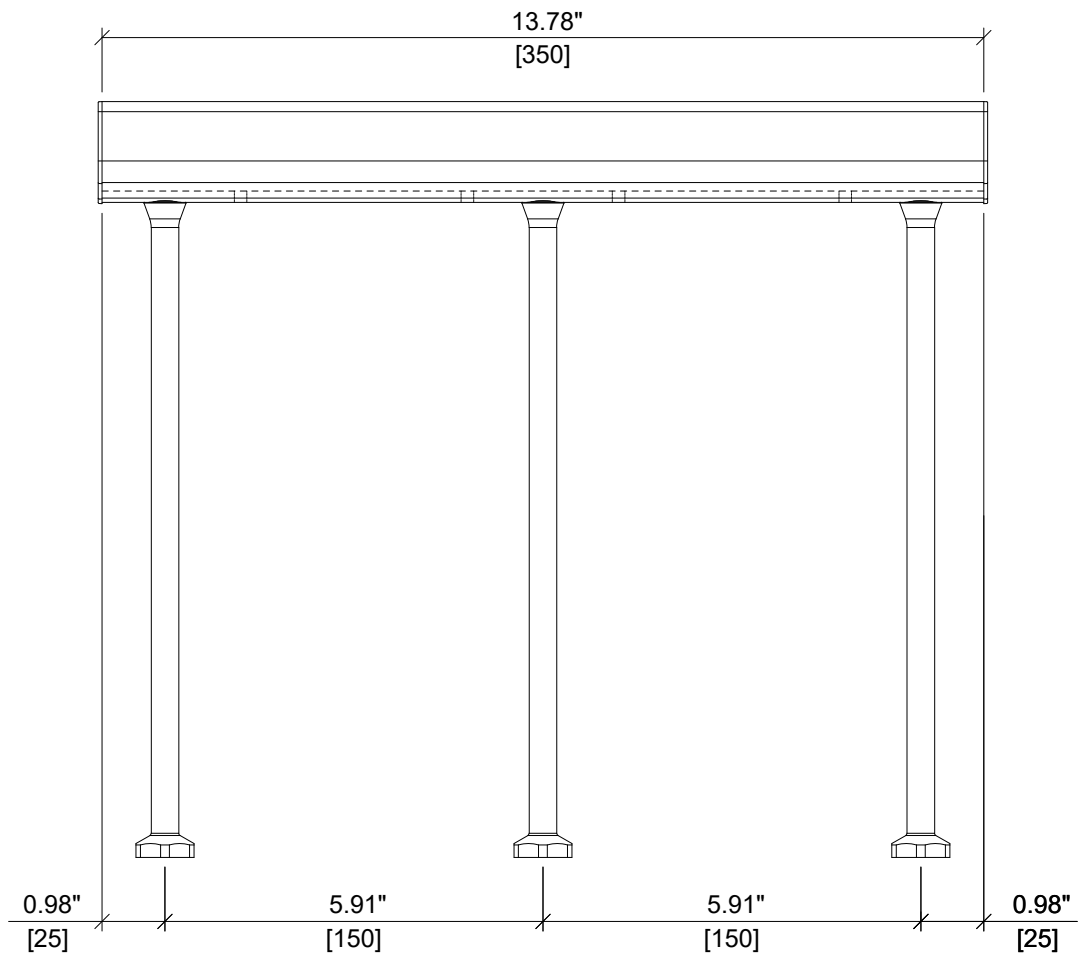
ISOMETRIC VIEW

ITEM	DESCRIPTION	QUANTITY
1	CHANNEL PROFILE	1
2	RIVET CONNECTION	2
3	ROUNDED HEADED ANCHOR	2
4	END CAP	2
5	TEAR OUT BAND	1
6	FILLER FOAM	1

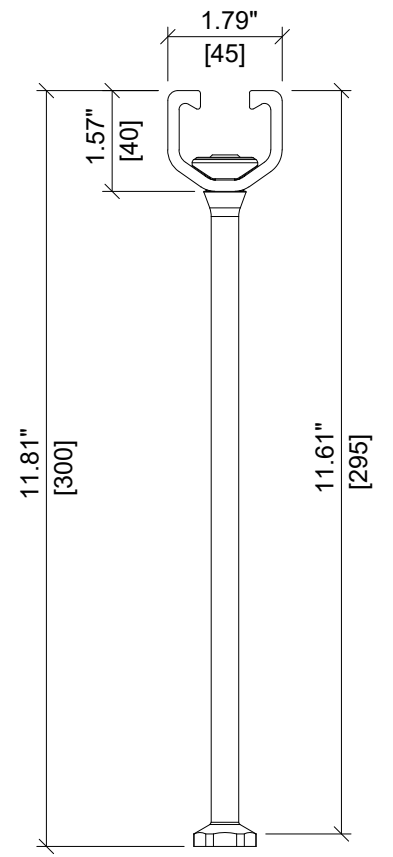


ITEM NUMBER: 2331593	CHANNEL LIP: SMOOTH
ITEM DESCRIPTION: HAC-V 70 295/300 F	

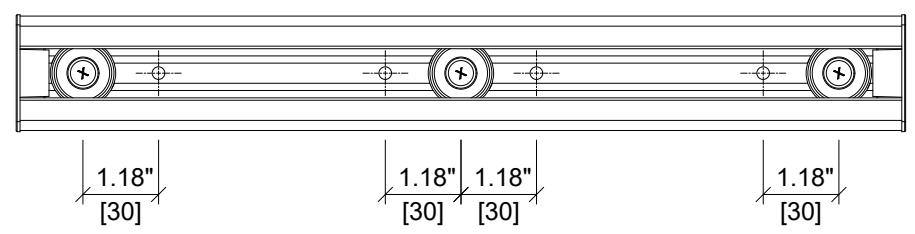




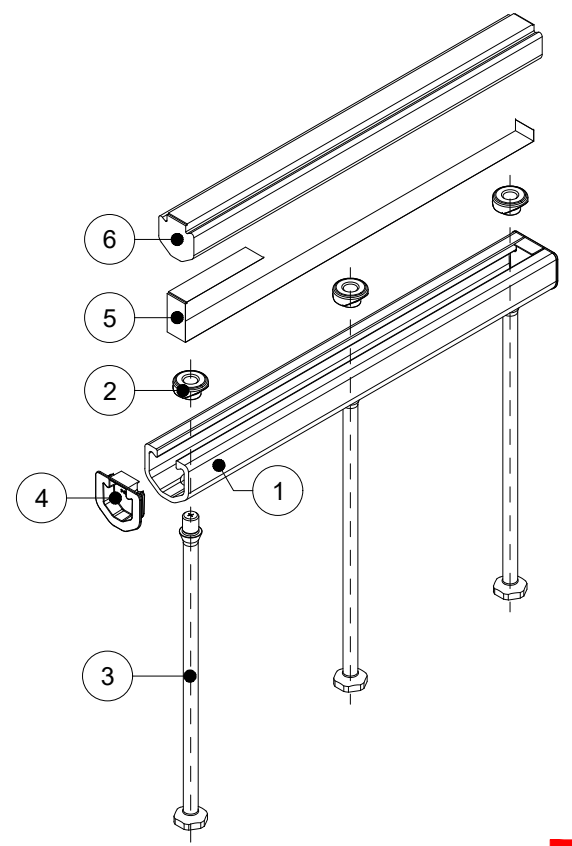
ELEVATION VIEW



SECTION A-A'

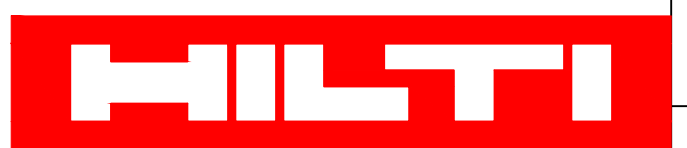


PLAN VIEW



ISOMETRIC VIEW

ITEM	DESCRIPTION	QUANTITY
1	CHANNEL PROFILE	1
2	RIVET CONNECTION	3
3	ROUNDED HEADED ANCHOR	3
4	END CAP	2
5	TEAR OUT BAND	1
6	FILLER FOAM	1

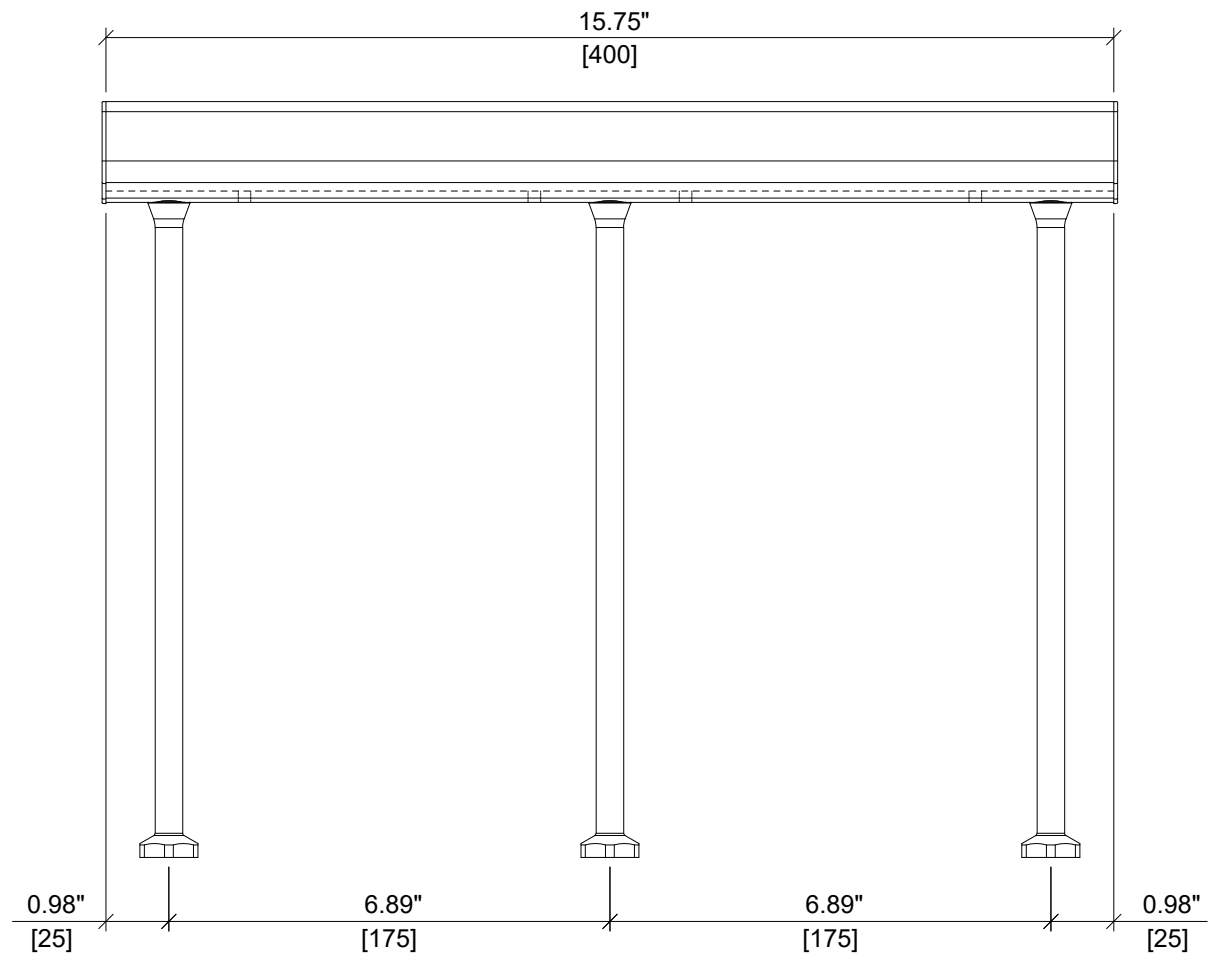


ITEM NUMBER: 2331594	CHANNEL LIP: SMOOTH
--------------------------------	-------------------------------

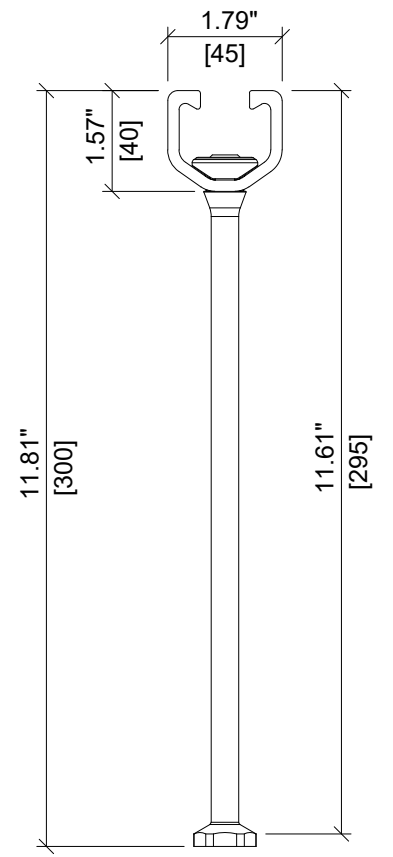
ITEM DESCRIPTION:
HAC-V 70 295/350 F



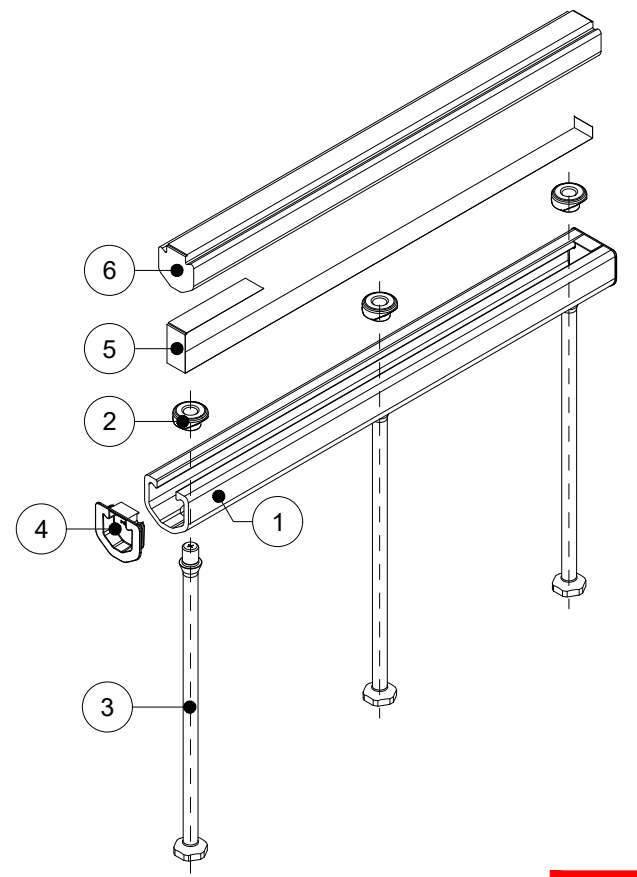
ITEM	DESCRIPTION	QUANTITY
1	CHANNEL PROFILE	1
2	RIVET CONNECTION	3
3	ROUNDED HEADED ANCHOR	3
4	END CAP	2
5	TEAR OUT BAND	1
6	FILLER FOAM	1



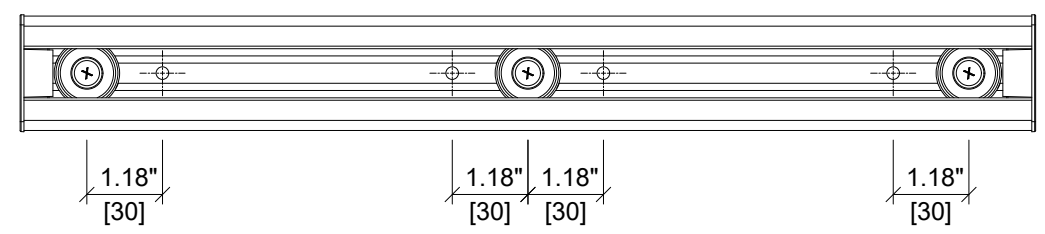
ELEVATION VIEW



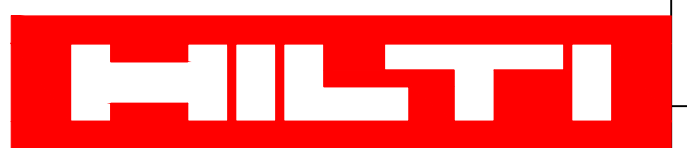
SECTION A-A'



ISOMETRIC VIEW



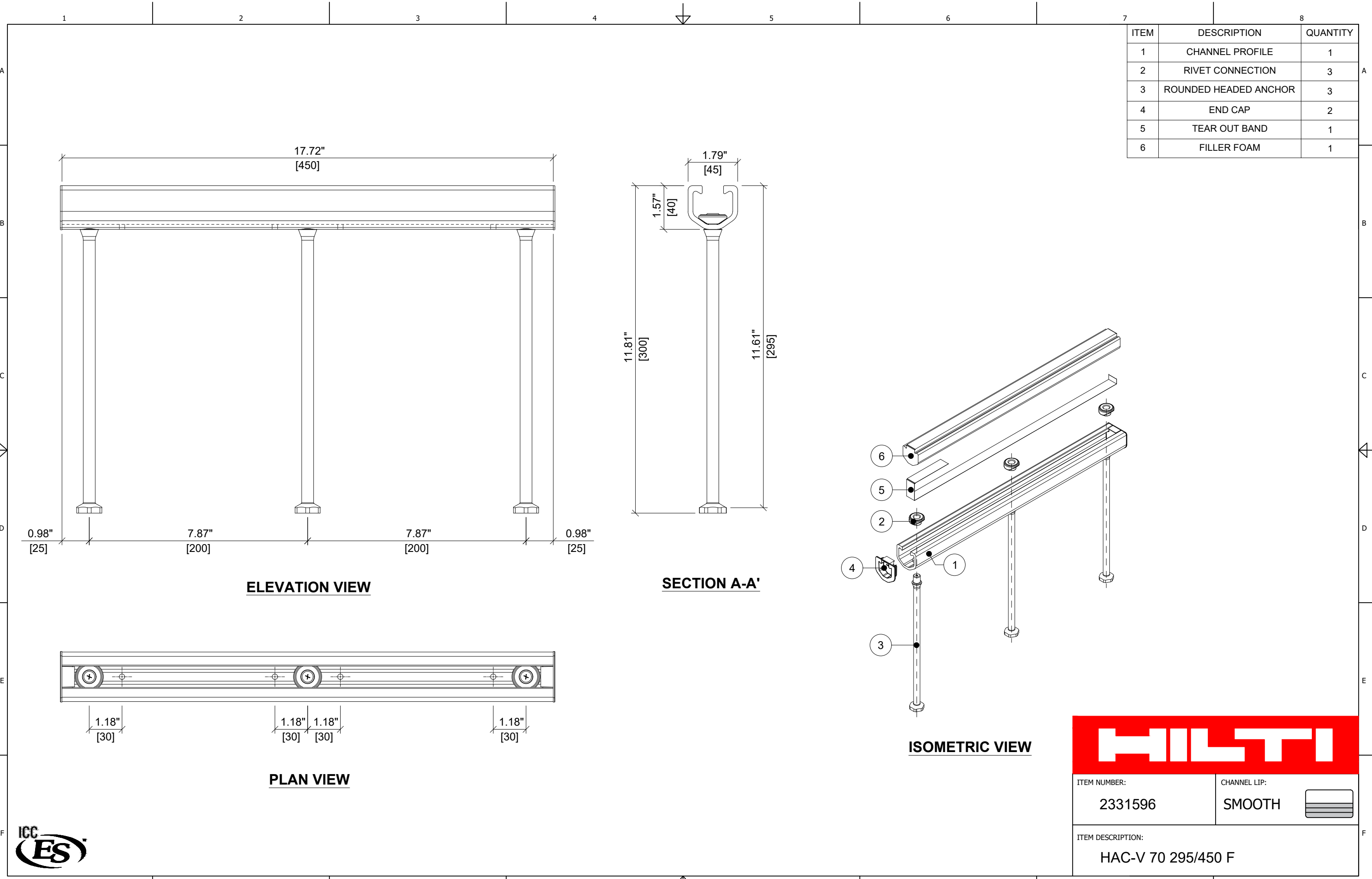
PLAN VIEW



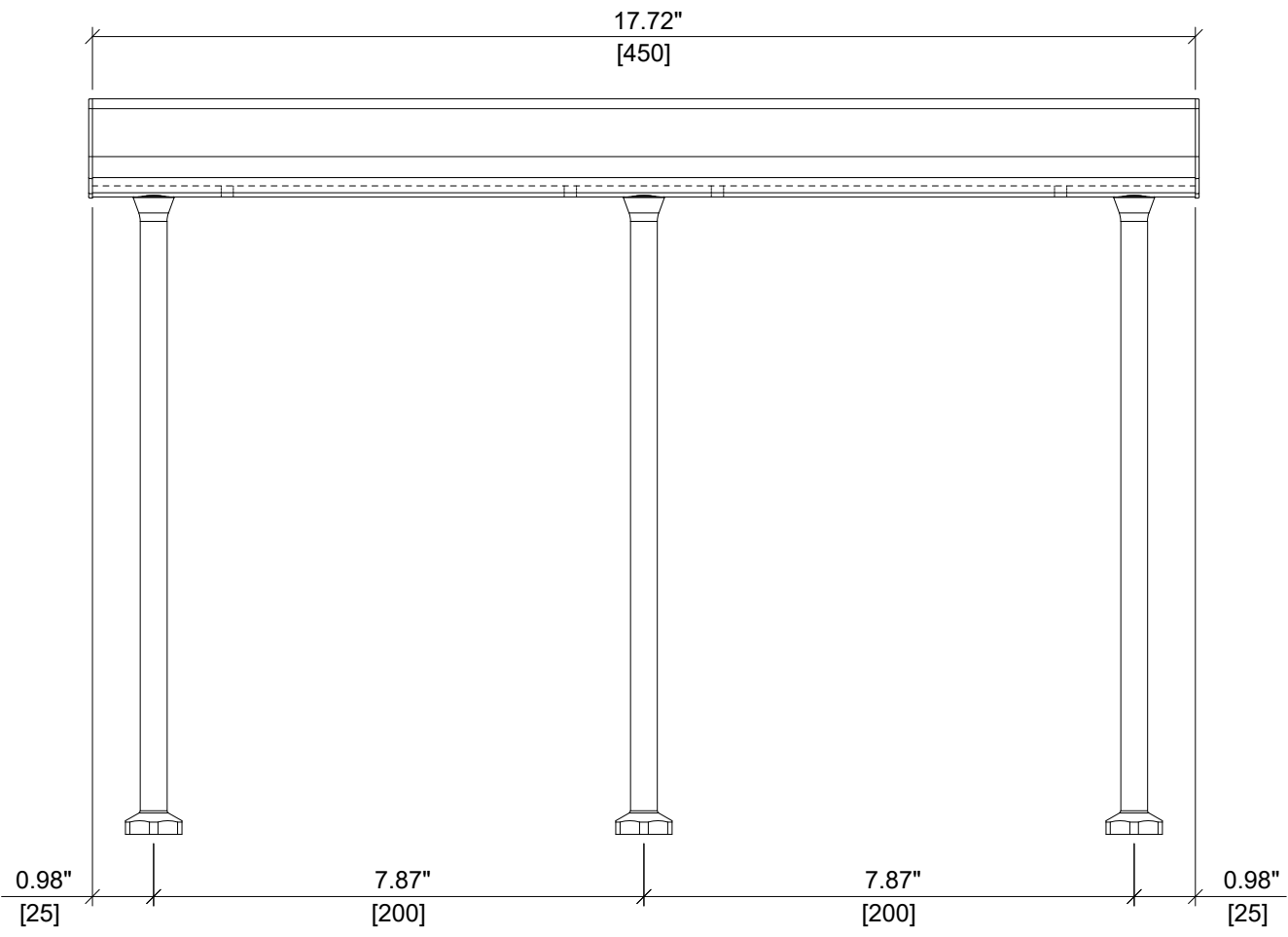
ITEM NUMBER: 2331595	CHANNEL LIP: SMOOTH
--------------------------------	-------------------------------

ITEM DESCRIPTION:
HAC-V 70 295/400 F

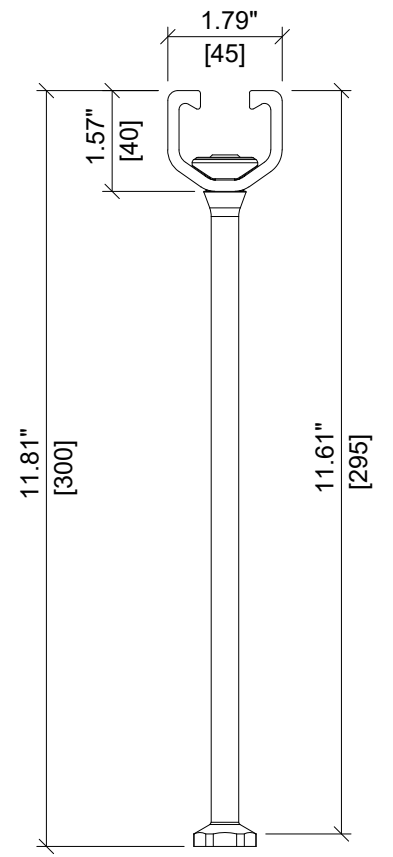




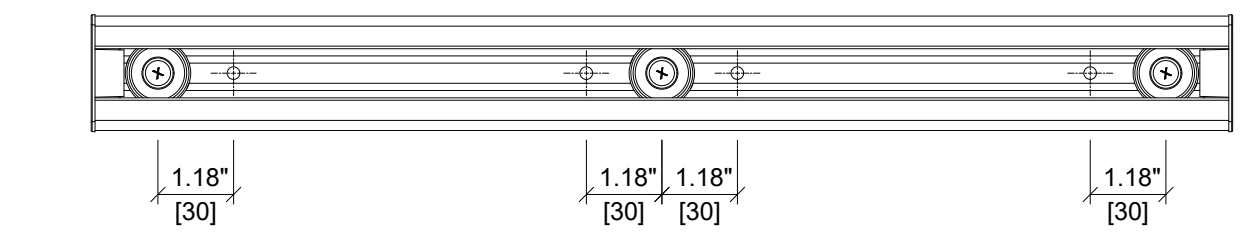
ITEM	DESCRIPTION	QUANTITY
1	CHANNEL PROFILE	1
2	RIVET CONNECTION	3
3	ROUNDED HEADED ANCHOR	3
4	END CAP	2
5	TEAR OUT BAND	1
6	FILLER FOAM	1



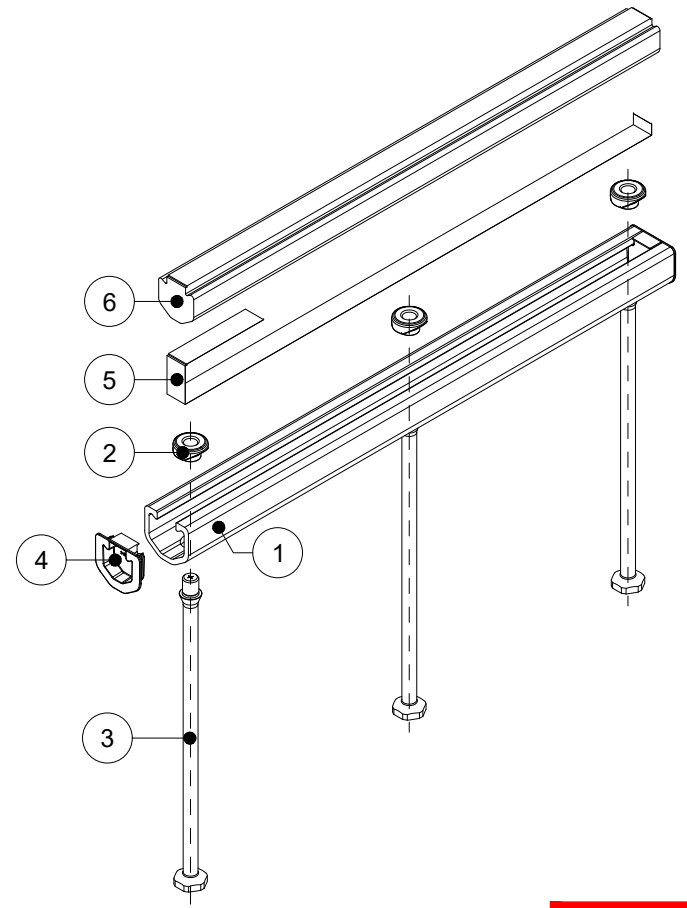
ELEVATION VIEW



SECTION A-A'



PLAN VIEW



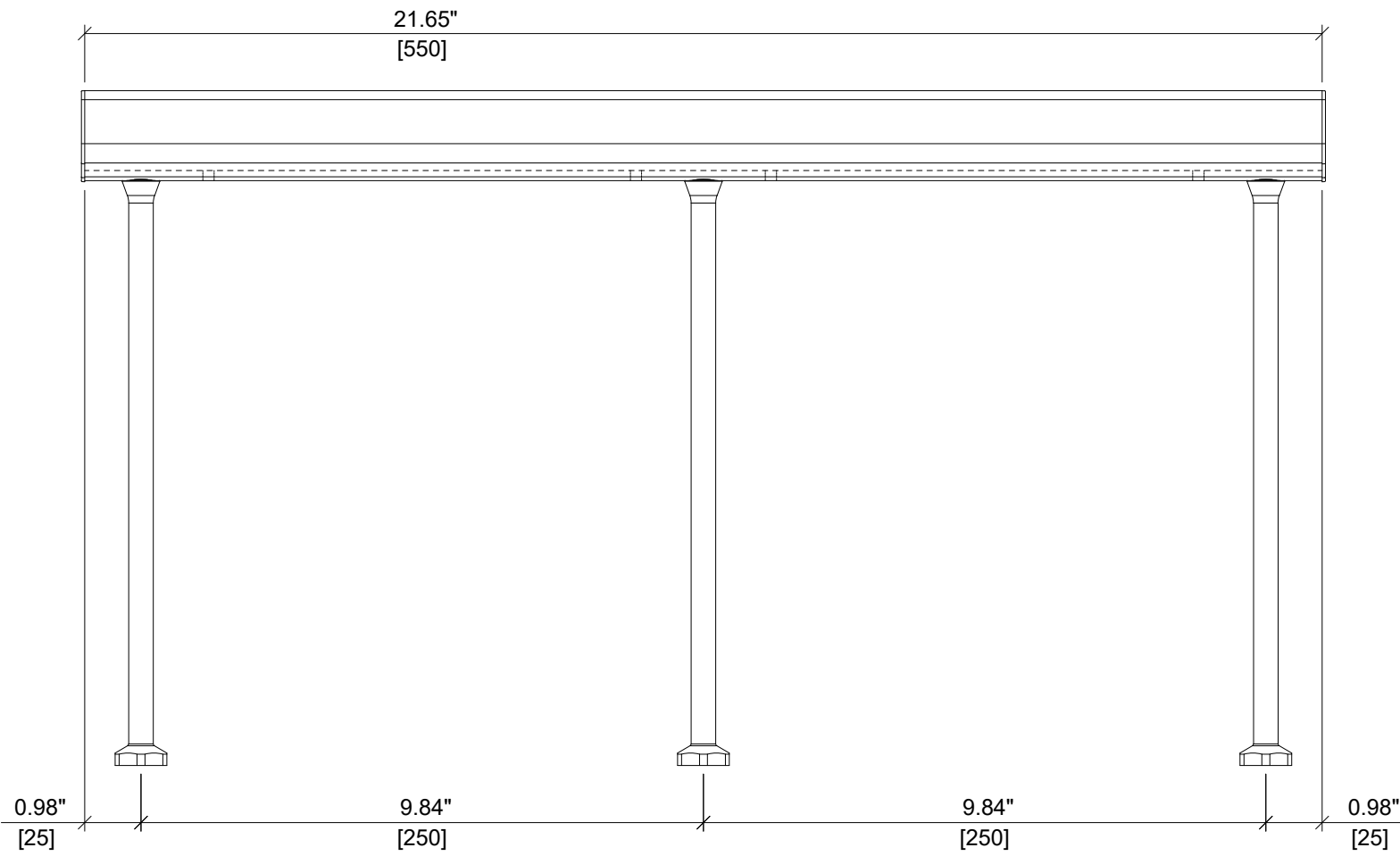
ISOMETRIC VIEW



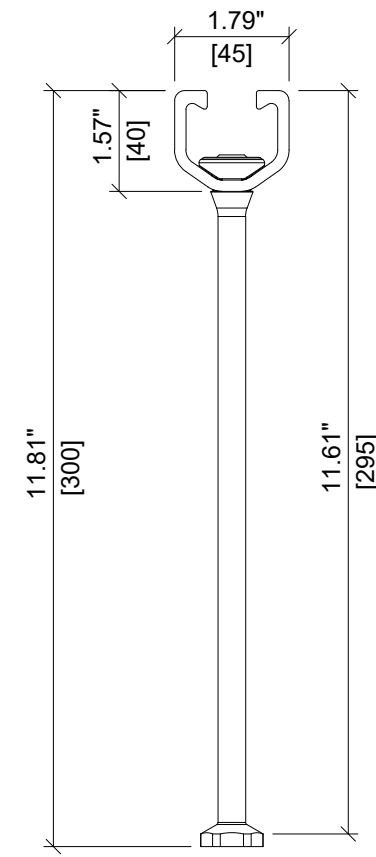
ITEM NUMBER: 2331596	CHANNEL LIP: SMOOTH
--------------------------------	-------------------------------

ITEM DESCRIPTION:
HAC-V 70 295/450 F

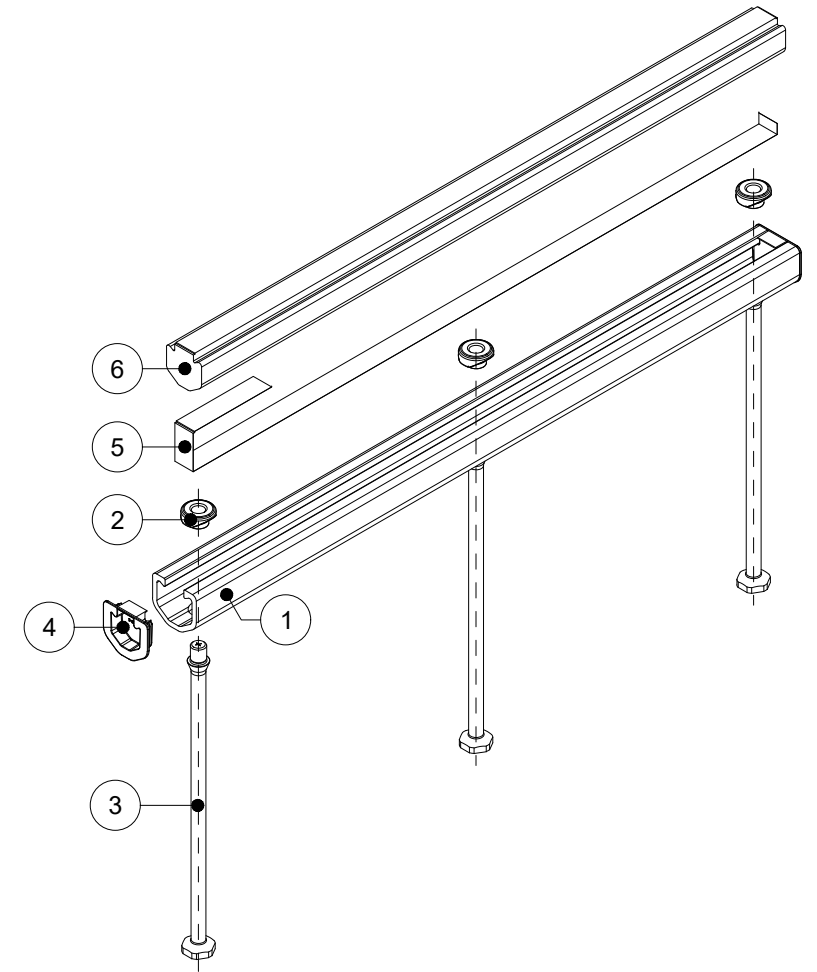
ITEM	DESCRIPTION	QUANTITY
1	CHANNEL PROFILE	1
2	RIVET CONNECTION	3
3	ROUNDED HEADED ANCHOR	3
4	END CAP	2
5	TEAR OUT BAND	1
6	FILLER FOAM	1



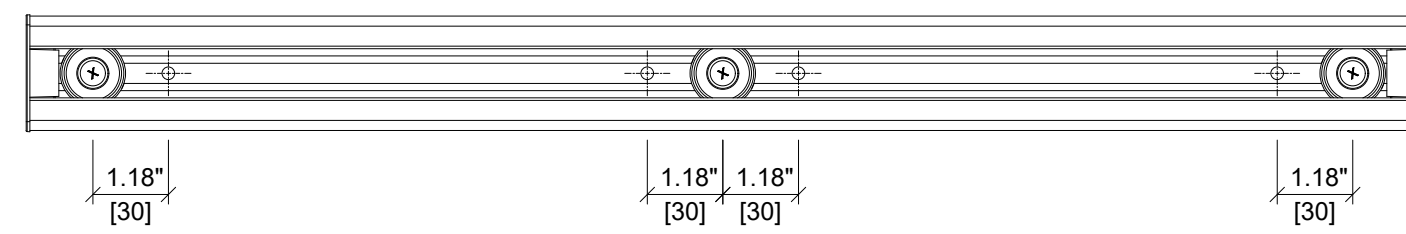
ELEVATION VIEW



SECTION A-A'



ISOMETRIC VIEW

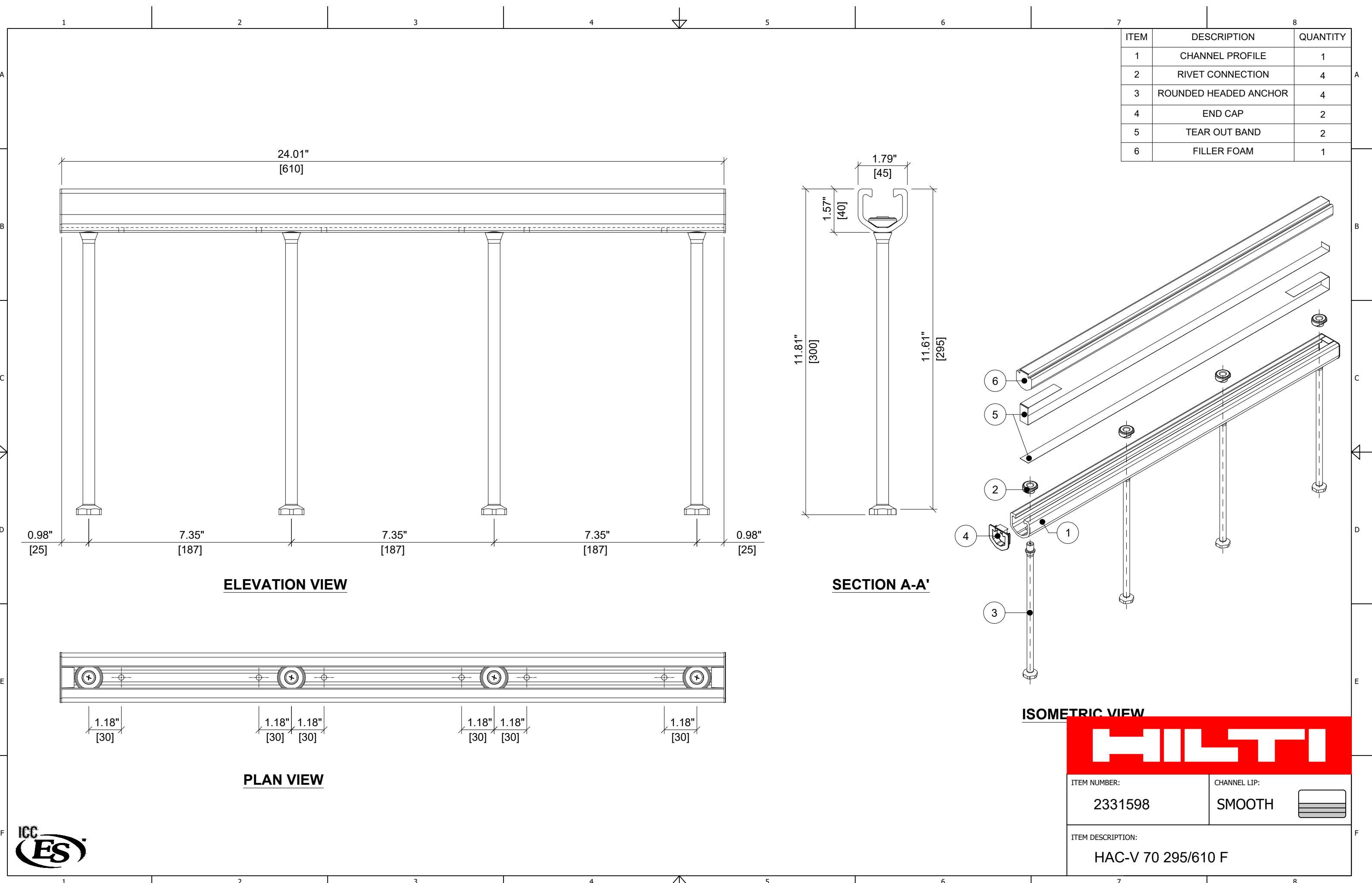


PLAN VIEW

HILTI

ITEM NUMBER: <div style="font-size: 18px; font-weight: bold; text-align: center;">2331597</div>	CHANNEL LIP: <div style="font-size: 18px; font-weight: bold; text-align: center;">SMOOTH</div>
ITEM DESCRIPTION: <div style="font-size: 18px; font-weight: bold; text-align: center;">HAC-V 70 295/550 F</div>	





ITEM	DESCRIPTION	QUANTITY
1	CHANNEL PROFILE	1
2	RIVET CONNECTION	4
3	ROUNDED HEADED ANCHOR	4
4	END CAP	2
5	TEAR OUT BAND	2
6	FILLER FOAM	1

ELEVATION VIEW

SECTION A-A'

PLAN VIEW

ISOMETRIC VIEW

HILTI

ITEM NUMBER: 2331598

CHANNEL LIP: SMOOTH 

ITEM DESCRIPTION: HAC-V 70 295/610 F

