

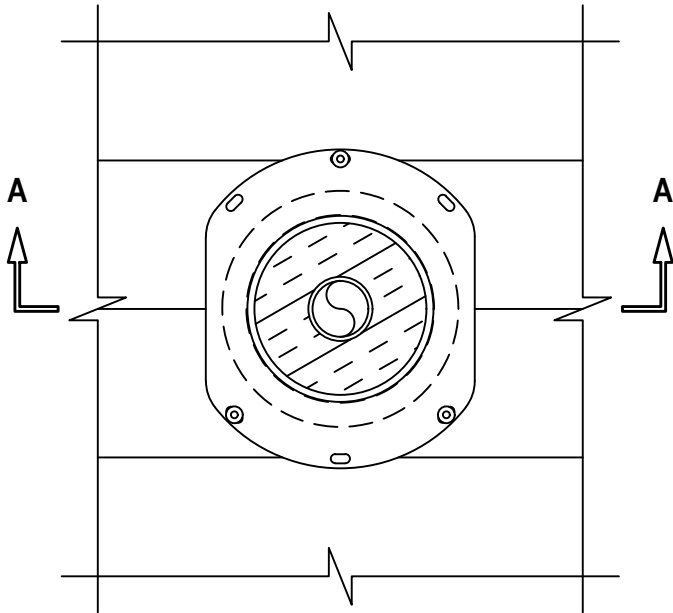
UL/cUL SYSTEM NO. F-G-5001

# INSULATED METAL PIPE THROUGH MASS TIMBER FLOOR ASSEMBLY

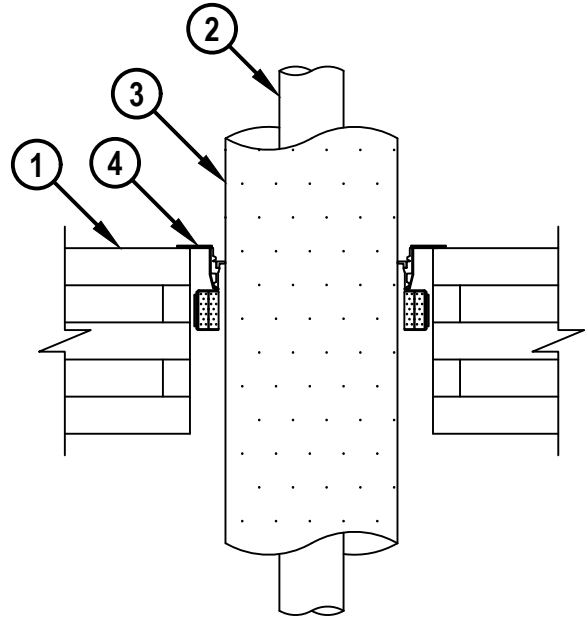
F-RATING = 1-1/2-HR.

T-RATING = 0-HR. OR 1-HR. (SEE NOTE BELOW)

**TOP VIEW**



**SECTION A-A**



FG5001a.092322



HILTI, Inc.  
Plano, Texas USA (800) 879-8000

Sheet	1 of 2
Scale	9/64" = 1"
Date	Sep. 23, 2022

Drawing No.  
**FG  
5001a**

*Saving Lives through Innovation and Education*

**INSULATED METAL PIPE THROUGH MASS TIMBER FLOOR ASSEMBLY**

F-RATING = 1-1/2-HR.

T-RATING = 0-HR. OR 1-HR. (SEE NOTE BELOW)

FG5001a.092322

1. CROSS-LAMINATED TIMBER (CLT) PANEL, MINIMUM 6-7/8 IN. THICK, 5 PLY CROSS, LABELED CLT 175-5S, 220-7S, 244-7S GRADE E1 IN ACCORDANCE WITH ANSI/APA PRG 320 AS REQUIRED BY CHAPTER 6 OF INTERNATIONAL BUILDING CODE (IBC) FOR TYPE IVA, IVB OR IVC CONSTRUCTION. THE REQUIRED HOURLY RATING OF THE CLT FLOOR SHALL BE DETERMINED IN ACCORDANCE WITH CHAPTER 16 OF THE NATIONAL DESIGN SPECIFICATION (NDS). ADDITIONAL INFORMATION REGARDING THE USE OF CLT AS PERMITTED IN THE IBC IS LOCATED IN THE UL XHEZ GUIDE INFORMATION.
2. PENETRATING ITEM TO BE ONE OF THE FOLLOWING :
  - A. MAXIMUM 4" NOMINAL DIAMETER STEEL PIPE (SCHEDULE 10 OR HEAVIER).
  - B. MAXIMUM 4" NOMINAL DIAMETER CAST OR DUCTILE IRON PIPE.
  - C. MAXIMUM 4" NOMINAL DIAMETER COPPER PIPE OR TUBING.
3. ONE OF THE FOLLOWING PIPE COVERS TO BE USED :
  - A. NOMINAL 1", 1-1/2", OR 2" THICK GLASS-FIBER PIPE INSULATION.
4. HILTI CFS-DID FIRESTOP DROP-IN DEVICE INSERTED INTO OPENING (SEE TABLE BELOW) AND SECURED TO TOP OF FLOOR WITH THREE 1/4" DIAMETER BY 1" LONG WOOD SCREWS AND 1" STEEL WASHERS (INSTALLED IN A TRIANGULAR FASHION THROUGH HOLES PROVIDED).

NOM. PIPE OR TUBE DIAM, IN.	INSULATION TYPE AND THICKNESS, IN.	FIRESTOP DEVICE	CORE HOLD DIAM, IN.	FLOOR THICKNESS IN. (MIN TO MAX OR NOMINAL)
1/2	1 GLASS-FIBER	CFS-DID 2" MD	4	NOM. 6-7/8
1	1 GLASS-FIBER	CFS-DID 3" MD	5	NOM. 6-7/8
1	1-1/2 GLASS-FIBER	CFS-DID 4" MD	6	NOM. 6-7/8
2	1 GLASS-FIBER	CFS-DID 4" MD	6	NOM. 6-7/8
2	2 GLASS-FIBER	CFS-DID 6" MD	9	NOM. 6-7/8
4	1 GLASS-FIBER	CFS-DID 6" MD	9	NOM. 6-7/8
1/2	1 GLASS-FIBER	CFS-DID 2" C	4	6-7/8 TO 9-1/2
1	1 GLASS-FIBER	CFS-DID 3" C	5	6-7/8 TO 9-1/2
1	1-1/2 GLASS-FIBER	CFS-DID 4" C	6	6-7/8 TO 9-1/2
2	1 GLASS-FIBER	CFS-DID 4" C	6	6-7/8 TO 9-1/2
2	2 (51) GLASS-FIBER	CFS-DID 6" C	9	6-7/8 TO 9-1/2
4	1 (25) GLASS-FIBER	CFS-DID 6" C	9	6-7/8 TO 9-1/2

NOTE : WHEN 2" INSULATION IS USED, THE T-RATING IS 1-HR., OTHERWISE THE T-RATING IS 0-HR.



Hilti Firestop Systems

HILTI, Inc.  
Plano, Texas USA (800) 879-8000

Sheet 2 of 2

Scale -

Date Sep. 23, 2022

Drawing No.

**FG**  
**5001a**

Saving Lives through Innovation and Education