

UL/cUL SYSTEM NO. FF-D-1125

## FIRE-RATED JOINT THROUGH CONCRETE FLOOR ASSEMBLY

ASSEMBLY RATING = 4-HR.

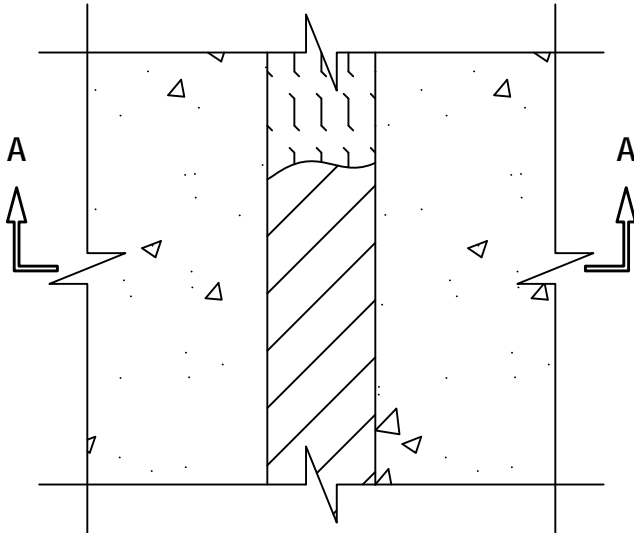
L-RATING AT AMBIENT = LESS THAN 1 CFM / LIN FT

L-RATING AT 400°F = LESS THAN 1 CFM / LIN FT

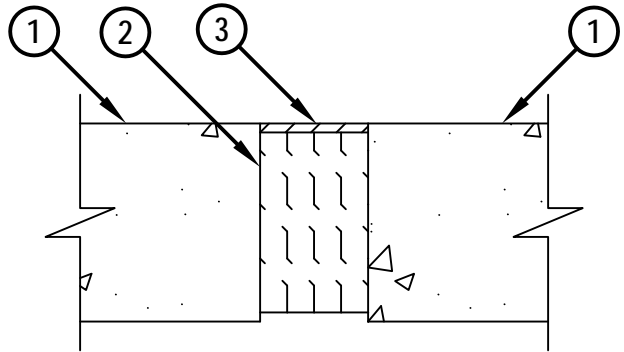
CLASS II MOVEMENT CAPABILITIES - 12.5% COMPRESSION OR EXTENSION

FFD1125a.092313

TOP VIEW



SECTION A-A



1. LIGHTWEIGHT OR NORMAL WEIGHT CONCRETE FLOOR ASSEMBLY (MINIMUM 5-1/2" THICK) (4-HR. FIRE-RATING).
2. MINIMUM 5" THICKNESS MINERAL WOOL SAFING (MIN. 4 PCF DENSITY) COMPRESSED 50% AND RECESSED TO ACCOMMODATE FIRESTOP SEALANT.
3. MINIMUM 1/4" DEPTH HILTI CFS-S SIL GG OR CFS-S SIL SL FIRESTOP SILICONE SEALANT FLUSH WITH THE TOP SURFACE OF FLOOR.

NOTE : MAXIMUM WIDTH OF JOINT = 3".



**Hilti Firestop Systems**

HILTI, Inc.  
Tulsa, Oklahoma USA (800) 879-8000

Sheet	1 of 1
Scale	3/16" = 1"
Date	Sep. 23, 2013

Drawing No.

**FFD  
1125a**

***Saving Lives through Innovation and Education***