

UL/cUL SYSTEM NO. FW-D-0067

FIRE-RATED JOINT THROUGH CONCRETE FLOOR ASSEMBLY

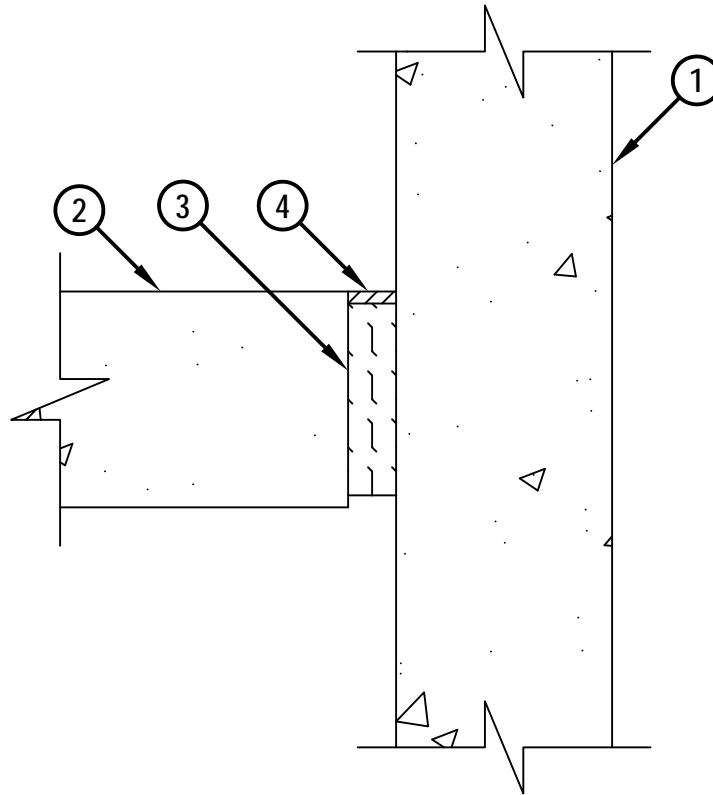
ASSEMBLY RATING = 2-HR.

L-RATING AT AMBIENT = LESS THAN 1 CFM / LIN FT

L-RATING AT 400°F = LESS THAN 1 CFM / LIN FT

CLASS II AND CLASS III MOVEMENT CAPABILITIES - 25% COMPRESSION OR EXTENSION

CROSS-SECTIONAL VIEW



1. CONCRETE WALL ASSEMBLY (2-HR. FIRE-RATING) :
 - A. LIGHTWEIGHT OR NORMAL WEIGHT CONCRETE WALL (MINIMUM 4-1/2" THICK).
 - B. ANY UL/cUL CLASSIFIED CONCRETE BLOCK WALL.
2. LIGHTWEIGHT OR NORMAL WEIGHT CONCRETE FLOOR (MINIMUM 4-1/2" THICK) (2-HR. FIRE-RATING).
3. MINIMUM 4" THICKNESS MINERAL WOOL SAFING (MIN. 4 PCF DENSITY) COMPRESSED 50% AND RECESSED TO ACCOMMODATE FIRESTOP SEALANT.
4. MINIMUM 1/4" DEPTH HILTI CFS-S SIL GG OR CFS-S SIL SL FIRESTOP SILICONE SEALANT FLUSH WITH THE TOP SURFACE OF FLOOR.

NOTE : MAXIMUM WIDTH OF JOINT = 1".



Hilti Firestop Systems

HILTI, Inc.
Tulsa, Oklahoma USA (800) 879-8000

Sheet	1 of 1
Scale	1/4" = 1"
Date	Jan. 09, 2014

Drawing No.

**FWD
0067a**

Saving Lives through Innovation and Education

FWD0067a.010914