

PLASTIC PIPE THROUGH CONCRETE FLOOR/CEILING ASSEMBLY

F-RATING = 1-HR.

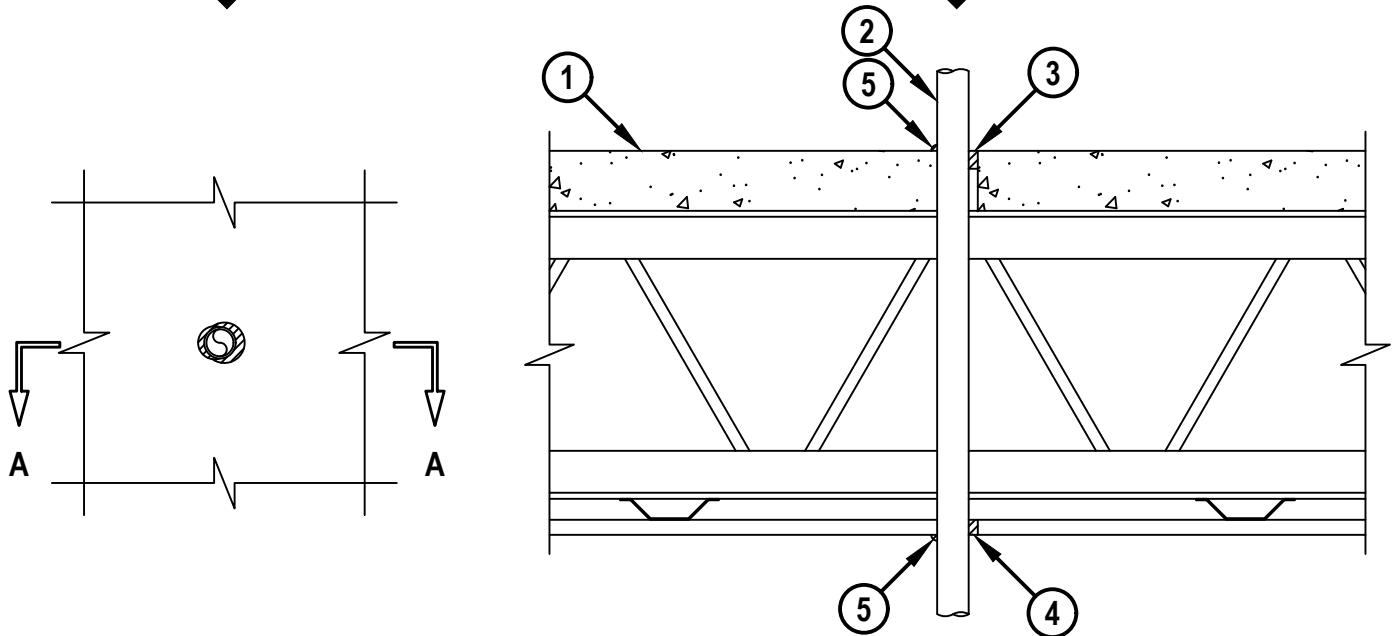
FT-RATING = 1/4-HR., 3/4-HR., OR 1-HR. (SEE NOTE NO. 3 BELOW)

FH AND FTH-RATINGS = 0-HR.

NOTE : TESTED WITH A 50 Pa PRESSURE DIFFERENTIAL

BOTTOM VIEW

SECTION A-A



1. CONCRETE AND STEEL JOIST FLOOR/CEILING ASSEMBLY (UL/cUL CLASSIFIED G500 SERIES) (1-HR. FIRE-RATING).
2. PENETRATING ITEM TO BE ONE OF THE FOLLOWING :
 - A. MAXIMUM 2" (63 MM OD) NOMINAL DIAMETER AQUATHERM GREENPIPE POLYPROPYLENE (PP-R) PLASTIC PIPE (SDR 7.4) (CLOSED OR VENTED PIPING SYSTEM).
 - B. MAXIMUM 2" (63 MM OD) NOMINAL DIAMETER NUPI AMERICAS NIRON POLYPROPYLENE (PP-RCT) PLASTIC PIPE (SDR 7.3) (CLOSED OR VENTED PIPING SYSTEM).
 - C. MAXIMUM 2" (51 MM OD) NOMINAL DIAMETER XFR POLYVINYL CHLORIDE (PVC) PIPE (SCHEDULE 40) (CLOSED OR VENTED PIPING SYSTEM).
 - D. MAXIMUM 2" (63 MM OD) NOMINAL DIAMETER AQUATECHNIK NA FUSION-TECH POLYPROPYLENE (PP-RCT) PLASTIC PIPE (SDR 7.4) (CLOSED OR VENTED PIPING SYSTEM).
3. MINIMUM 3/4" DEPTH HILTI FS-ONE MAX INTUMESCENT FIRESTOP SEALANT.
4. MINIMUM 1/2" DEPTH HILTI FS-ONE MAX INTUMESCENT FIRESTOP SEALANT.
5. MINIMUM 1/4" BEAD HILTI FS-ONE MAX INTUMESCENT FIRESTOP SEALANT APPLIED AT POINT OF CONTACT.

NOTES : 1. DIAMETER OF OPENING = MAXIMUM 1" LARGER THAN OUTSIDE DIAMETER OF PIPE.
 2. ANNULAR SPACE = MINIMUM, 0", MAXIMUM 1".
 3. FT-RATING IS 1/4-HR. FOR PENETRANT TYPE 2C.
 FT-RATING IS 3/4-HR. FOR PENETRANT TYPE 2A.
 FT-RATING IS 1-HR. FOR PENETRANT TYPES 2B AND 2D.

cUL FE2062b.081722



HILTI, Inc.
 Plano, Texas USA (800) 879-8000

Sheet	1 of 1
Scale	1/8" = 1"
Date	Aug. 18, 2022

Drawing No.

cUL
FE2062b