

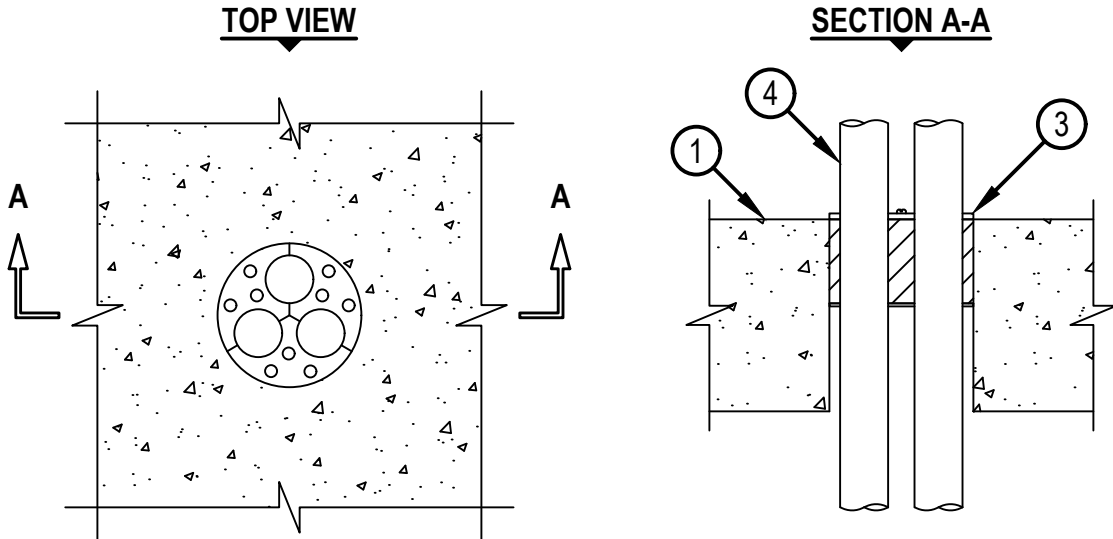


Classified by  
Underwriters Laboratories, Inc.  
to UL 1479 and CAN/ULC-S115

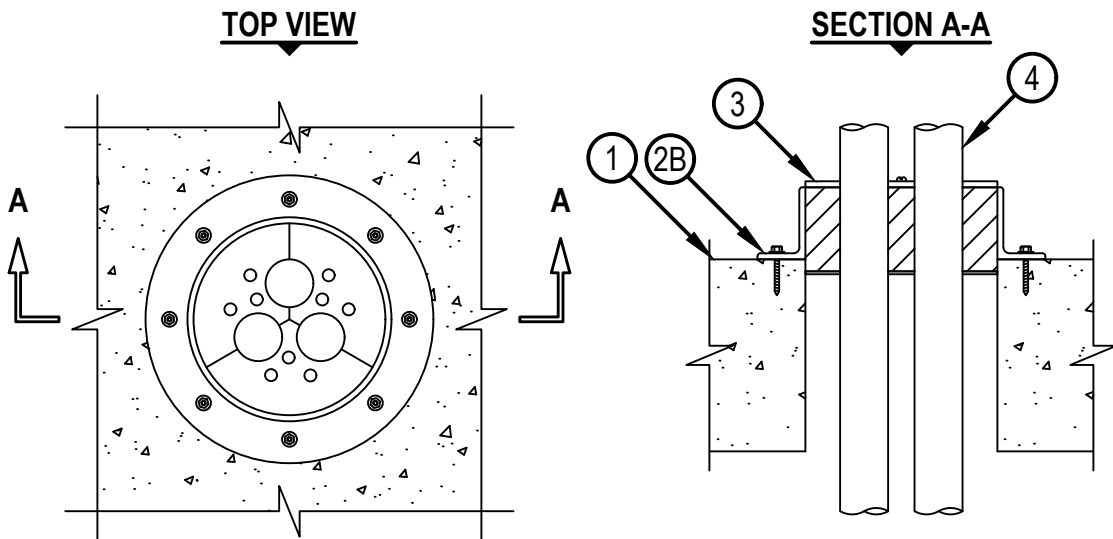
# System No. C-BJ-3050

CBJ 3048

| ANSI/UL1479 (ASTM E814)                             | CAN/ULC S115  |
|---|---|
| F Rating — 2 Hr                                     | F Rating — 2 Hr                                       |
| T Ratings — 3/4, 1, 1-1/2 and 1-3/4 Hr (See Item 4) | FT Ratings — 3/4, 1, 1-1/2 and 1-3/4 Hr (See Item 4)  |
|   | FH Rating — 2 Hr                                      |
|   | FTH Ratings — 3/4, 1, 1-1/2 and 1-3/4 Hr (See Item 4) |



**FIGURE A**



**FIGURE B**



Reproduced by HILTI, Inc. Courtesy of  
Underwriters Laboratories, Inc.  
January 15, 2023

# System No. C-BJ-3050

CBJ 3050

1. Floor or Wall Assembly — Min 8 in. (203 mm) thick reinforced lightweight or normal weight (100-150 pcf or 1600-2400 kg/m<sup>3</sup>) concrete. Wall may also be constructed of any UL Classified solid or filled Concrete Blocks\*. Opening size in wall or floor shall be same as the outside diam of device. Max diam of opening is 8 in. or 203 mm (see Item 3).  
See Concrete Blocks (CAZT) category in the Fire Resistance Directory for names of manufacturers.
2. Fill Void Cavity Material — (Not Shown) Firestop system shall consist of the following.
  - A. Firestop sealant (Required for use with Item 2B) – Minimum ½ in. bead applied to concrete floor around perimeter of opening prior to installation of Steel Sleeve (Item 2B).  
HILTI CONSTRUCTION CHEMICALS, DIV OF HILTI INC — CP 606 or FS-ONE MAX
  - B. Steel Sleeve (Optional) to be secured to top of floor assembly or both sides of wall assembly around perimeter of opening through pre-drilled holes in sleeve flange with 1-7/8 in. long concrete screw anchors with 1-1/4 in. (32 mm) steel washer.  
HILTI CONSTRUCTION CHEMICALS, DIV OF HILTI INC — CFS-T SLF
  - C. Sealing Strip– (Optional for Item 3A, Optional for item 3B in conjunction with item 2B, Required for Item 3B when 2B is not used) One layer of nom 60 mm wide by 1 mm thick sealing strip may be wrapped around the outer periphery Cable Transit Device.  
HILTI CONSTRUCTION CHEMICALS, DIV OF HILTI INC — CFS-T SST Sealing Strip
3. Firestop Device\* — Opening diameter to match table below. The firestop devices have precut holes for site specific penetrations of known cable diameters, and device seams to allow for field installation around cables. The devices shall be installed in accordance with the accompanying installation instructions.
  - A. The circular firestop device consists of a cable transit device flush with top of the floor. Device to be friction fit into the opening flush with top of floor assembly. In walls, device to be in the opening, flush with each side of wall opening.  
HILTI CONSTRUCTION CHEMICALS, DIV OF HILTI INC — CFS-T RR3 150
  - B. The circular firestop device consists of cable transit device flush with top of the floor. Device to be friction fit into the opening flush with top of floor assembly. In walls, device to be in the opening, flush with each side of wall opening.  
HILTI CONSTRUCTION CHEMICALS, DIV OF HILTI INC — CFS-T RR3 200
4. Cables — Cables to be rigidly supported on both sides of floor or wall assembly. Any combination of the following types and sizes of copper conductor (unless otherwise noted) cables may be used as specified in the Table below.
  - A. (For use with Item 3A) Max 48 mm OD, 2080 KG/KM copper conductor power and control cable cores up to 5 with PVC outer core and PVC core insulation.
  - B. (For use with Item 3B) Max 65 mm OD, with Max 8159 KG/KM copper conductor power cable cores up to 5 with PVC DMV5 outer sheath and core insulation of PVC DIV.

The T, FT and FTH Ratings of the firestop system are dependent on the Cable Transit Device and type of cables installed as noted in Table below.

| Cable Transit Device | Opening Diam | No. of Cables | Cable OD  | T, FT and FTH Ratings   |
|----------------------|--------------|---------------|-----------|---|
| CFS-T RR3 150        | 6 in.        | 3             | Max 48 mm | 3/4 Hr (Cable Item 4A)<br>1 Hr (Cable Item 4A with steel sleeve)        |
| CFS-T RR3 200        | 8 in.        | 3             | Max 65 mm | 1-1/2 Hr (Cable Items 4B)<br>1-3/4 Hr (Cable Item 4B with steel sleeve) |

\* Indicates such products shall bear the UL or cUL Certification Mark for jurisdictions employing the UL or cUL Certification (such as Canada), respectively.



**Hilti Firestop Systems**

Reproduced by HILTI, Inc. Courtesy of  
Underwriters Laboratories, Inc.  
January 15, 2023