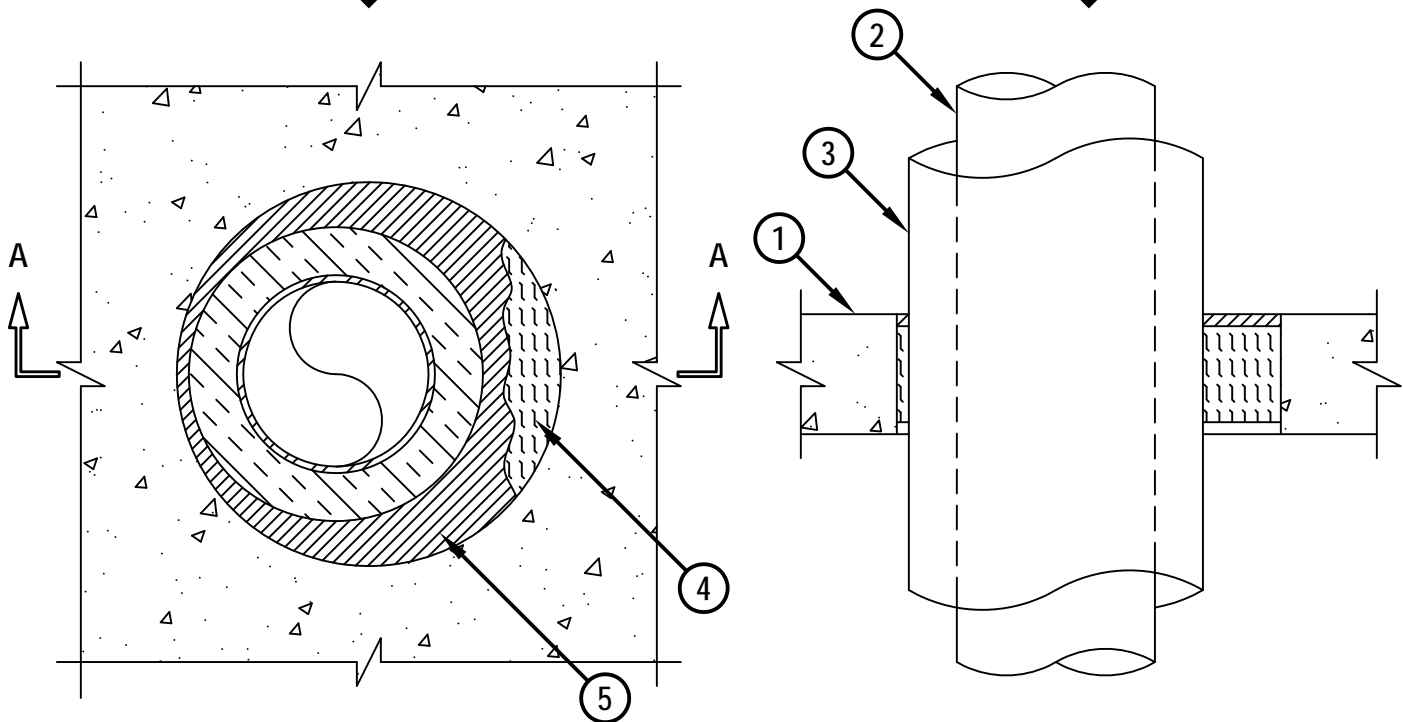


# INSULATED METAL PIPE THROUGH CONCRETE FLOOR ASSEMBLY

F-RATING = 2-HR.  
 FT-RATING = 1/2 AND 3/4-HR.  
 FH AND FTH-RATINGS = 0-HR.

TOP VIEW

SECTION A-A



cUL FA5005b.010714

1. LIGHTWEIGHT OR NORMAL WEIGHT CONCRETE FLOOR ASSEMBLY (MINIMUM 2-1/2" THICK) (2-HR. FIRE-RATING).
2. PENETRATING ITEM TO BE ANY ONE OF THE FOLLOWING :
  - A. MAXIMUM 4" NOMINAL DIAMETER STEEL PIPE (SCHEDULE 10 OR HEAVIER).
  - B. MAXIMUM 4" NOMINAL DIAMETER CAST OR DUCTILE IRON PIPE.
  - C. MAXIMUM 4" NOMINAL DIAMETER COPPER PIPE OR TUBING.
3. NOMINAL 1" OR 1-1/2" THICKNESS GLASS-FIBER PIPE INSULATION.
4. MINIMUM 2" THICKNESS MINERAL WOOL (MIN. 4 PCF DENSITY) TIGHTLY PACKED AND RECESSED TO ACCOMMODATE FIRESTOP SEALANT.
5. MINIMUM 1/4" DEPTH HILTI CP 604 SELF-LEVELING FIRESTOP SEALANT, HILTI CFS-S SIL GG FIRESTOP SILICONE SEALANT, OR HILTI CFS-S SIL SL FIRESTOP SILICONE SEALANT FLUSH WITH TOP SURFACE OF CONCRETE FLOOR ASSEMBLY.

NOTES : 1. MAXIMUM DIAMETER OF OPENING = 8".  
 2. ANNULAR SPACE = MINIMUM 1/4", MAXIMUM 5-1/8".  
 3. AS AN ALTERNATE TO GLASS-FIBER, MINERAL FIBER (3.5 PCF DENSITY) PIPE INSULATION MANUFACTURED BY IIG MINWOOL LLC MAY BE USED. SECURE INSULATION TO PIPE WITH STEEL WIRE (MIN. 18 GA.) SPACED 12" OC.



HILTI, Inc.  
 Tulsa, Oklahoma USA (800) 879-8000

Sheet	1 of 1
Scale	1/4" = 1"
Date	Jan. 07, 2014

Drawing No.  
**cUL**  
**FA5005b**