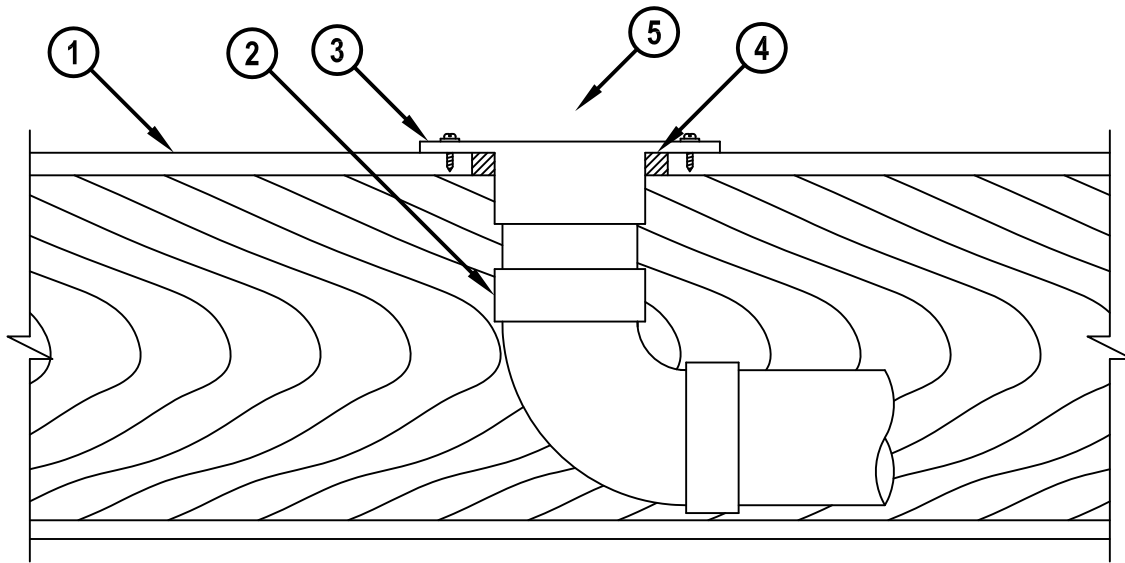


CLOSET FLANGE IN WOOD FLOOR/CEILING ASSEMBLY

F-RATING = 1-HR.
 FT-RATING = 3/4-HR.
 FH-RATING = 1-HR.
 T-RATING = 1/2-HR.

NOTE : TESTED WITH A 50 Pa PRESSURE DIFFERENTIAL
CROSS-SECTIONAL VIEW

cUL FC2010c.011715



1. WOOD FLOOR/CEILING ASSEMBLY (UL/cUL CLASSIFIED L500 SERIES) (1-HR. FIRE-RATING).
2. DRAIN PIPING AND 90° ELBOW TO BE ONE OF THE FOLLOWING :
 - A. NOMINAL 4" DIAMETER PVC PLASTIC PIPE (SCHEDULE 40).
 - B. NOMINAL 4" DIAMETER ABS PLASTIC PIPE (SCHEDULE 40).
3. PVC OR ABS CLOSET FLANGE SIZED TO ACCOMMODATE DRAIN PIPE. CLOSET FLANGE SECURED TO PLYWOOD SUBFLOOR WITH STEEL SCREWS.
4. MINIMUM 3/4" DEPTH HILTI FS-ONE MAX OR FS-ONE INTUMESCENT FIRESTOP SEALANT OR CP 606 FLEXIBLE FIRESTOP SEALANT.
5. [NOT SHOWN] FLOOR MOUNTED VITREOUS CHINA WATER CLOSET.

NOTE : DIAMETER OF OPENING TO BE MAXIMUM 1/2" LARGER THAN OUTSIDE DIAMETER OF CLOSET FLANGE.



HILTI, Inc.
 Tulsa, Oklahoma USA (800) 879-8000

Sheet	1 of 1
Scale	5/32" = 1"
Date	Jan. 17, 2015

Drawing No.
cUL
FC2010c