

PLASTIC PEX PIPE THROUGH WOOD FLOOR/CEILING ASSEMBLY

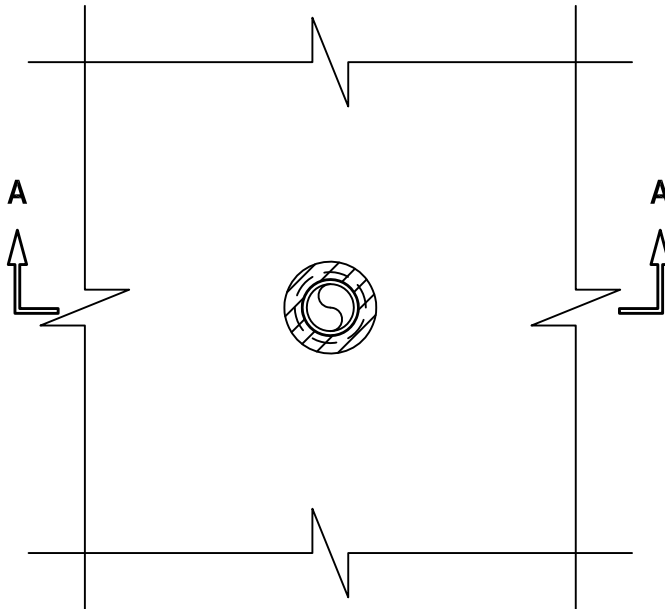
F AND FH-RATINGS = 1-HR.

FT AND FTH-RATINGS = 1/4-HR.

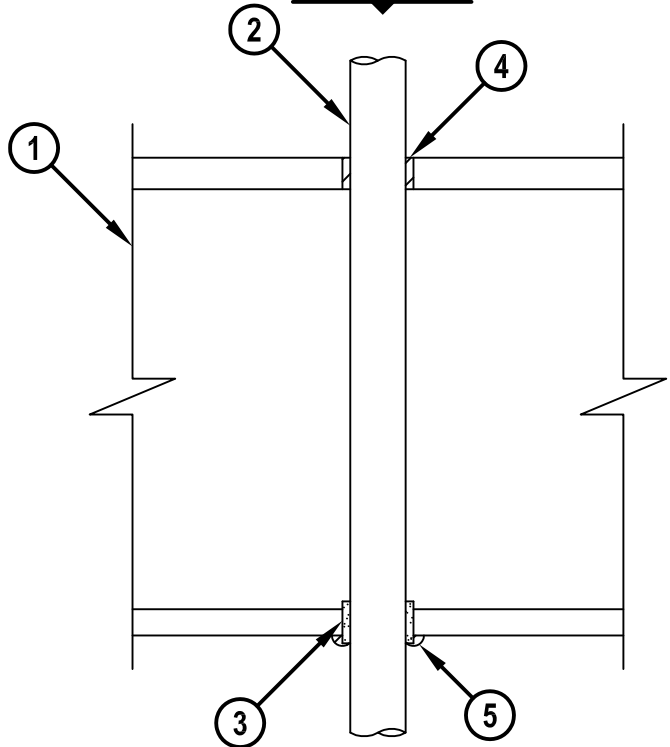
NOTE : TESTED WITH A 50 Pa PRESSURE DIFFERENTIAL

cUL FC2005f.011715

TOP VIEW



SECTION A-A



1. WOOD FLOOR/CEILING ASSEMBLY (UL/cUL CLASSIFIED L500 SERIES) (1-HR. FIRE-RATING).
2. PENETRATING ITEM TO BE ONE OF THE FOLLOWING :
 - A. MAXIMUM 1" NOMINAL DIAMETER CROSS LINKED POLYETHYLENE (PEX) SDR 9 TUBING (CLOSED OR VENTED PIPING SYSTEM).
 - B. MAXIMUM 1" NOMINAL DIAMETER AQUARISE CPVC PLASTIC PIPE (SDR 11) MANUFACTURED BY IPEX, INC. (CLOSED PIPING SYSTEM ONLY).
3. HILTI CP 648E WRAP STRIP (NOMINAL 3/16" THICK x 1" WIDE) CONTINUOUSLY WRAPPED AROUND THE OUTER CIRCUMFERENCE OF THE TUBE, CENTERED WITHIN GYPSUM CEILING, COVERING ONCE, WITH ENDS HELD IN PLACE WITH TAPE.
4. MINIMUM 3/4" DEPTH HILTI FS-ONE MAX OR FS-ONE INTUMESCENT FIRESTOP SEALANT.
5. MINIMUM 1/4" BEAD HILTI FS-ONE MAX OR FS-ONE INTUMESCENT FIRESTOP SEALANT AT WRAP STRIP/ GYPSUM INTERFACE.

NOTES : 1. MAXIMUM DIAMETER OF OPENING = 1-1/2".
 2. ANNULAR SPACE = NOMINAL 1/4".



HILTI, Inc.
 Tulsa, Oklahoma USA (800) 879-8000

Sheet	1 of 1
Scale	7/32" = 1"
Date	Jan. 17, 2015

Drawing No.
cUL
FC2005f