

cUL SYSTEM NO. W-L-2028



# PLASTIC PIPE THROUGH GYPSUM WALL ASSEMBLY

F-RATING = 1-HR. OR 2-HR.

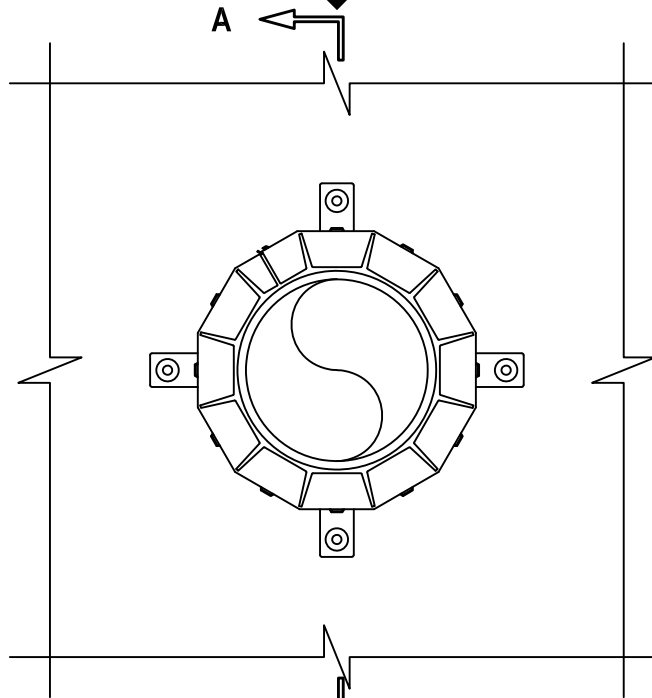
FT-RATING = 0-HR. OR 1-HR.

FH AND FTH-RATINGS = 0-HR.

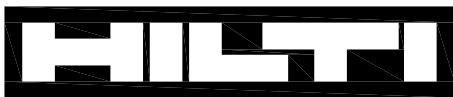
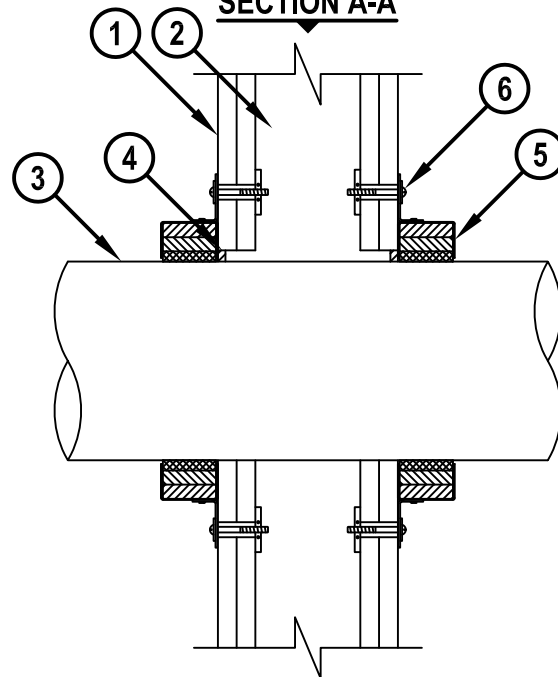
NOTE : TESTED WITH A 50 Pa PRESSURE DIFFERENTIAL

cUL WL2028f.102918

## FRONT VIEW



## SECTION A-A



Hilti Firestop Systems

HILTI, Inc.  
Plano, Texas USA (800) 879-8000

|       |               |
|-------|---------------|
| Sheet | 1 of 2        |
| Scale | 5/32" = 1"    |
| Date  | Oct. 29, 2018 |

Drawing No.

**cUL**  
**WL2028f**

*Saving Lives through Innovation and Education*

**PLASTIC PIPE THROUGH GYPSUM WALL ASSEMBLY**

F-RATING = 1-HR. OR 2-HR.

FT-RATING = 0-HR. OR 1-HR.

FH AND FTH-RATINGS = 0-HR.

NOTE : TESTED WITH A 50 Pa PRESSURE DIFFERENTIAL

cUL WL2028f.102918

1. GYPSUM WALL ASSEMBLY (UL/cUL CLASSIFIED U300, U400, OR V400 SERIES) (1-HR. OR 2-HR. FIRE-RATING) (2-HR. SHOWN).
2. [NOT SHOWN] WOOD STUDS TO CONSIST OF NOMINAL 2" x 4" LUMBER. STEEL STUDS TO BE MINIMUM 2-1/2" WIDE.
3. PENETRATING ITEM TO BE ONE OF THE FOLLOWING (SEE NOTE NO. 2 BELOW) :
  - A. MAXIMUM 6" NOMINAL DIAMETER PVC PLASTIC PIPE (CELLULAR OR SOLID CORE).
  - B. MAXIMUM 6" NOMINAL DIAMETER ABS PLASTIC PIPE (CELLULAR OR SOLID CORE).
  - C. MAXIMUM 6" NOMINAL DIAMETER FRPP PLASTIC PIPE.
  - D. MAXIMUM 6" NOMINAL DIAMETER CPVC PLASTIC PIPE (SDR 11 OR SDR 13.5).
  - E. MAXIMUM 6" NOMINAL DIAMETER AQUARISE CPVC PLASTIC PIPE (SDR 11) MANUFACTURED BY IPEX, INC. (CLOSED PIPING SYSTEM ONLY).
  - F. MAXIMUM 4" NOMINAL DIAMETER RIGID NONMETALLIC CONDUIT (SCH 40 PVC).
4. MINIMUM 1/4" DEPTH HILTI FS-ONE MAX INTUMESCENT FIRESTOP SEALANT OR HILTI CP 606 FLEXIBLE FIRESTOP SEALANT (SEE NOTE NO. 3 BELOW).
5. HILTI CP 643N FIRESTOP COLLAR WITH FASTENING HOOKS (SEE TABLE BELOW).
6. ATTACH EACH FASTENING HOOK TO WALL ASSEMBLY WITH HILTI 3/16" TOGGLER BOLTS AND WASHERS. FOR PIPES 4" OR SMALLER, COLLARS MAY BE FASTENED WITH NO. 10 x 1-1/2" LONG DRYWALL OR LAMINATE SCREWS WITH 3/4" STEEL WASHERS.

| NOMINAL PIPE DIAMETER | PRODUCT DESCRIPTION | NO. OF FASTENING HOOKS | MAXIMUM HOLE SIZE |
|-----------------------|---------------------|------------------------|-------------------|
| 1-1/2"                | CP 643 50/1.5 N     | 2                      | 2-1/8"            |
| 2"                    | CP 643 63/2" N      | 2                      | 2-5/8"            |
| 3"                    | CP 643 90/3" N      | 3                      | 4"                |
| 4"                    | CP 643 110/4" N     | 3                      | 5"                |
| 6"                    | CP 643 160/6" N     | 4                      | 7"                |

**NOTES :** 1. ANNULAR SPACE = MINIMUM 0", MAXIMUM 1/2".  
 2. CLOSED OR VENTED PIPING SYSTEM (PVC, ABS, FRPP = SCH 40; CPVC = SDR 11 OR 13.5).  
 3. HILTI CP 606 FLEXIBLE FIRESTOP SEALANT IS NOT SUITABLE FOR USE WITH CPVC PIPES.



HILTI, Inc.  
 Plano, Texas USA (800) 879-8000

|       |               |
|-------|---------------|
| Sheet | 2 of 2        |
| Scale | -             |
| Date  | Oct. 29, 2018 |

Drawing No.  
**cUL**  
**WL2028f**