

# PLASTIC PIPE THROUGH CONCRETE FLOOR/WALL ASSEMBLY

F-RATING = 2-HR. OR 3-HR.

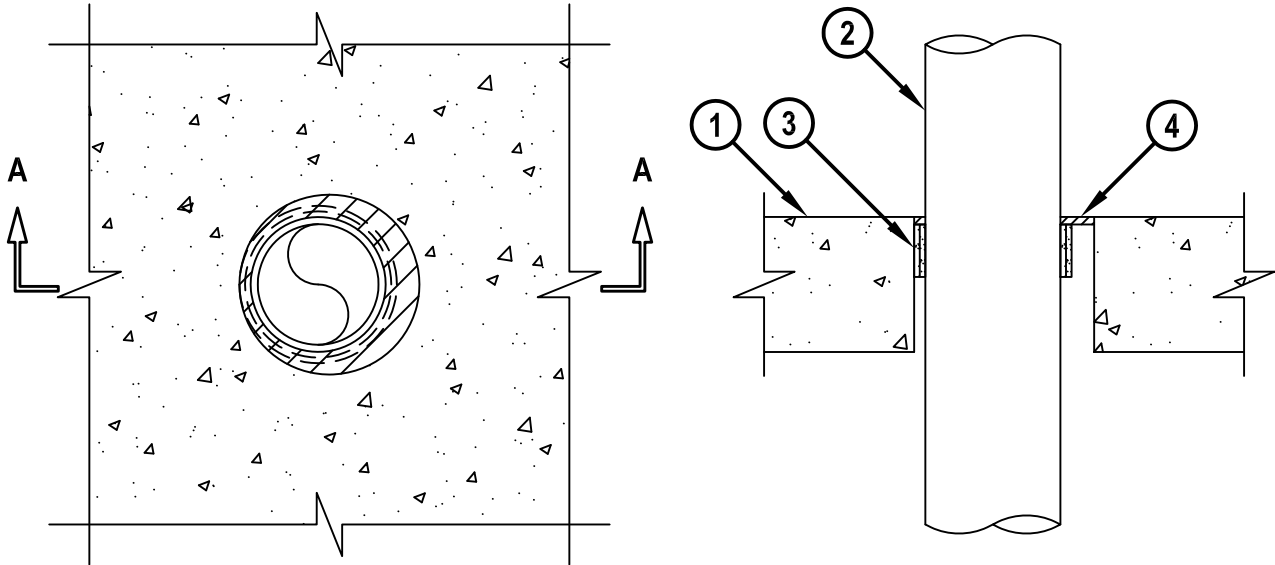
FT-RATING = 1/4-HR.

FH AND FTH-RATINGS = 0-HR.

NOTE : TESTED WITH A 50PA PRESSURE DIFFERENTIAL

**TOP VIEW**

**SECTION A-A**



cUL CAJ2049b.011715

1. CONCRETE FLOOR OR WALL ASSEMBLY (2-HR. OR 3-HR. FIRE-RATING) :
  - A. LIGHTWEIGHT OR NORMAL WEIGHT CONCRETE FLOOR OR WALL (MINIMUM 4-1/2" THICK).
  - B. ANY UL/cUL CLASSIFIED CONCRETE BLOCK WALL.
2. NOMINAL 2", 3" OR 4" DIAMETER PVDF PLASTIC PIPE (SCHEDULE 40) (VENTED OR CLOSED PIPING SYSTEM).
3. HILTI CP 648E WRAP STRIP (NOMINAL 3/16" THICK x 1-3/4" WIDE) CONTINUOUSLY WRAPPED AROUND THE OUTER CIRCUMFERENCE OF THE PIPE, AS SPECIFIED IN THE TABLE BELOW, WITH ENDS BUTTED AND HELD IN PLACE WITH TAPE. WRAP STRIP RECESSED 2-1/2" FROM BOTTOM SURFACE OF FLOOR.
4. MINIMUM 1/4" DEPTH HILTI FS-ONE MAX OR FS-ONE INTUMESCENT FIRESTOP SEALANT.

NOMINAL PIPE DIAMETER	MAXIMUM OPENING SIZE	ANNULAR SPACE		NO. OF LAYERS OF CP 648E	F-RATING
		MINIMUM	MAXIMUM		
2"	3"	3/16"	7/16"	1	3
3"	5"	3/8"	1-1/8"	2	2
4"	6"	3/8"	1-1/8"	2	2

NOTE : HILTI CP 648E WRAP STRIP(S) AND FS-ONE MAX OR FS-ONE INTUMESCENT FIRESTOP SEALANT ARE REQUIRED ON BOTH SIDES OF A WALL ASSEMBLY.



HILTI, Inc.  
Tulsa, Oklahoma USA (800) 879-8000

Sheet	1 of 1
Scale	5/32" = 1"
Date	Jan. 17, 2015

Drawing No.  
**cUL**  
**CAJ2049b**