

PLASTIC PIPE THROUGH GYPSUM WALL ASSEMBLY

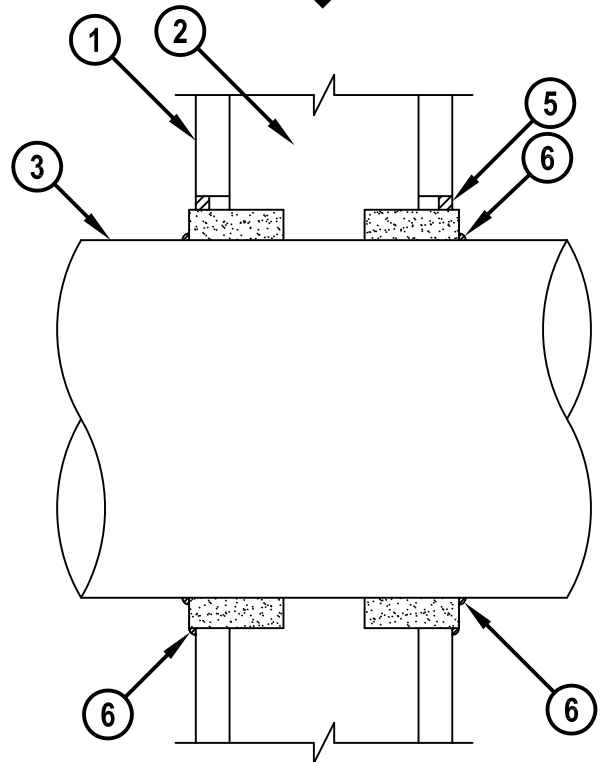
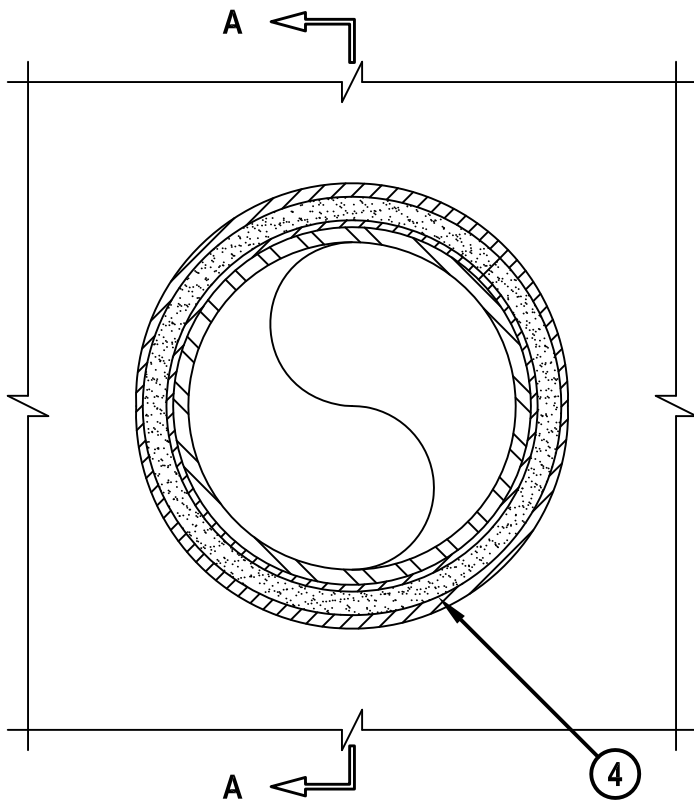
F-RATING = 1-HR.

FT, FH, AND FTH-RATING = 0-HR.

NOTE : TESTED WITH A 50 Pa PRESSURE DIFFERENTIAL

FRONT VIEW

SECTION A-A



cUL WL2032c.011715

1. GYPSUM WALL ASSEMBLY (UL/cUL CLASSIFIED U300 OR U400 SERIES) (1-HR. FIRE-RATING).
2. [NOT SHOWN] WOOD STUDS TO CONSIST OF NOMINAL 2" x 4" LUMBER. STEEL STUDS TO BE MINIMUM 3-1/2" WIDE.
3. PENETRATING ITEM TO BE ONE OF THE FOLLOWING (SEE NOTE NO. 3) :
 - A. MAXIMUM 6" NOMINAL DIAMETER PVC PLASTIC PIPE (CELLULAR OR SOLID CORE).
 - B. MAXIMUM 6" NOMINAL DIAMETER CPVC PLASTIC PIPE (CLOSED PIPING SYSTEM).
4. HILTI CP 648S-6" FIRESTOP WRAP STRIP WRAPPED CONTINUOUSLY AROUND CIRCUMFERENCE OF PIPE AND SECURED IN PLACE WITH INTEGRATED FASTENING TAPE, SUCH THAT THE WRAP STRIP PROTRUDES 1/8" FROM WALL SURFACE.
5. MINIMUM 1/4" DEPTH HILTI FS-ONE MAX OR FS-ONE INTUMESCENT FIRESTOP SEALANT.
6. MINIMUM 1/8" BEAD HILTI FS-ONE MAX OR FS-ONE INTUMESCENT FIRESTOP SEALANT APPLIED AT WRAP STRIP/GYPSUM WALL INTERFACE AND WRAP STRIP/PIPE INTERFACE.

NOTES : 1. MAXIMUM DIAMETER OF OPENING = 8".
 2. ANNULAR SPACE = MINIMUM 9/16", MAXIMUM 13/16".
 3. CLOSED OR VENTED PIPING SYSTEM (PVC = SCHEDULE 40, CPVC = SDR 13.5).



HILTI, Inc.
 Tulsa, Oklahoma USA (800) 879-8000

Sheet	1 of 1
Scale	9/32" = 1"
Date	Jan. 17, 2015

Drawing No.
cUL
WL2032c