

PLASTIC PIPE THROUGH WOOD FLOOR/CEILING ASSEMBLY

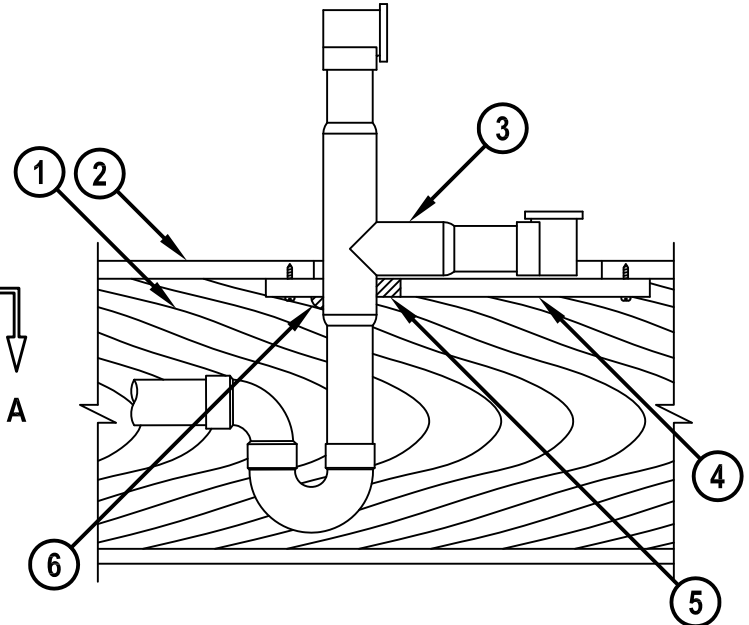
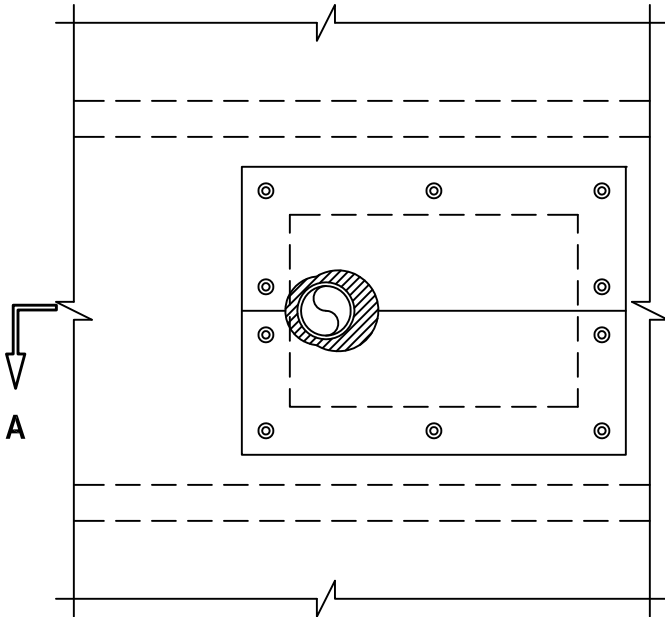
F AND FT-RATINGS = 1-HR.

FH AND FTH-RATINGS = 0-HR.

NOTE : TESTED WITH A 50 Pa PRESSURE DIFFERENTIAL

BOTTOM VIEW

SECTION A-A



cUL FC2009c.011715

1. WOOD FLOOR/CEILING ASSEMBLY (UL/cUL CLASSIFIED L500 SERIES) (1-HR. FIRE-RATING).
2. LUMBER OR PLYWOOD SUBFLOOR WITH FINISH FLOOR OF LUMBER, PLYWOOD, OR FLOOR TOPPING MIXTURE.
3. MAXIMUM 1-1/2" NOMINAL DIAMETER PVC OR ABS PLASTIC PIPE (SCHEDULE 40) AND DRAIN FITTINGS CEMENTED TOGETHER WITH PVC OR ABS BATHTUB WASTE/OVERFLOW FITTINGS.
4. 3/4" THICK PLYWOOD PATCH SIZED TO OVERLAP MINIMUM 2" BEYOND EACH EDGE OF RECTANGULAR OPENING. TWO PIECES POSITIONED AROUND DRAIN PIPING WITH CUT EDGES TIGHTLY BUTTED, AND SCREW ATTACHED TO UNDERSIDE OF SUBFLOOR WITH 1-1/4" LONG STEEL SCREWS (SPACED MAXIMUM 6" C/C) (SEE NOTE NO. 3 BELOW).
5. MINIMUM 5/8" DEPTH HILTI FS-ONE MAX OR FS-ONE INTUMESCENT FIRESTOP SEALANT OR CP 606 FLEXIBLE FIRESTOP SEALANT.
6. MINIMUM 1/2" BEAD HILTI FS-ONE MAX OR FS-ONE INTUMESCENT FIRESTOP SEALANT OR CP 606 FLEXIBLE FIRESTOP SEALANT APPLIED AT POINT OF CONTACT.

NOTES : 1. MAXIMUM SIZE OF OPENING = 12" x 8".
 2. ANNULAR SPACE BETWEEN DRAIN PIPING AND PATCH = MINIMUM 0", MAXIMUM 1".
 3. AS AN ALTERNATE TO PLYWOOD, 5/8" THICK GYPSUM WALL BOARD MAY BE USED.



HILTI, Inc.
 Tulsa, Oklahoma USA (800) 879-8000

Sheet	1 of 1
Scale	1/8" = 1"
Date	Jan. 17, 2015

Drawing No.
cUL
FC2009c