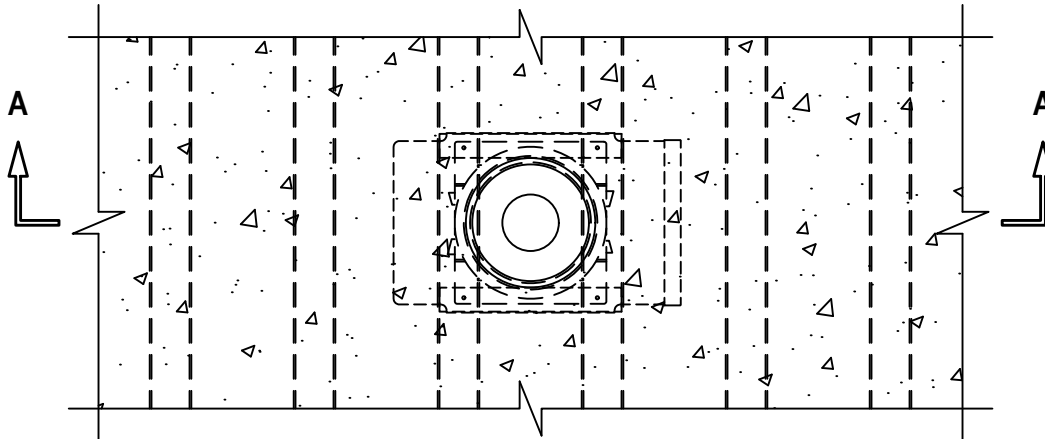


CABLE BUNDLE THROUGH CONCRETE FLOOR OVER METAL DECKING ASSEMBLY

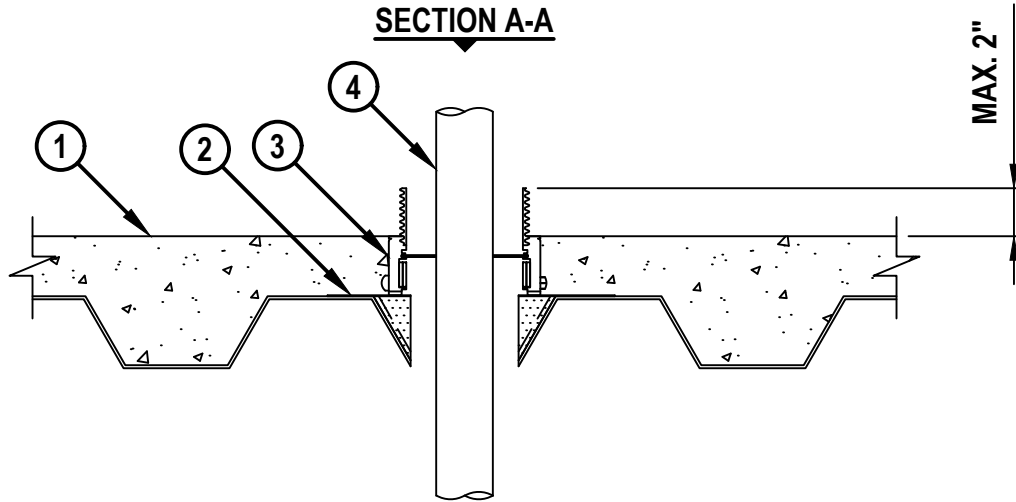
F-RATING = 3-HR.
 FT-RATING = 0-HR. OR 1/2-HR.
 FH-RATING = 0-HR. OR 3-HR.
 FTH-RATING = 0-HR. OR 1/2-HR.

cUL FA3074c.111319

TOP VIEW



SECTION A-A



1. LIGHTWEIGHT OR NORMAL WEIGHT CONCRETE FLOOR ASSEMBLY (MINIMUM 4-1/2" THICK) OVER METAL DECKING (UL/cUL CLASSIFIED D900 SERIES) WITH 2" OR 3" FLUTED DECKS (2-HR. FIRE-RATING).
2. HILTI CFS-CID MD PLT [W2" OR W3"] METAL DECK PLATFORM SECURED TO DECK WITH ONE FASTENER IN EACH CORNER.
3. HILTI CFS-CID MD [M, P, OR PX] [2", 3", OR 4"]/[2.5"/4"] FIRESTOP CAST-IN DEVICE FOR METAL DECK SECURED TO HILTI CFS-CID MD PLT METAL DECK PLATFORM WITH SCREWS.
4. NOMINAL 4/C 500 KCMIL ALUMINUM OR COPPER CONDUCTOR PVC JACKETED ALUMINUM OR STEEL CLAD TEK CABLE.

NOTE : FT, FH, AND FTH-RATINGS ARE 0-HR. WHEN ALUMINUM CONDUCTOR CABLE IS USED.



HILTI, Inc.
 Plano, Texas USA (800) 879-8000

| | |
|-------|---------------|
| Sheet | 1 of 1 |
| Scale | 1/8" = 1" |
| Date | Nov. 13, 2019 |

Drawing No.
cUL
FA3074c