

PLASTIC PIPE THROUGH CONCRETE FLOOR OVER METAL DECKING

F AND FT-RATINGS = 2-HR.

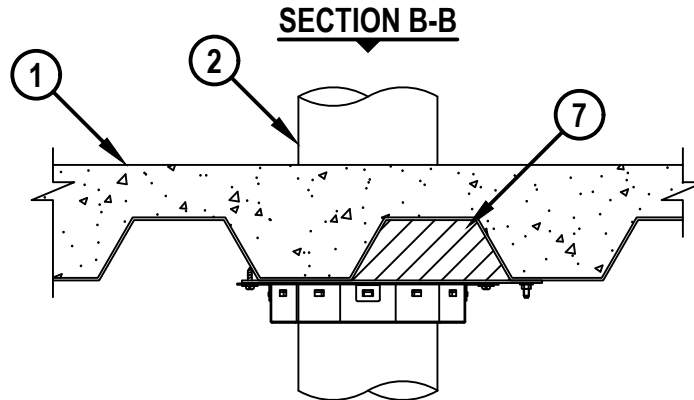
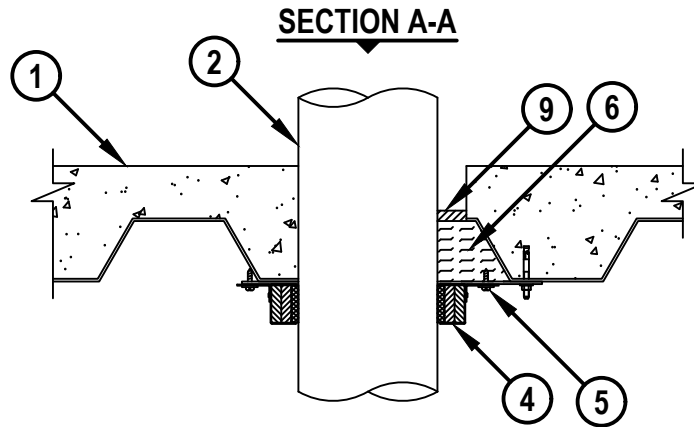
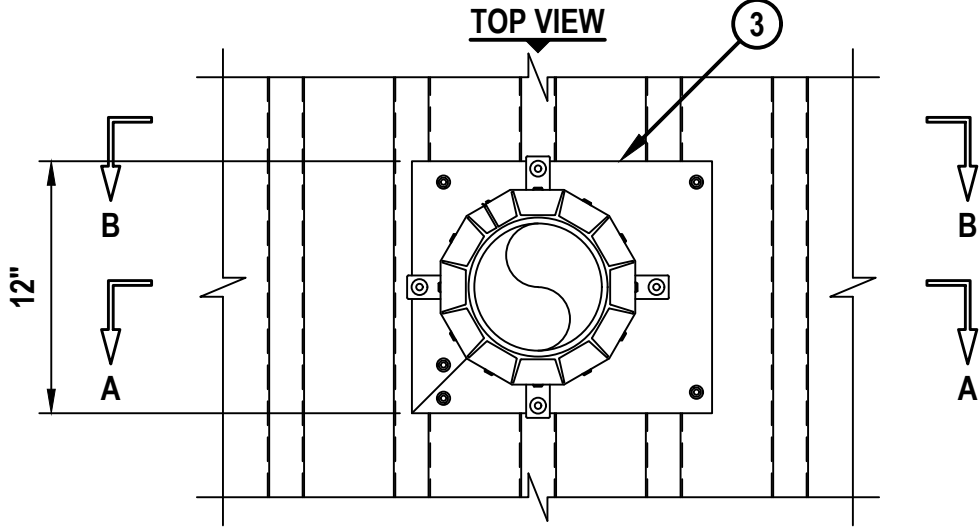
FH AND FTH-RATINGS = 0-HR.

L-RATING AT AMBIENT = LESS THAN 1 CFM / SQ FT

L-RATING AT 400° F = LESS THAN 1 CFM / SQ FT

NOTE: TESTED WITH A 50 Pa PRESSURE DIFFERENTIAL

cUL FA2025h.040423



HILTI, Inc.
Plano, Texas USA (800) 879-8000

Sheet	1 of 2
Scale	7/64" = 1"
Date	Apr. 04, 2023

Drawing No.
cUL
FA2025h

PLASTIC PIPE THROUGH CONCRETE FLOOR OVER METAL DECKING

F AND FT-RATINGS = 2-HR.

FH AND FTH-RATINGS = 0-HR.

L-RATING AT AMBIENT = LESS THAN 1 CFM / SQ FT

L-RATING AT 400° F = LESS THAN 1 CFM / SQ FT

NOTE: TESTED WITH A 50 Pa PRESSURE DIFFERENTIAL

cUL FA2025h.040423

1. NORMAL WEIGHT CONCRETE FLOOR (MINIMUM 2-1/2" THICK) OVER METAL DECKING (2-HR. FIRE-RATING).
2. PENETRATING ITEM TO BE ANY OF THE FOLLOWING (ALSO SEE NOTE NO. 3 BELOW) :
 - A. MAXIMUM 6" NOMINAL DIAMETER PVC PLASTIC PIPE (CELLULAR OR SOLID CORE).
 - B. MAXIMUM 6" NOMINAL DIAMETER ABS PLASTIC PIPE (CELLULAR OR SOLID CORE).
 - C. MAXIMUM 6" NOMINAL DIAMETER FRPP PLASTIC PIPE.
 - D. MAXIMUM 6" NOMINAL DIAMETER CPVC PLASTIC PIPE (SDR 11 OR SDR 13.5) (CLOSED PIPING SYSTEM ONLY).
 - E. MAXIMUM 6" NOMINAL DIAMETER AQUARISE CPVC PLASTIC PIPE (SDR 11) MANUFACTURED BY IPEX, INC. (CLOSED PIPING SYSTEM ONLY).
 - F. MAXIMUM 6" NOMINAL DIAMETER XFR 15/50 PVC PIPE (CELLULAR OR SOLID CORE).
 - G. MAXIMUM 4" NOMINAL DIAMETER RIGID NONMETALLIC CONDUIT (SCH 40 PVC).
3. SHEET METAL PLATE (MIN. 18 GA.) FASTENED TO VALLEYS OF DECKING WITH 1/4" x 1-1/4" LONG STEEL EXPANSION BOLTS WITH STEEL NUTS AND MINIMUM 3/4" STEEL WASHERS OR 0.145 x 1-1/4" LONG POWDER ACTUATED FASTENERS WITH 1-7/16" DIAMETER STEEL WASHER, HILTI 1/4" x 1-1/4" LONG KWIK-CON II CONCRETE SCREW ANCHOR, 1/4" x 1-3/4" KWIK-BOLT 3 STEEL EXPANSION ANCHOR, OR HILTI X-DNI 27 P8 S15 POWDER ACTUATED FASTENER WITH INTEGRATED WASHER AT EACH CORNER, AT EACH PLATE/VALLEY INTERSECTION AND AT BOTH SIDES OF SLIT MADE TO PERMIT INSTALLATION AROUND PIPE. FASTENERS NOT TO EXCEED 10" SPACING.
4. HILTI CP 643N FIRESTOP COLLAR WITH FASTENING HOOKS.
5. EACH FASTENING HOOK SECURED TO VALLEY OF DECKING WITH 1/4" x 1-1/4" LONG STEEL EXPANSION BOLTS WITH STEEL NUTS AND MINIMUM 3/4" STEEL WASHERS. WHERE ANCHOR HOOKS ARE BENEATH THE CREST OF DECKING, SECURE FASTENING HOOKS WITH NO. 10 x 1/2" LONG SELF-DRILLING SELF TAPPING STEEL SCREWS AND WASHERS.
6. MINERAL WOOL (MIN. 4 PCF DENSITY) TIGHTLY PACKED TO FILL METAL DECK FLUTES ABOVE METAL PLATE AND RECESSED TO ACCOMMODATE SEALANT.
7. MINIMUM 1/4" DEPTH HILTI FS-ONE MAX INTUMESCENT FIRESTOP SEALANT TO COMPLETELY COVER MINERAL WOOL WITHIN FLUTES.
8. [NOT SHOWN] MINIMUM 1/2" BEAD HILTI FS-ONE MAX INTUMESCENT FIRESTOP SEALANT APPLIED AROUND PERIMETER OF METAL PLATE.
9. MINIMUM 1/2" DEPTH HILTI FS-ONE MAX INTUMESCENT FIRESTOP SEALANT.

- NOTES :**
1. MAXIMUM DIAMETER OF OPENING = 8".
 2. ANNULAR SPACE = MINIMUM 0", MAXIMUM 1-1/2".
 3. CLOSED OR VENTED PIPING SYSTEM (PVC, ABS, FRPP, AND XFR-PVC = SCH 40; CPVC = SDR 11 OR 13.5).
 4. SHEET METAL PLATE TO EXTEND MINIMUM 1-1/2" ON THE FLOOR UNIT VALLEY ON EACH END.



HILTI, Inc.
Plano, Texas USA (800) 879-8000

Sheet	2 of 2
Scale	-
Date	Apr. 04, 2023

Drawing No.
cUL
FA2025h