



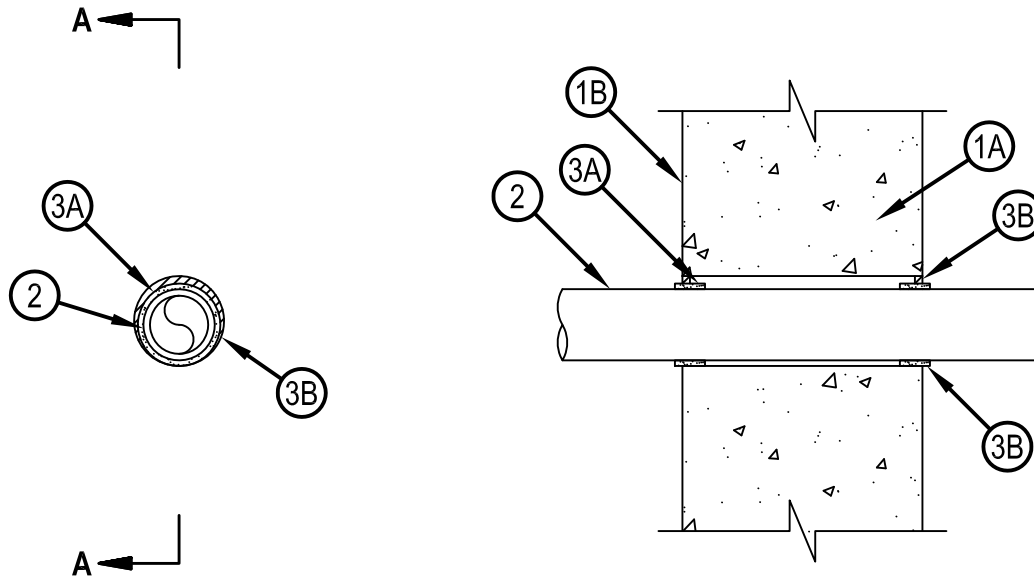
Classified by  
Underwriters Laboratories, Inc.  
to CAN/ULC-S115

## System No. W-J-2246

F Rating - 2 Hr  
FT Rating - 1-1/2 Hr  
FH Rating - 0 Hr  
FTH Rating - 0 Hr



WJ 2246



**SECTION A-A**

System tested with a pressure differential of 50 Pa between the exposed and the unexposed surfaces with the higher pressure on the exposed side.

1. Wall Assembly — Min 152 mm (6 in.) thick reinforced lightweight or normal weight (1600-2400 kg/m<sup>3</sup> or 100-150 pcf) concrete. Wall may also be constructed of any UL Classified Concrete Blocks\*. Max diam of opening is 76 mm (3 in.).  
See Concrete Blocks (CAZT) category in the Fire Resistance Directory for names of manufacturers.
2. Through Penetrant — One nominal 51 mm (2 in.) diam (or smaller) Schedule 80 polypropylene pipe installed either concentrically or eccentrically within the firestop system. The annular space between the pipe and the periphery of the opening shall be a min 5 mm (3/16 in.) to a max 8 mm (5/16 in.). Pipe to be rigidly supported on both sides of wall assembly.
3. Firestop System — The firestop system shall consist of the following:
  - A. Fill, Void or Cavity Material\* — Wrap Strip — One layer of nom 5 mm (3/16 in.) thick intumescent wrap strip continuously wrapped around the pipe with ends butted and held in place with integrated tape. Wrap strip slid into annular space such that the visible ends extend a nom 6 mm (1/4 in.) beyond each surface of the wall. Wrap strips are installed on each surface of the wall  
HILTI CONSTRUCTION CHEMICALS, DIV OF HILTI INC — Hilti CP 648S/2", CP648S/1.5" Wrap Strip
  - B. Fill, Void or Cavity Material\* — Sealant — Min 6 mm (1/4 in.) thickness of fill material applied within annulus, flush with both surfaces of wall assembly. Additional 3 mm (1/4 in.) bead of fill material applied at wrap strip/pipe interface on both sides of wall.  
HILTI CONSTRUCTION CHEMICALS, DIV OF HILTI INC — FS-ONE Sealant or FS-ONE MAX Intumescent Sealant.

\* Indicates such products shall bear the UL or cUL Certification Mark for jurisdictions employing the UL or cUL Certification (such as Canada), respectively.



**Hilti Firestop Systems**

Reproduced by HILTI, Inc. Courtesy of  
Underwriters Laboratories, Inc.  
January 22, 2015