



The following excerpt are pages from the [North American Product Technical Guide Volume 3: Modular Support Systems Technical Guide, Edition 1](#) .

Please refer to the publication in its entirety for complete details on this product including load values, approvals/listings, general suitability, finishes, quality, etc.

To consult directly with a team member regarding our modular support system products, contact Hilti's team of technical support specialists between the hours of 7:00am – 6:00pm CST.

US: 877-749-6337 or HNATechnicalServices@hilti.com

CA: 1-800-363-4458, ext. 6 or CATechnicalServices@hilti.com

3.0 MODULAR SUPPORT SYSTEM

3.2.1 MT CONNECTION MECHANISMS

MT-TL 3/8" AND 1/2"

Description

Twist lock – for threaded rod to channel connection. MT-TL 3/8 and MT-TL 1/2 are valid for media fixation only and are not compatible with MT connectors.

Approvals / Listings

City of Los Angeles	City of Los Angeles 2020 LABC LARR 26181
---------------------	---

European Technical Assessment	ETA-21/1017
-------------------------------	-------------

Corrosion Protection

Electro-Galvanized (EG)

MT-TL 3/8

MT-TL 1/2

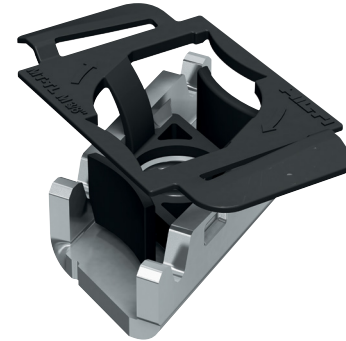
Hot-Dipped Galvanized (HDG)

MT-TL 3/8 OC

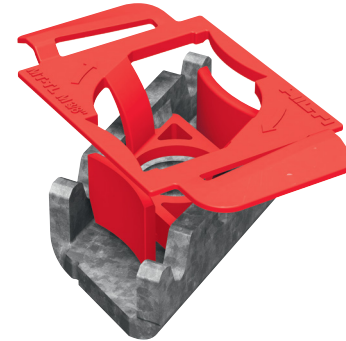
MT-TL 1/2 OC

Ordering Information

Description	Weight Per Piece lbs (kg)	Quantity Piece(s)	Item No.
MT-TL 3/8	0.07 (0.03)	50	2273636
MT-TL 3/8 OC	0.07 (0.03)	50	2273637
MT-TL 1/2	0.07 (0.03)	30	2273638
MT-TL 1/2 OC	0.07 (0.03)	30	2273639



MT-TL 3/8
MT-TL 1/2



MT-TL 3/8 OC
MT-TL 1/2 OC

Figure 3 - MT-TL with Threaded Rod Connection

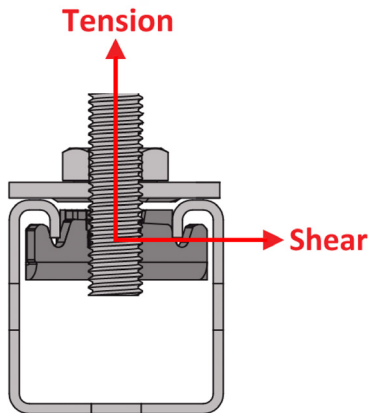


Table 63 - Allowable Strength Design (ASD) Load Data^{1,2,3,4}

Description	Tension lb (kN)	Shear lb (kN)
MT-TL 3/8 OC	1,125 (5.00)	1,010 (4.50)
MT-TL 1/2 OC	1,125 (5.00)	1,010 (4.50)

1. Minimum safety factor, Ω , for tabulated values is 2.65.
2. Multiply tabulated values by 1.5 to obtain minimum Load and Resistance Factor Design (LRFD) values.
3. Loads are for twist-lock mechanism only. Design professional is responsible for checking threaded rod strength.
4. See Figure 3.

Table 64 - Limit State Design (LSD) Load Data^{1,2,3}



Description	Tension lb (kN)	Shear lb (kN)
MT-TL 3/8 OC	1,570 (6.96)	1,410 (6.26)
MT-TL 1/2 OC	1,570 (6.96)	1,410 (6.26)

1. Maximum resistance factor, Φ , for tabulated values is 0.55.
2. Loads are for twist-lock mechanism only. Design professional is responsible for checking threaded rod strength.
3. See Figure 3.