



The following excerpt are pages from the [North American Product Technical Guide Volume 3: Modular Support Systems Technical Guide, Edition 1](#) .

Please refer to the publication in its entirety for complete details on this product including load values, approvals/listings, general suitability, finishes, quality, etc.

To consult directly with a team member regarding our modular support system products, contact Hilti's team of technical support specialists between the hours of 7:00am – 6:00pm CST.

US: 877-749-6337 or HNATechnicalServices@hilti.com

CA: 1-800-363-4458, ext. 6 or CATechnicalServices@hilti.com

3.0 MODULAR SUPPORT SYSTEM

3.2.9 MT BEAM CLAMPS

MT-BC-GXL T OC

Description

Girder beam clamp – MT-90 and MT-100.

Corrosion Protection

Hot-Dipped Galvanized (HDG)

MT-BC-GXL T OC

Ordering Information

Description	Weight Per Piece lbs (kg)	Quantity Piece(s)	Item No.
MT-BC-GXL T OC	4.67 (2.12)	10	2273589

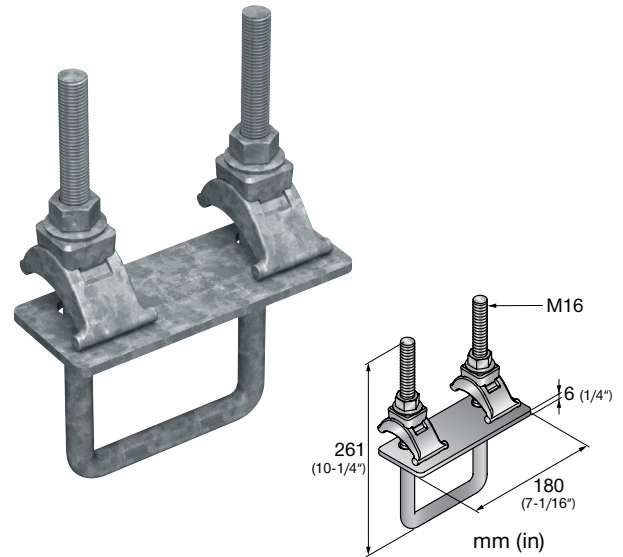
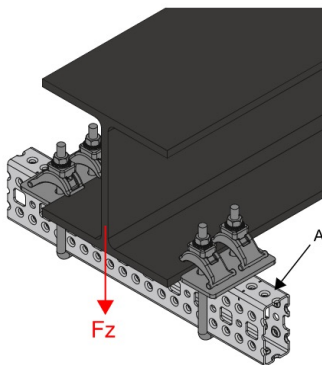


Figure 101 - MT Girder-to-Steel



A. MT-90/100

Table 251 - Allowable Strength Design (ASD) Load Data^{1,2,3,4,5}

F_z lb (kN)
6,500 (28.92)

1. Safety factor, Ω , for tabulated values is 2.0.
2. Tabulated values represent the total allowable load on a pair of beam clamps. The load resisted by a single beam clamp must not exceed 3,250 lbs (14.46 kN).
3. Multiply tabulated values by 1.5 to obtain minimum Load and Resistance Factor Design (LRFD) values.
4. The design professional must account for moment decoupling when the applied loads do not occur between the pair of beam clamps.
5. See Figure 101.

Table 252 - Limit State Design (LSD) Load Data^{1,2,3,4}



F_z lb (kN)
9,745 (43.37)

1. Resistance factor, ϕ , for tabulated values is 0.75.
2. Tabulated values represent the total factored design load on a pair of beam clamps. The load resisted by a single beam clamp must not exceed 4,870 lbs (21.68 kN).
3. The design professional must account for moment decoupling when the applied loads do not occur between the pair of beam clamps.
4. See Figure 101.