



The following excerpt are pages from the [North American Product Technical Guide Volume 3: Modular Support Systems Technical Guide, Edition 1](#) .

Please refer to the publication in its entirety for complete details on this product including load values, approvals/listings, general suitability, finishes, quality, etc.

To consult directly with a team member regarding our modular support system products, contact Hilti's team of technical support specialists between the hours of 7:00am – 6:00pm CST.

US: 877-749-6337 or HNATechnicalServices@hilti.com

CA: 1-800-363-4458, ext. 6 or CATechnicalServices@hilti.com

3.0 MODULAR SUPPORT SYSTEM

3.2.3 MT SYSTEM CONNECTORS

MT-C-GLP T OC

Description

Gusset plate for T-shaped connections with MT-80, MT-90 or MT-100 girders.

Material Specifications

Standard ¹	Grade ¹	F _y , ksi (MPa)	F _u , ksi (MPa)
GB/T 1591	Q355 B	51.49 (355)	68.17 (470)

1. Mechanical properties of GB/T 1591 Grade Q355 B meet or exceed the mechanical properties of ASTM A1011 SS Grade 50.

Corrosion Protection

Hot-Dipped Galvanized (HDG)

MT-C-GLP T OC

Ordering Information

Description	Weight Per Piece lbs (kg)	Quantity Piece(s)	Item No.
MT-C-GLP T OC	4.03 (1.83)	8	2272075

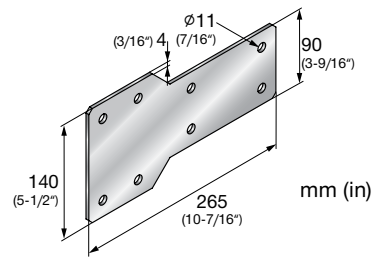
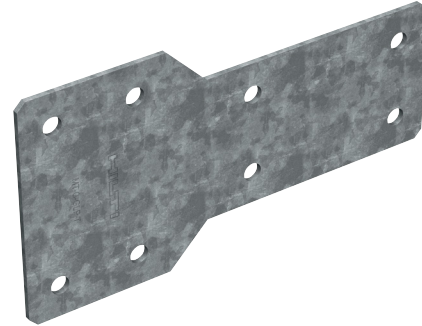


Figure 50 - MT Girder Connection

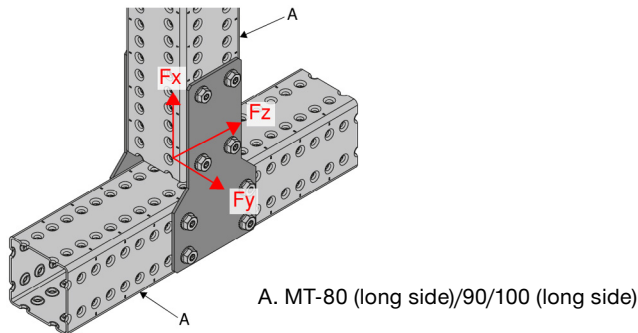


Table 157 - Allowable Strength Design (ASD) Load Data^{1,2,3,4}

F _x lb (kN)	F _y lb (kN)	F _z lb (kN)	M _y ft lb (kN m)	M _z ft lb (kN m)
19,240 (85.60)	1,870 (8.33)	5,545 (24.68)	2,385 (3.24)	795 (1.08)

1. Minimum safety factor, Ω , for tabulated values is 2.05.
2. Multiply tabulated values by 1.5 to obtain minimum Load and Resistance Factor Design (LRFD) values.
3. Tabulated values are based on plates being installed in pairs.
4. See Figure 50.

Table 158 - Limit State Design (LSD) Load Data^{1,2,3}

F _x lb (kN)	F _y lb (kN)	F _z lb (kN)	M _y ft lb (kN m)	M _z ft lb (kN m)
26,480 (117.80)	2,810 (12.52)	7,325 (32.60)	3,385 (4.59)	1,200 (1.63)

1. Maximum resistance factor, ϕ , for tabulated values is 0.7.
2. Tabulated values are based on plates being installed in pairs.
3. See Figure 50.

Figure 51 - MT Girder Connection

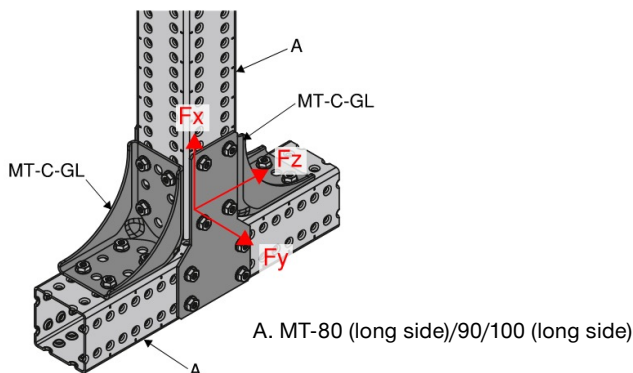


Table 159 - Allowable Strength Design (ASD) Load Data^{1,2,3,4}

F _x lb (kN)	F _y lb (kN)	F _z lb (kN)	M _y ft lb (kN m)	M _z ft lb (kN m)
15,560 (69.22)	4,045 (18.01)	9,450 (42.04)	2,830 (3.84)	2,245 (3.05)

1. Minimum safety factor, Ω , for tabulated values is 2.05.
2. Multiply tabulated values by 1.5 to obtain minimum Load and Resistance Factor Design (LRFD) values.
3. Tabulated values are based on plates being installed in pairs.
4. See Figure 51.

Table 160 - Limit State Design (LSD) Load Data^{1,2,3}

F _x lb (kN)	F _y lb (kN)	F _z lb (kN)	M _y ft lb (kN m)	M _z ft lb (kN m)
23,385 (104.04)	6,085 (27.07)	14,010 (62.34)	4,015 (5.45)	2,920 (3.96)

1. Maximum resistance factor, ϕ , for tabulated values is 0.7.
2. Tabulated values are based on plates being installed in pairs.
3. See Figure 51.