



The following excerpt are pages from the [North American Product Technical Guide Volume 3: Modular Support Systems Technical Guide, Edition 1](#) .

Please refer to the publication in its entirety for complete details on this product including load values, approvals/listings, general suitability, finishes, quality, etc.

To consult directly with a team member regarding our modular support system products, contact Hilti's team of technical support specialists between the hours of 7:00am – 6:00pm CST.

US: 877-749-6337 or HNATechnicalServices@hilti.com

CA: 1-800-363-4458, ext. 6 or CATechnicalServices@hilti.com

3.0 MODULAR SUPPORT SYSTEM

3.2.3 MT SYSTEM CONNECTORS

MT-C-L1

Description

2-hole angle connector for channel.

Material Specifications

Standard ¹	Grade ¹	F _y , ksi (MPa)	F _u , ksi (MPa)
GB/T 1591	Q355 B	51.49 (355)	68.17 (470)

1. Mechanical properties of GB/T 1591 Grade Q355 B meet or exceed the mechanical properties of ASTM A1011 SS Grade 50.

Corrosion Protection

Electro-Galvanized (EG)

MT-C-L1

Hot-Dipped Galvanized (HDG)

MT-C-L1 OC

Ordering Information

Description	Weight Per Piece lbs (kg)	Quantity Piece(s)	Item No.
MT-C-L1	0.44 (0.20)	20	2271514
MT-C-L1 OC	0.44 (0.20)	20	2271516

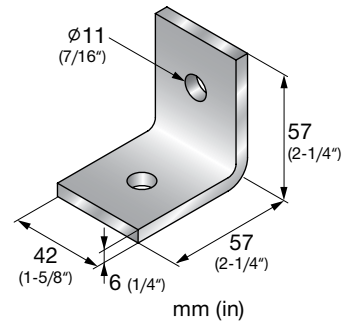
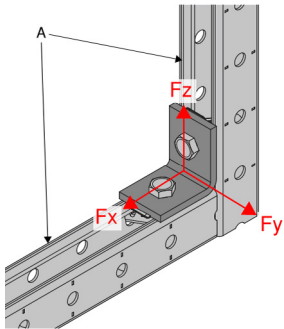


Figure 27 - MT Channel Connection



A. MT-30/50/60/40D

Table 111 - Allowable Strength Design (ASD) Load Data^{1,2,3}

F _x lb (kN)	F _z lb (kN)
1,005 (4.48)	1,005 (4.48)

1. Minimum safety factor, Ω , for tabulated values is 2.65.
2. Multiply tabulated values by 1.5 to obtain minimum Load and Resistance Factor Design (LRFD) values.
3. See Figure 27.

Table 112 - Limit State Design (LSD) Load Data^{1,2}

F _x lb (kN)	F _z lb (kN)
1,295 (5.78)	1,295 (5.78)

1. Maximum resistance factor, Φ , for tabulated values is 0.5.
2. See Figure 27.

