



The following excerpt are pages from the [North American Product Technical Guide Volume 3: Modular Support Systems Technical Guide, Edition 1](#) .

Please refer to the publication in its entirety for complete details on this product including load values, approvals/listings, general suitability, finishes, quality, etc.

To consult directly with a team member regarding our modular support system products, contact Hilti's team of technical support specialists between the hours of 7:00am – 6:00pm CST.

US: 877-749-6337 or [HNATechnicalServices@hilti.com](mailto:HNATechnicalServices@hilti.com)

CA: 1-800-363-4458, ext. 6 or [CATechnicalServices@hilti.com](mailto:CATechnicalServices@hilti.com)

## 3.0 MODULAR SUPPORT SYSTEM

### 3.2.3 MT SYSTEM CONNECTORS

#### MT-C-T 3D/3

#### Description

Three sided 3D connector for T-shape channel connections.

#### Material Specifications

Standard <sup>1</sup>	Grade <sup>1</sup>	F <sub>y</sub> , ksi (MPa)	F <sub>u</sub> , ksi (MPa)
GB/T 1591	Q355 B	51.49 (355)	68.17 (470)

1. Mechanical properties of GB/T 1591 Grade Q355 B meet or exceed the mechanical properties of ASTM A1011 SS Grade 50.

#### Corrosion Protection

##### Electro-Galvanized (EG)

MT-C-T 3D/3

##### Hot-Dipped Galvanized (HDG)

MT-C-T 3D/3 OC

#### Ordering Information

Description	Weight Per Piece lbs (kg)	Quantity Piece(s)	Item No.
MT-C-T 3D/3	1.39 (0.63)	10	2272060
MT-C-T 3D/3 OC	1.39 (0.63)	10	2272061

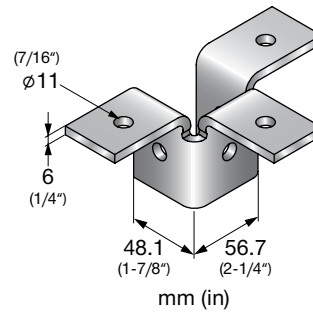
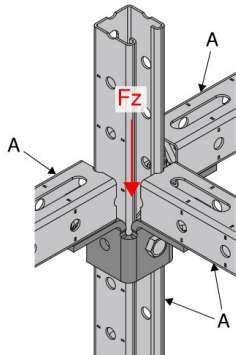


Figure 38 - MT Channel Connection



A. MT-30/50/60/40D

Table 133 - Allowable Strength Design (ASD) Load Data<sup>1,2,3,4</sup>

F <sub>z</sub> lb (kN)
1,010 (4.50)

1. Minimum safety factor,  $\Omega$ , for tabulated values is 2.65.
2. Multiply tabulated values by 1.5 to obtain minimum Load and Resistance Factor Design (LRFD) values.
3. See Figure 38.
4. Tabulated values represent the maximum total allowable load of the connector. The applied load on a single horizontal leg cannot exceed 845 lbs (3.77 kN).

Table 134 - Limit State Design (LSD) Load Data<sup>1,2,3</sup>



F <sub>z</sub> lb (kN)
1,405 (6.26)

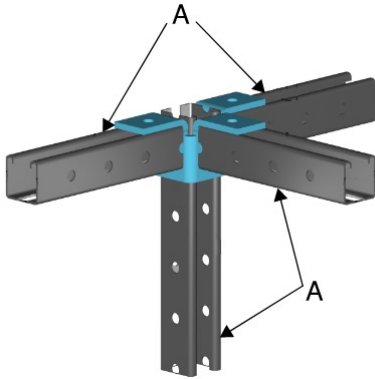
1. Maximum resistance factor,  $\Phi$ , for tabulated values is 0.55.
2. See Figure 38.
3. Tabulated values represent the maximum total factored load of the connector. The applied load on a single horizontal leg cannot exceed 1,200 lbs (5.34 kN).

## 3.0 MODULAR SUPPORT SYSTEM

### 3.2.3 MT SYSTEM CONNECTORS

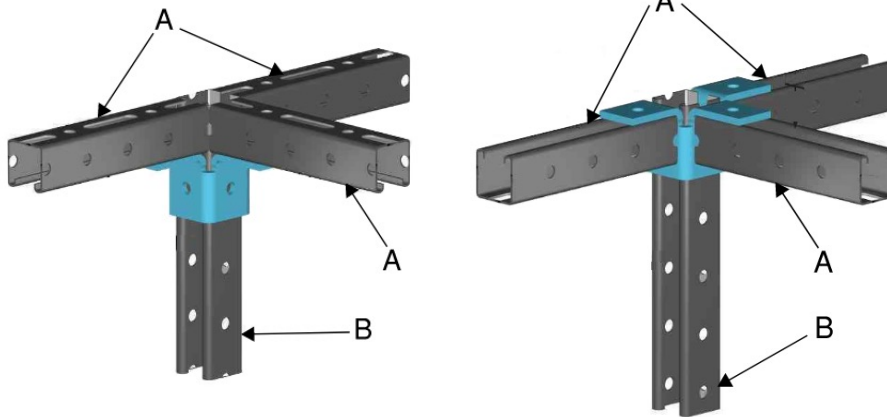
#### Additional Variants

##### Supported Channels Rotated



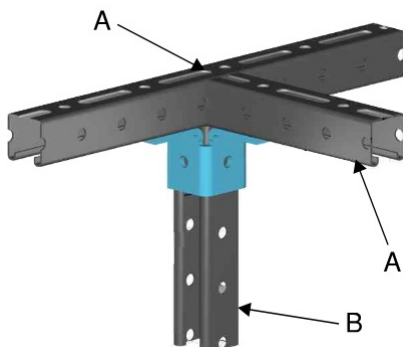
A. MT-30/50/60/40D

##### Supporting Channel Rotated



A. MT-30/50/60/40D  
B. MT-50

##### Supported and Supporting Channels Rotated



A. MT-30/50/60/40D  
B. MT-50

\*Technical data for additional variants shown are available upon request.