



The following excerpt are pages from the [North American Product Technical Guide Volume 3: Modular Support Systems Technical Guide, Edition 1](#) .

Please refer to the publication in its entirety for complete details on this product including load values, approvals/listings, general suitability, finishes, quality, etc.

To consult directly with a team member regarding our modular support system products, contact Hilti's team of technical support specialists between the hours of 7:00am – 6:00pm CST.

US: 877-749-6337 or [HNATechnicalServices@hilti.com](mailto:HNATechnicalServices@hilti.com)

CA: 1-800-363-4458, ext. 6 or [CATechnicalServices@hilti.com](mailto:CATechnicalServices@hilti.com)

## 3.0 MODULAR SUPPORT SYSTEM

### 3.2.11 MT MEDIA FIXATION

#### MT-FA-G M10-3/8" / M12-1/2" / M16-5/8" / M22-7/8" / M24-1"

##### Description

**MT-FA-G M10-3/8"**: U-bolt connector – MT-70/80/90/100 – 3/8" threads

**MT-FA-G M12-1/2"**: U-Bolt connector – MT-70/90/90/100 – 1/2" threads

**MT-FA-G M16-5/8"**: U-Bolt connector – MT-70/80/90/100 – 5/8" threads

**MT-FA-G M22-7/8"**: U-Bolt connector – MT-70/80/90/100 – 7/8" threads

**MT-FA-G M24-1"**: U-Bolt connector – MT-70/80/90/100 – 1" threads

##### Material Specifications

Standard <sup>1</sup>	Grade <sup>1</sup>	F <sub>y</sub> , ksi (MPa)	F <sub>u</sub> , ksi (MPa)
GB/T 700	Q235 B	34.08 (235)	53.66 (370)

1. Mechanical properties of GB/T 700 Grade Q235 B meet or exceed the mechanical properties of ASTM A1011 SS Grade 33.

##### Corrosion Protection

###### Outdoor Coating (HDG)

MT-FA-G M10-3/8 OC

MT-FA-G M12-1/2 OC

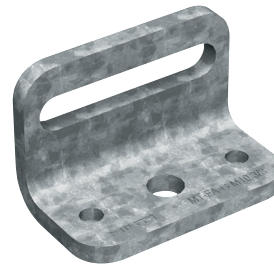
MT-FA-G M16-5/8 OC

MT-FA-G M22-7/8 OC

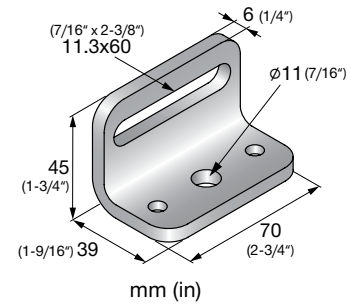
MT-FA-G M24-1 OC

##### Ordering Information

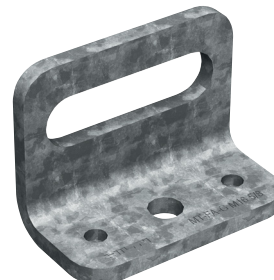
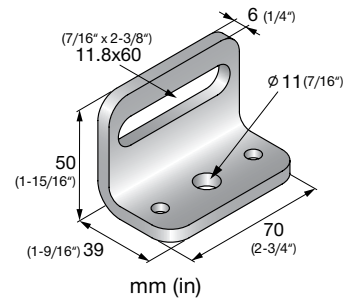
Description	Weight Per Piece lbs (kg)	Quantity Piece(s)	Item No.
MT-FA-G M10-3/8 OC	0.46 (0.21)	10	2273681
MT-FA-G M12-1/2 OC	0.48 (0.22)	10	2273682
MT-FA-G M16-5/8 OC	0.54 (0.24)	10	2273683
MT-FA-G M22-7/8 OC	0.63 (0.29)	10	2273684
MT-FA-G M24-1 OC	0.71 (0.32)	10	2273685



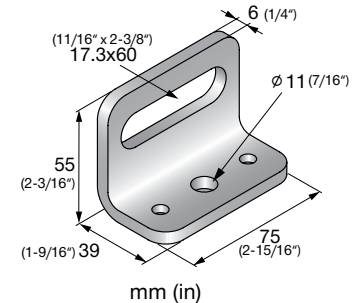
MT-FA-G 3/8 OC



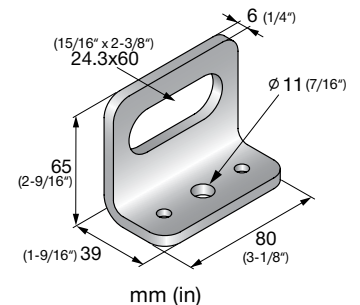
MT-FA-G 1/2 OC



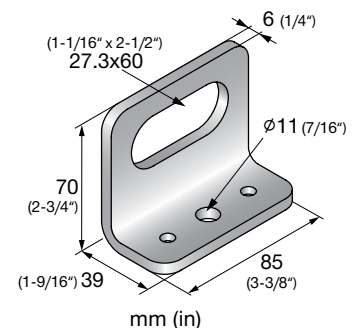
MT-FA-G 5/8 OC



MT-FA-G 7/8 OC



MT-FA-G 1 OC

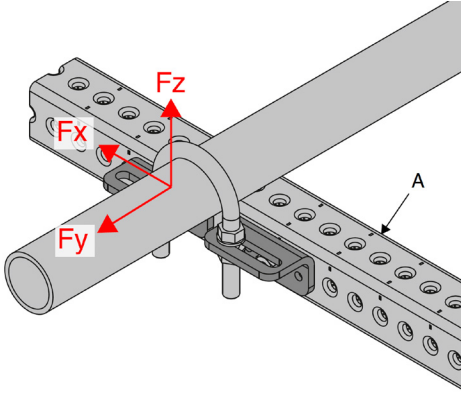


## 3.0 MODULAR SUPPORT SYSTEM

### 3.2.11 MT MEDIA FIXATION

#### MT-FA-G M10-3/8" / M12-1/2" / M16-5/8" / M22-7/8" / M24-1"

Figure 110 - MT Girder Connection



A. MT-70/80/90/100

Table 267 - Allowable Strength Design (ASD) Load Data<sup>1,2,3,4</sup>

$F_x$ lb (kN)	$F_z$ lb (kN)
485 (2.17)	680 (3.03)

1. Minimum safety factor,  $\Omega$ , for tabulated values is 2.0.
2. Multiply tabulated values by 1.5 to obtain minimum Load and Resistance Factor Design (LRFD) values.
3. Tabulated values are for a single connector. Connectors are to be used in pairs.
4. See Figure 110.

Table 268 - Limit State Design (LSD) Load Data<sup>1,2,3</sup>



$F_x$ lb (kN)	$F_z$ lb (kN)
730 (3.26)	1,010 (4.50)

1. Maximum resistance factor,  $\phi$ , for tabulated values is 0.75.
2. Tabulated values are for a single connector. Connectors are to be used in pairs.
3. See Figure 110.