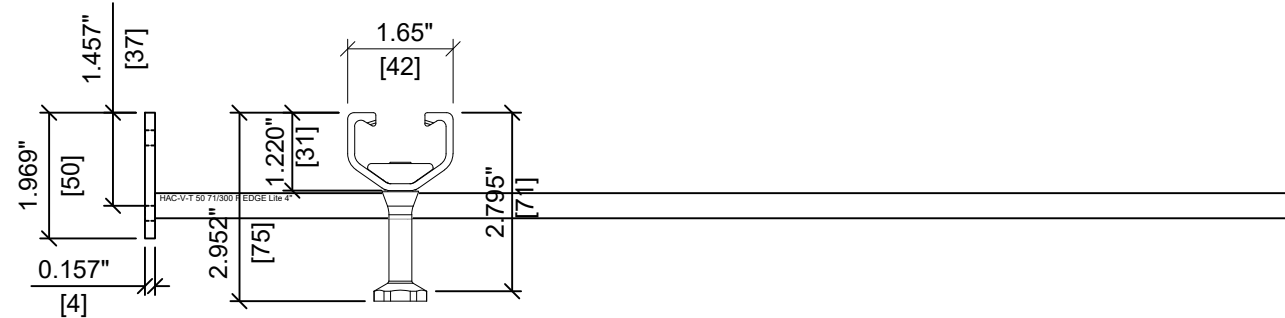
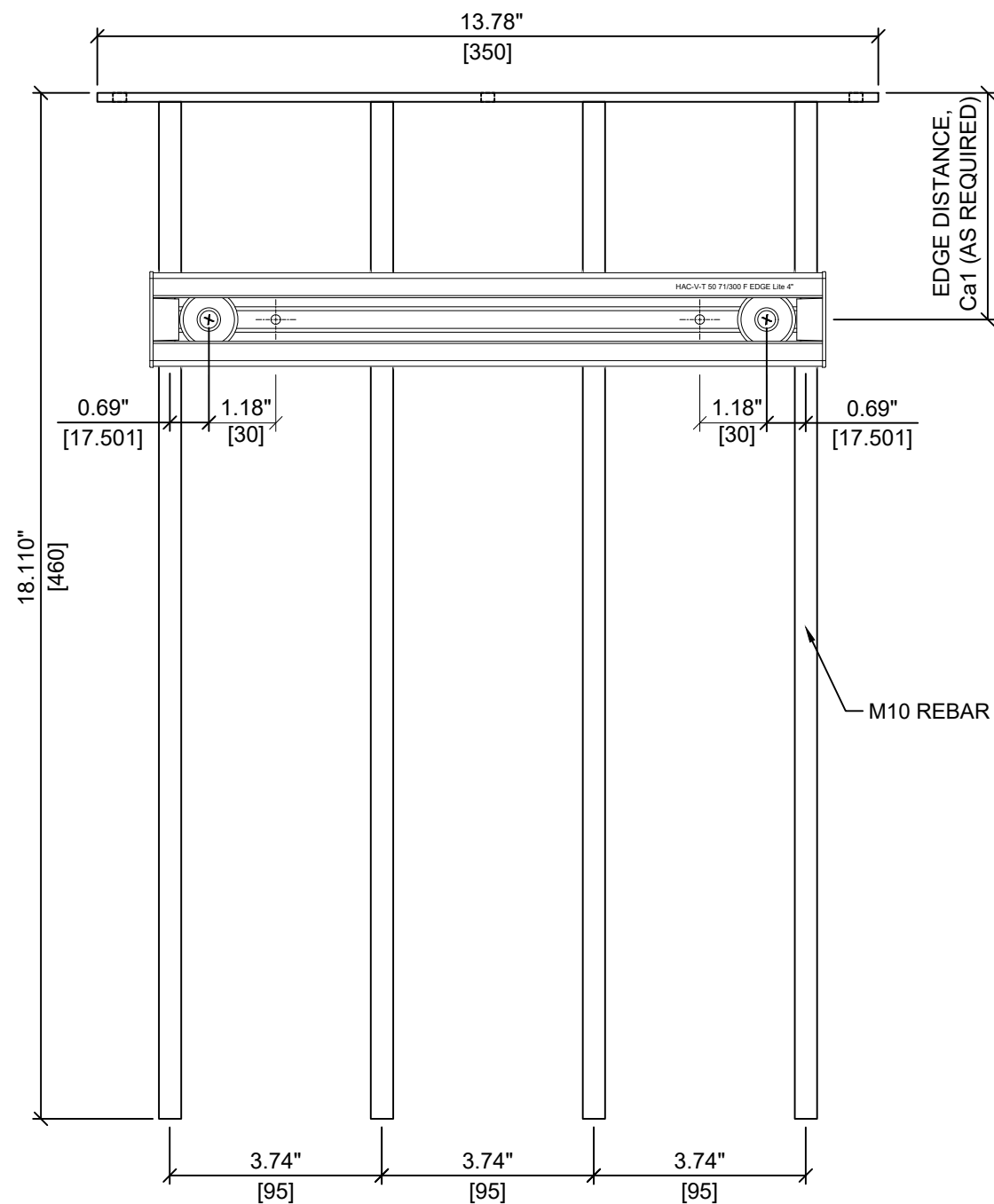


ELEVATION VIEW



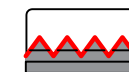
SECTION A-A'



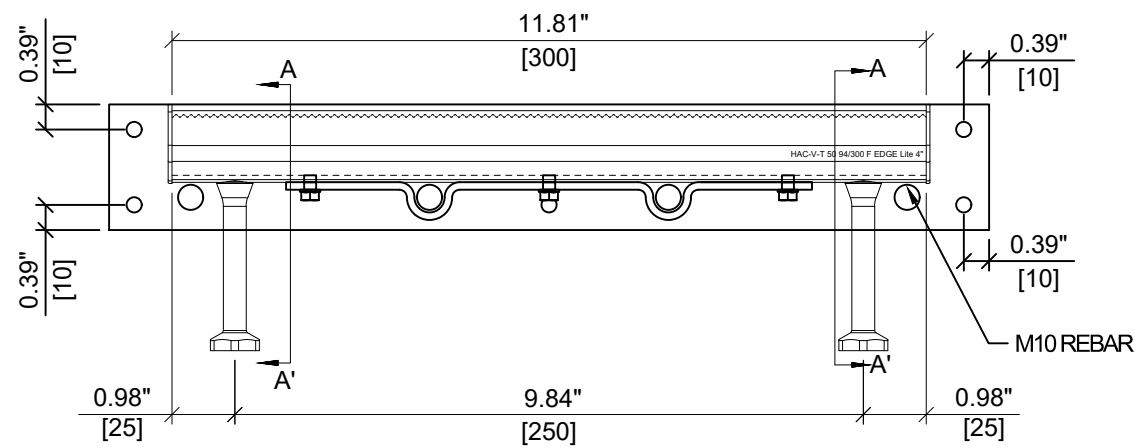
PLAN VIEW



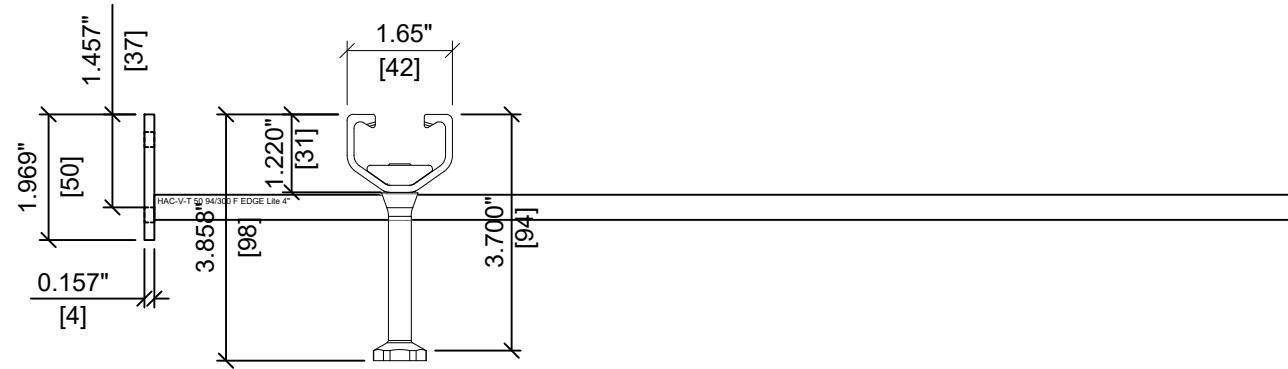
ITEM NUMBER: 2366676	CHANNEL LIP: SERRATED
--------------------------------	---------------------------------



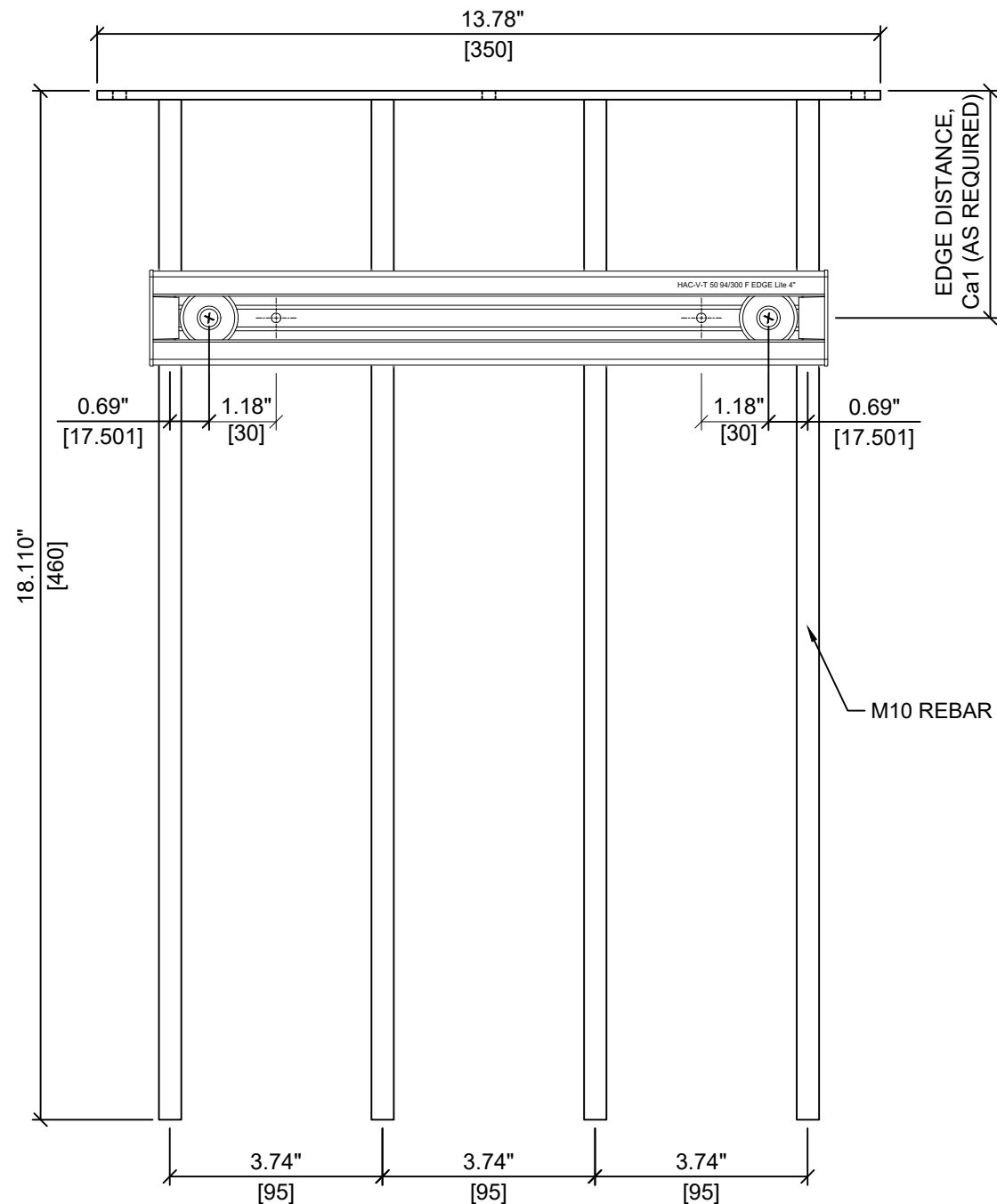
ITEM DESCRIPTION:
Rebar HAC-V-T 50 71/300 F EDGE Lite 4"



ELEVATION VIEW



SECTION A-A'



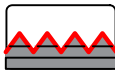
PLAN VIEW

EDGE DISTANCE,
Ca1 (AS REQUIRED)

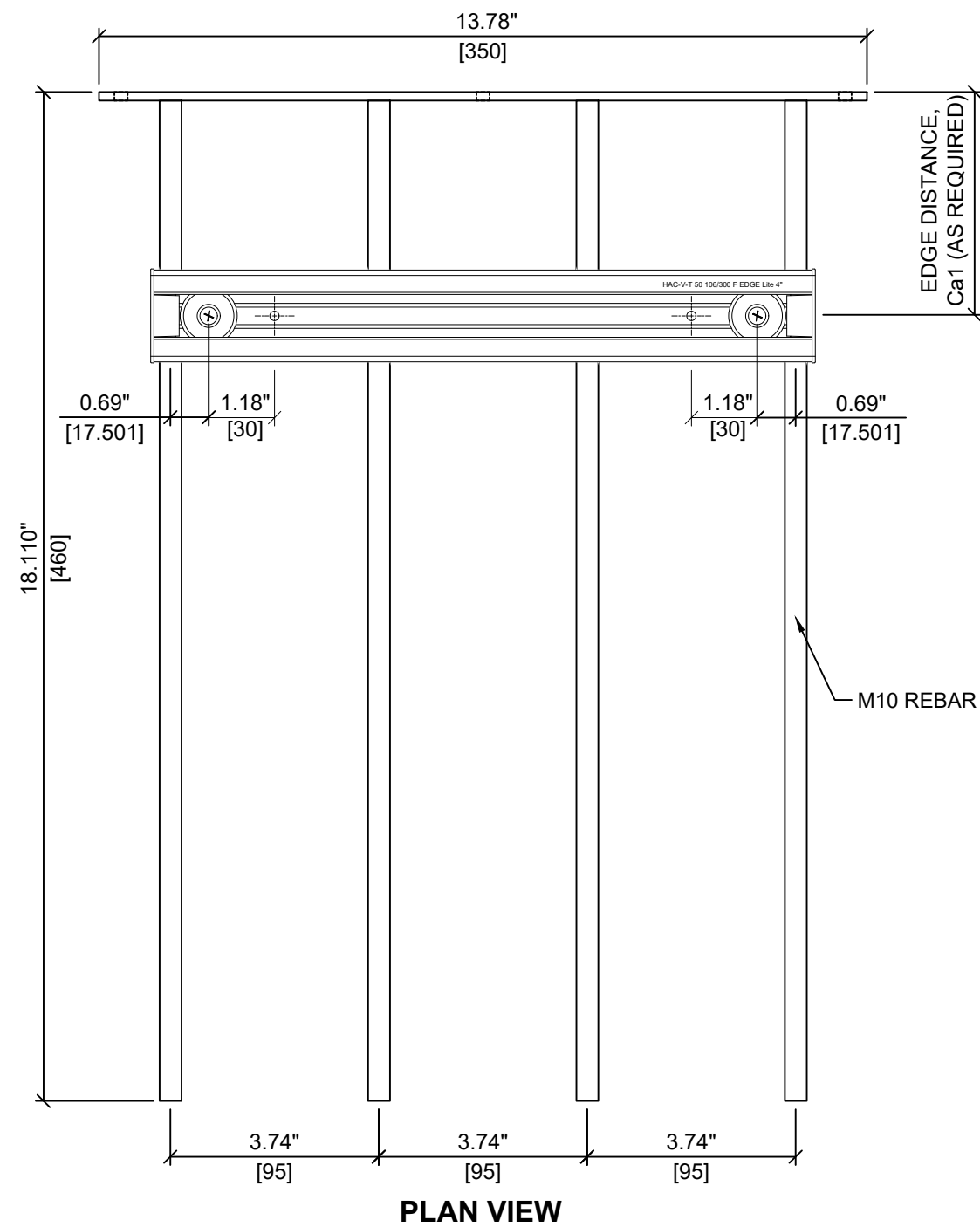
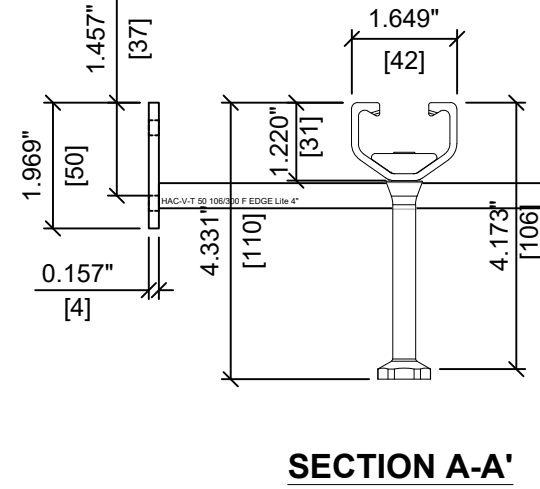
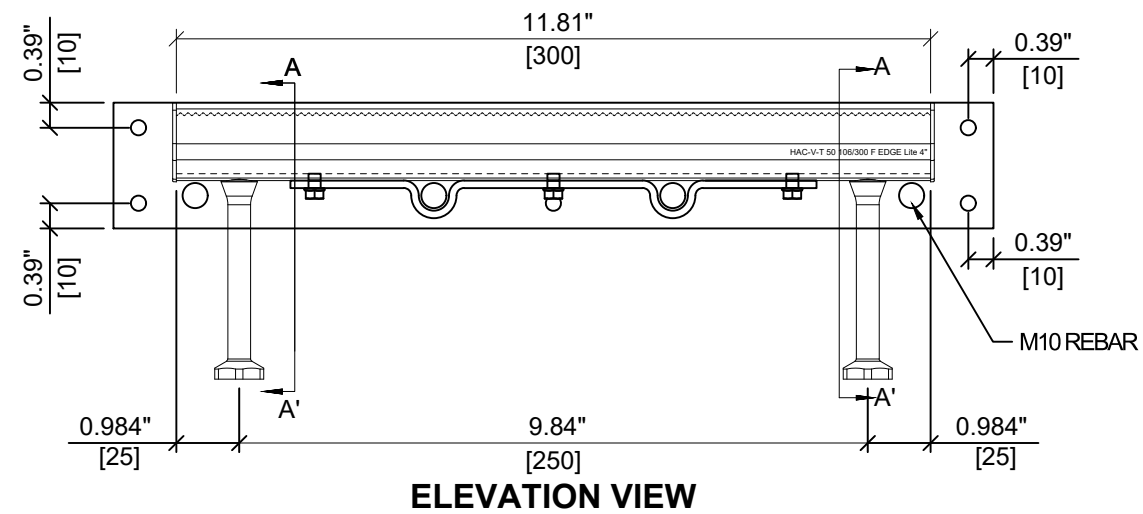
M10 REBAR

HILTI

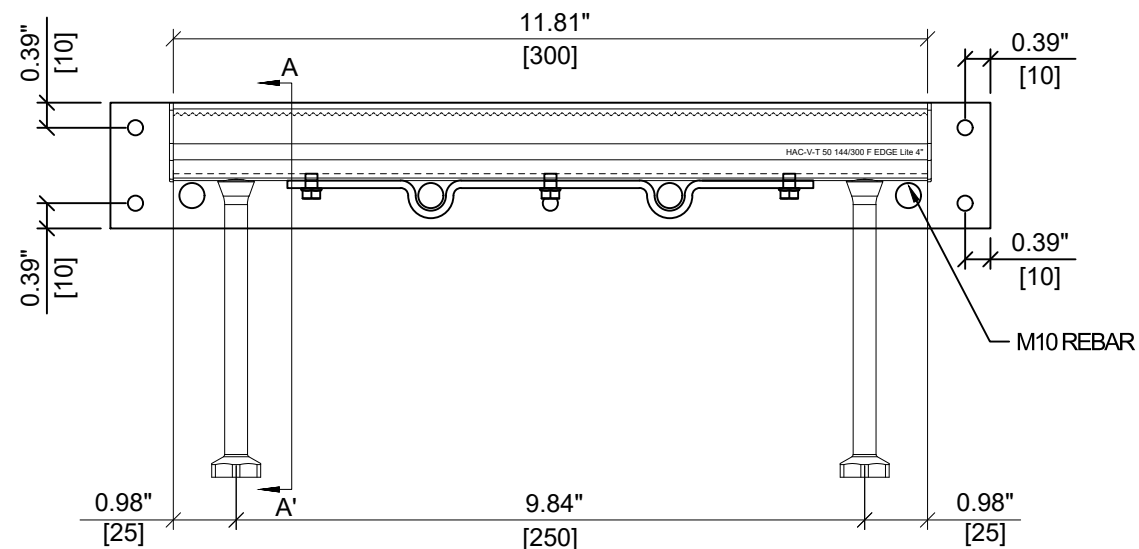
ITEM NUMBER: 2366677

CHANNEL LIP: SERRATED 

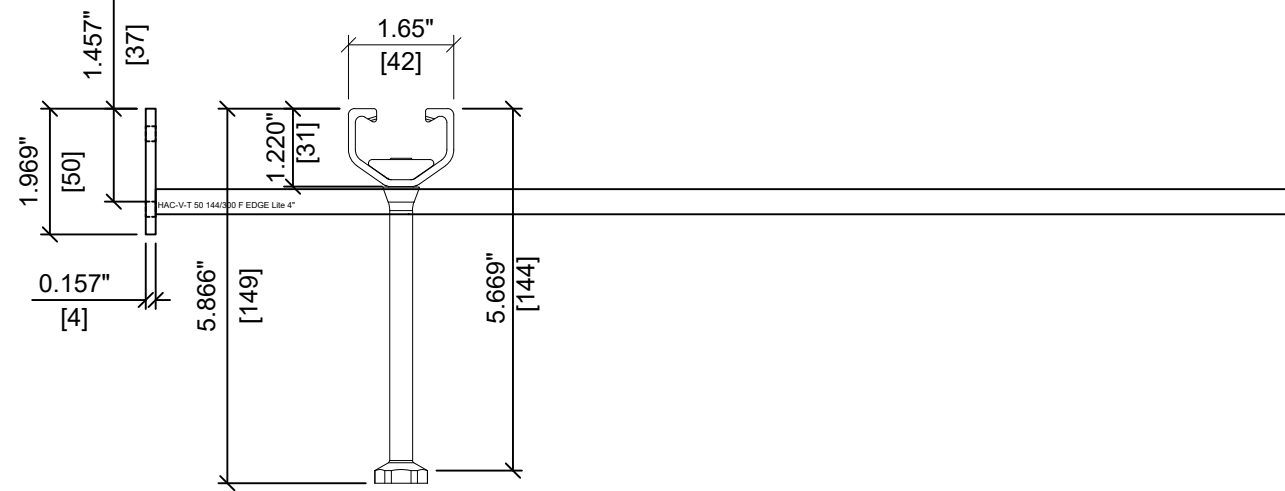
ITEM DESCRIPTION: Rebar HAC-V-T 50 94/300 F EDGE Lite 4"



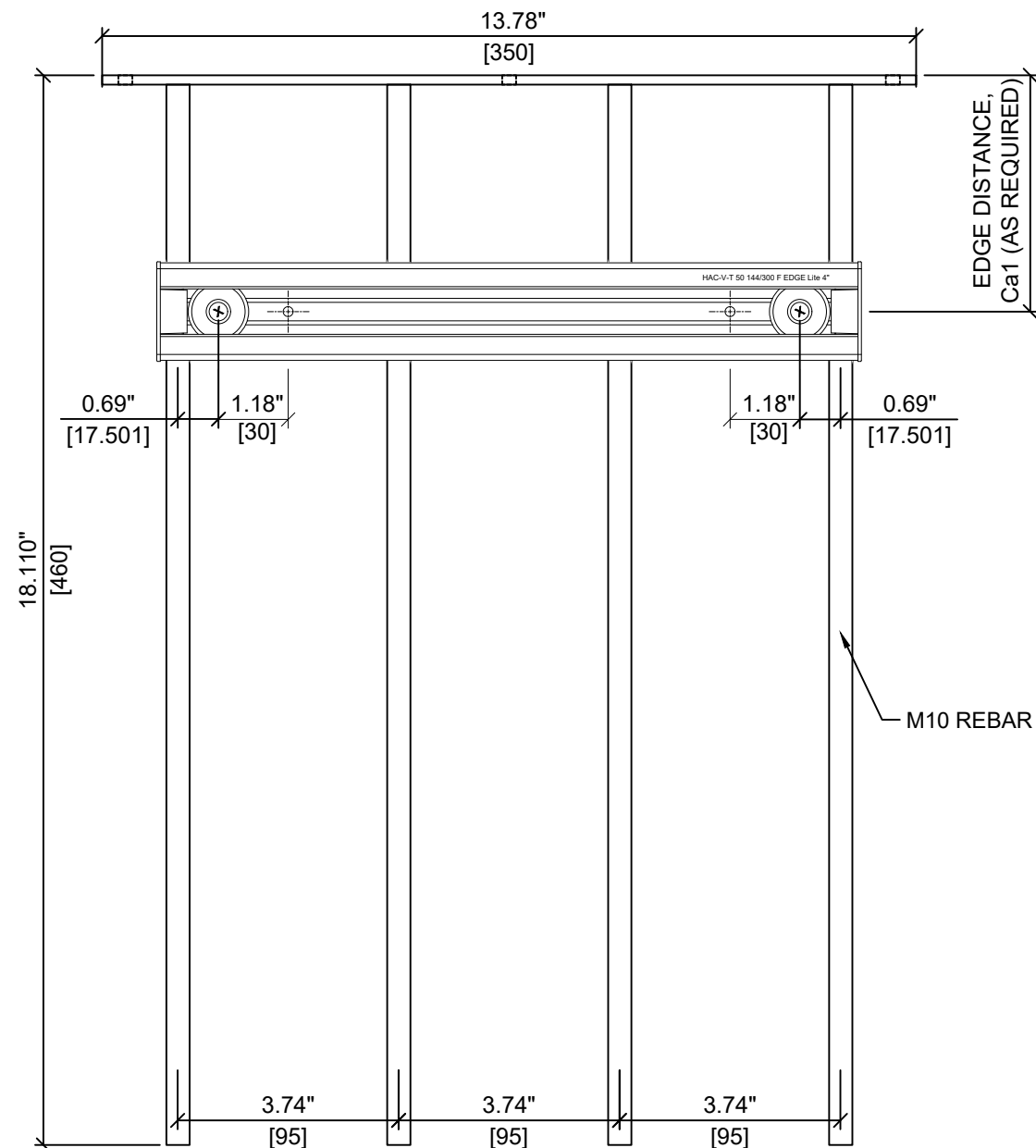
ITEM NUMBER: 2366674	CHANNEL LIP: SERRATED
ITEM DESCRIPTION: Rebar HAC-V-T 50 106/300 F EDGE Lite 4"	



ELEVATION VIEW



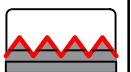
SECTION A-A'



PLAN VIEW



ITEM NUMBER: 2366675	CHANNEL LIP: SERRATED
--------------------------------	---------------------------------



ITEM DESCRIPTION:
Rebar HAC-V-T 50 144/300 F EDGE Lite 4"