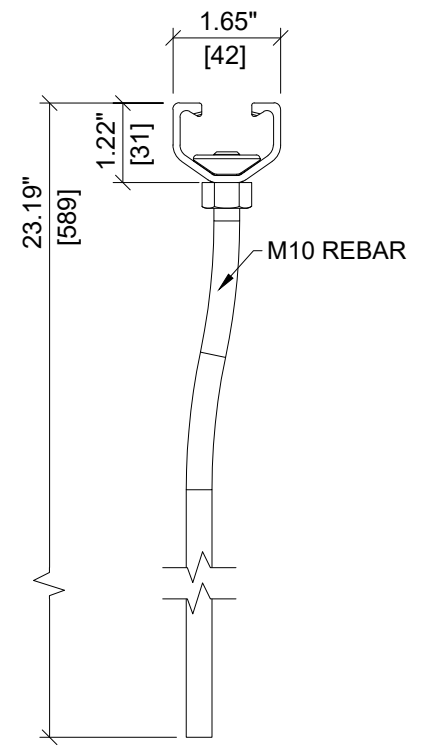
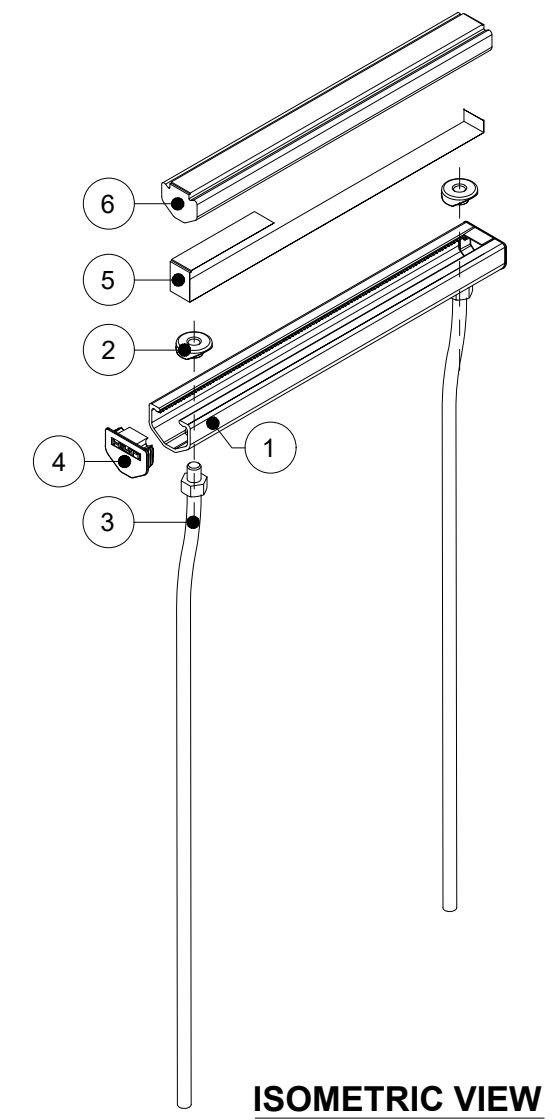


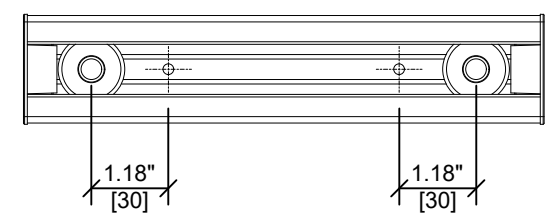
ELEVATION VIEW



SECTION A-A'



ISOMETRIC VIEW



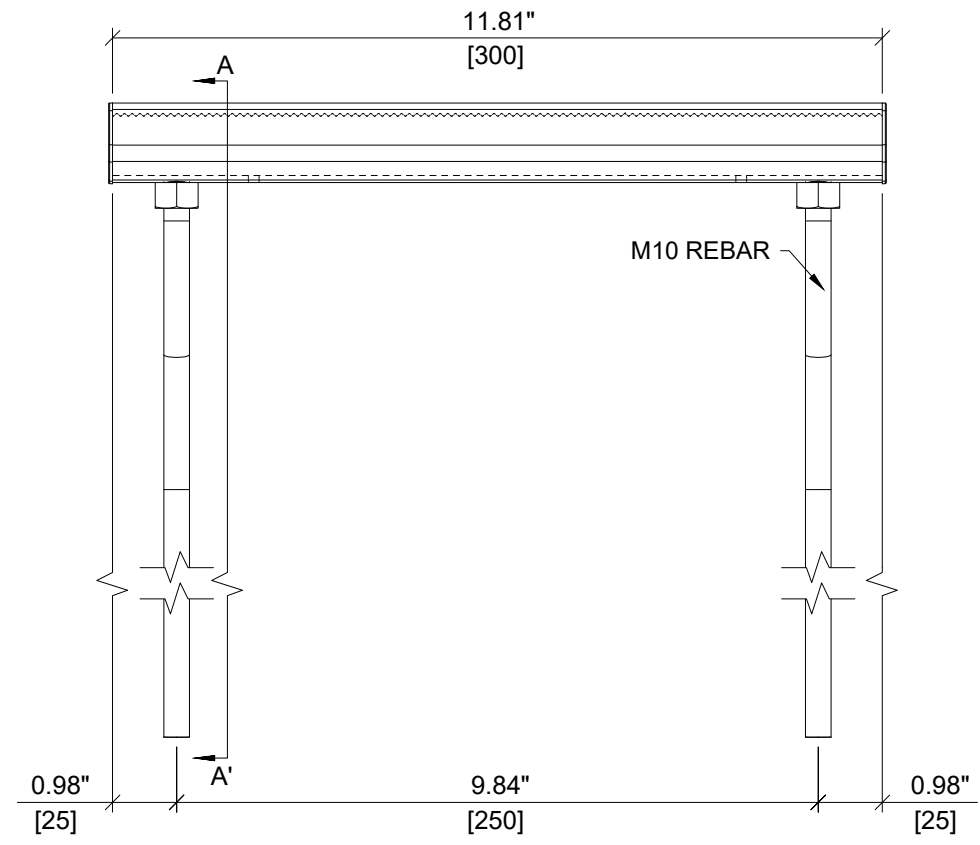
PLAN VIEW

ITEM	DESCRIPTION	QUANTITY
1	CHANNEL PROFILE	1
2	RIVET CONNECTION	2
3	M10 REBAR	2
4	END CAP	2
5	TEAR OUT BAND	1
6	FILLER FOAM	1

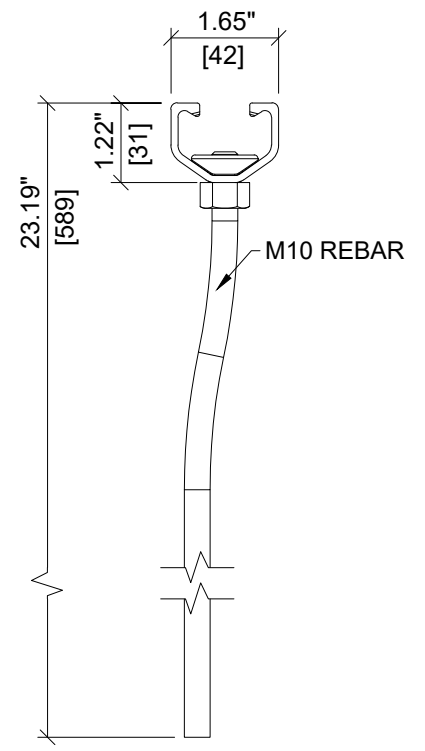
HILTI

ITEM NUMBER: <div style="text-align: center; font-size: 18px; font-weight: bold;">TBD</div>	CHANNEL LIP: <div style="display: flex; align-items: center;"> <div style="margin-right: 10px; font-weight: bold;">SERRATED</div> </div>
ITEM DESCRIPTION: <div style="text-align: center; font-weight: bold;">HAC-V-T 50 589/200 F REBAR XT</div>	

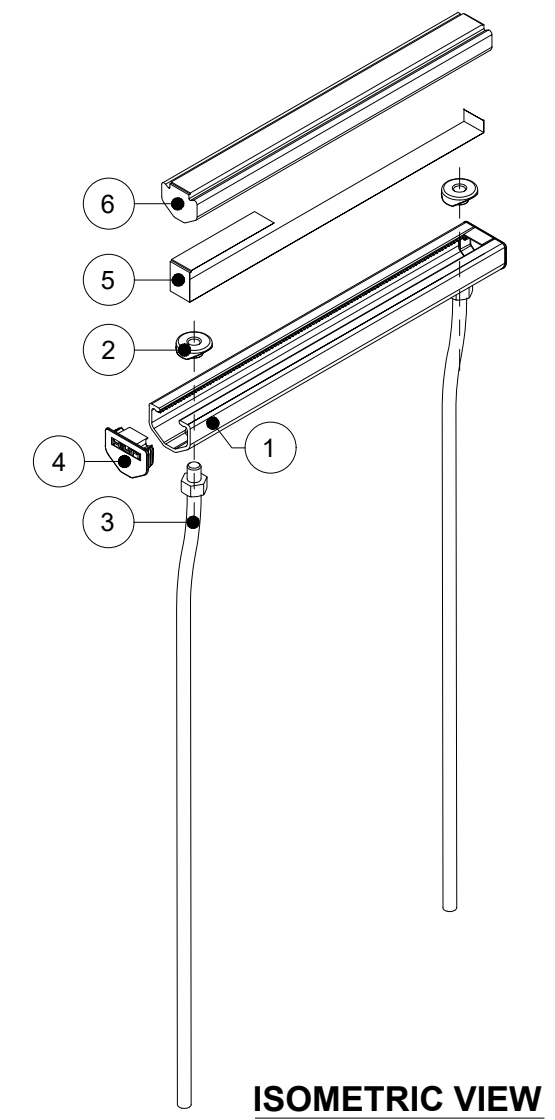
ITEM	DESCRIPTION	QUANTITY
1	CHANNEL PROFILE	1
2	RIVET CONNECTION	2
3	M10 REBAR	2
4	END CAP	2
5	TEAR OUT BAND	1
6	FILLER FOAM	1



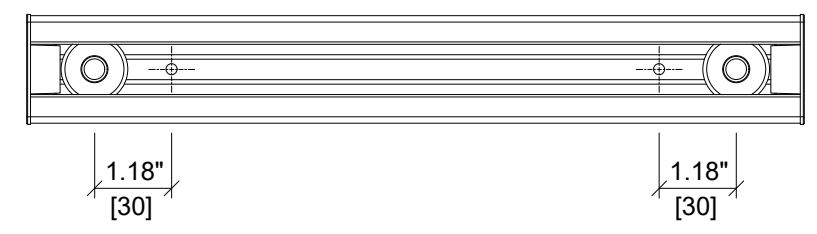
ELEVATION VIEW



SECTION A-A'



ISOMETRIC VIEW

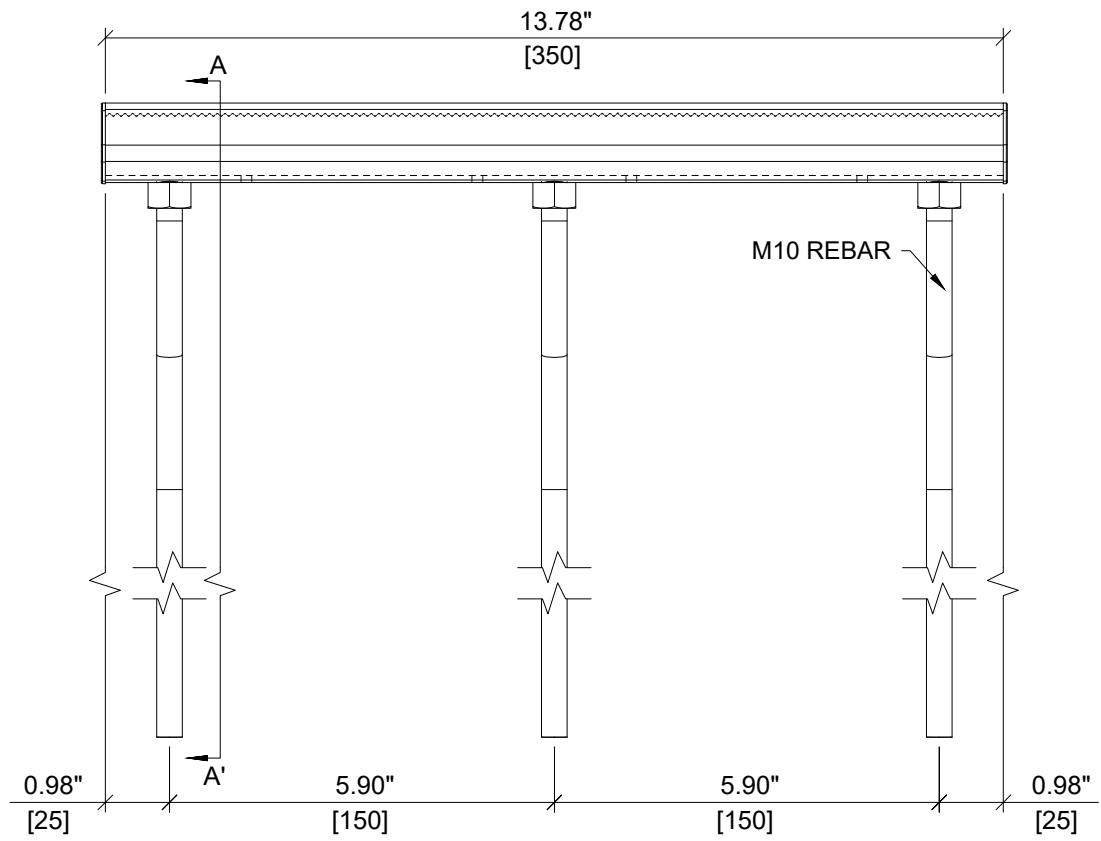


PLAN VIEW

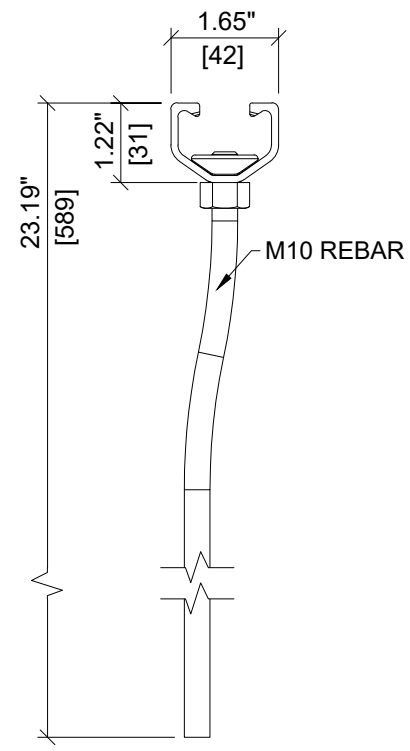
HILTI

ITEM NUMBER: <p style="text-align: center; font-weight: bold; font-size: 18px;">2348134</p>	CHANNEL LIP: <p style="text-align: center; font-weight: bold; font-size: 18px;">SERRATED</p>
ITEM DESCRIPTION: <p style="text-align: center; font-weight: bold; font-size: 16px;">HAC-V-T 50 589/300 F REBAR XT</p>	

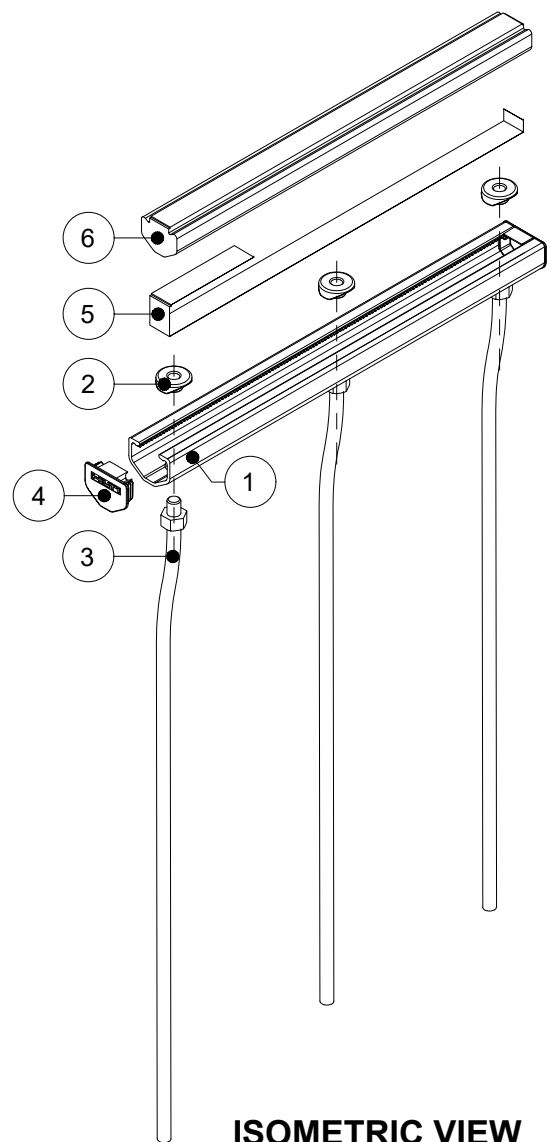
ITEM	DESCRIPTION	QUANTITY
1	CHANNEL PROFILE	1
2	RIVET CONNECTION	3
3	M10 REBAR	3
4	END CAP	2
5	TEAR OUT BAND	1
6	FILLER FOAM	1



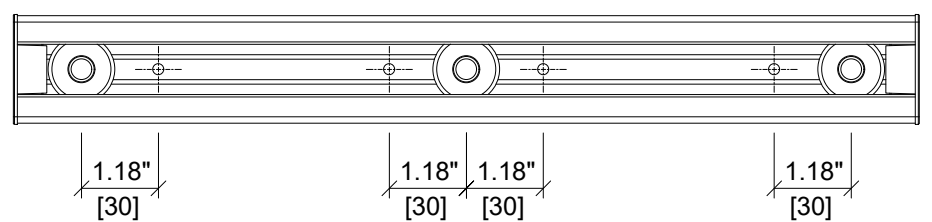
ELEVATION VIEW



SECTION A-A'



ISOMETRIC VIEW

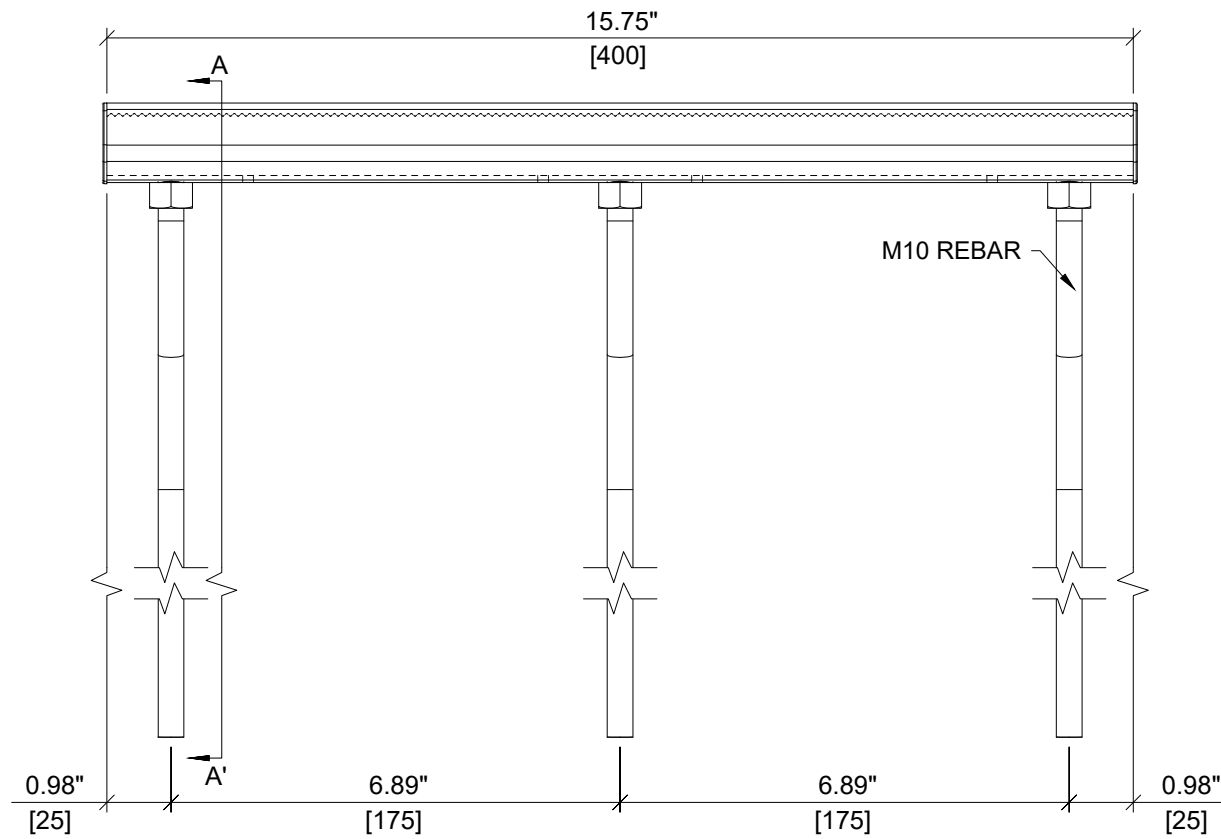


PLAN VIEW

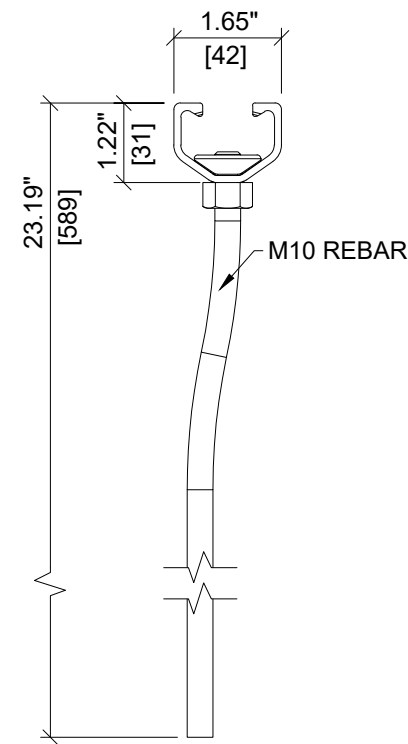
HILTI

ITEM NUMBER: <div style="font-size: 18px; font-weight: bold;">2348135</div>	CHANNEL LIP: <div style="font-size: 18px; font-weight: bold;">SERRATED</div>
ITEM DESCRIPTION: <div style="font-size: 16px; font-weight: bold;">HAC-V-T 50 589/350 F REBAR XT</div>	

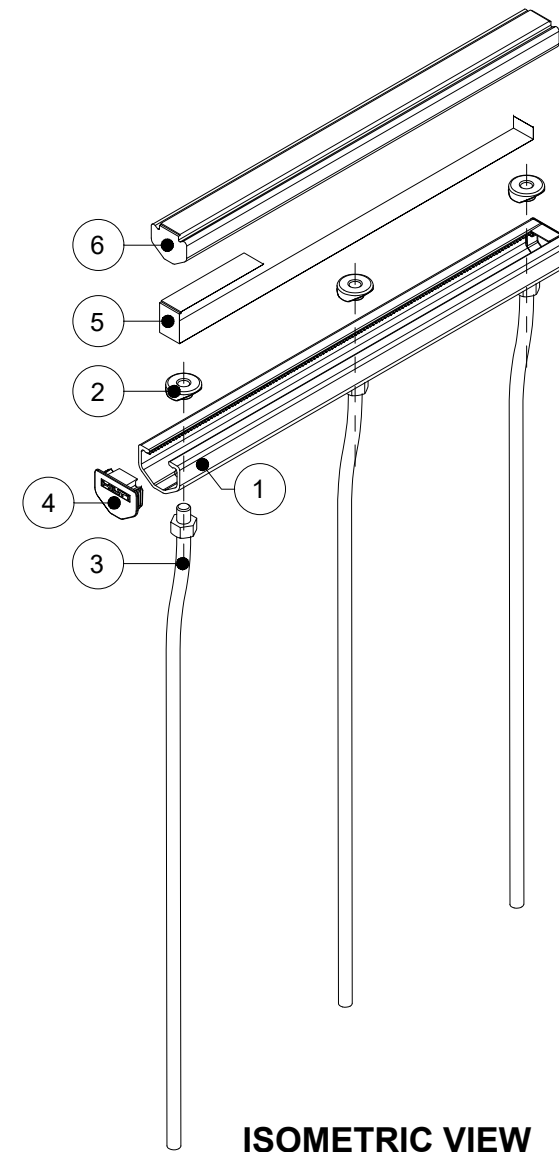
ITEM	DESCRIPTION	QUANTITY
1	CHANNEL PROFILE	1
2	RIVET CONNECTION	3
3	M10 REBAR	3
4	END CAP	2
5	TEAR OUT BAND	1
6	FILLER FOAM	1



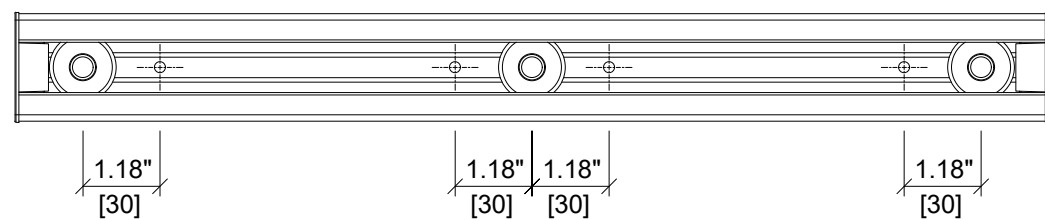
ELEVATION VIEW



SECTION A-A'



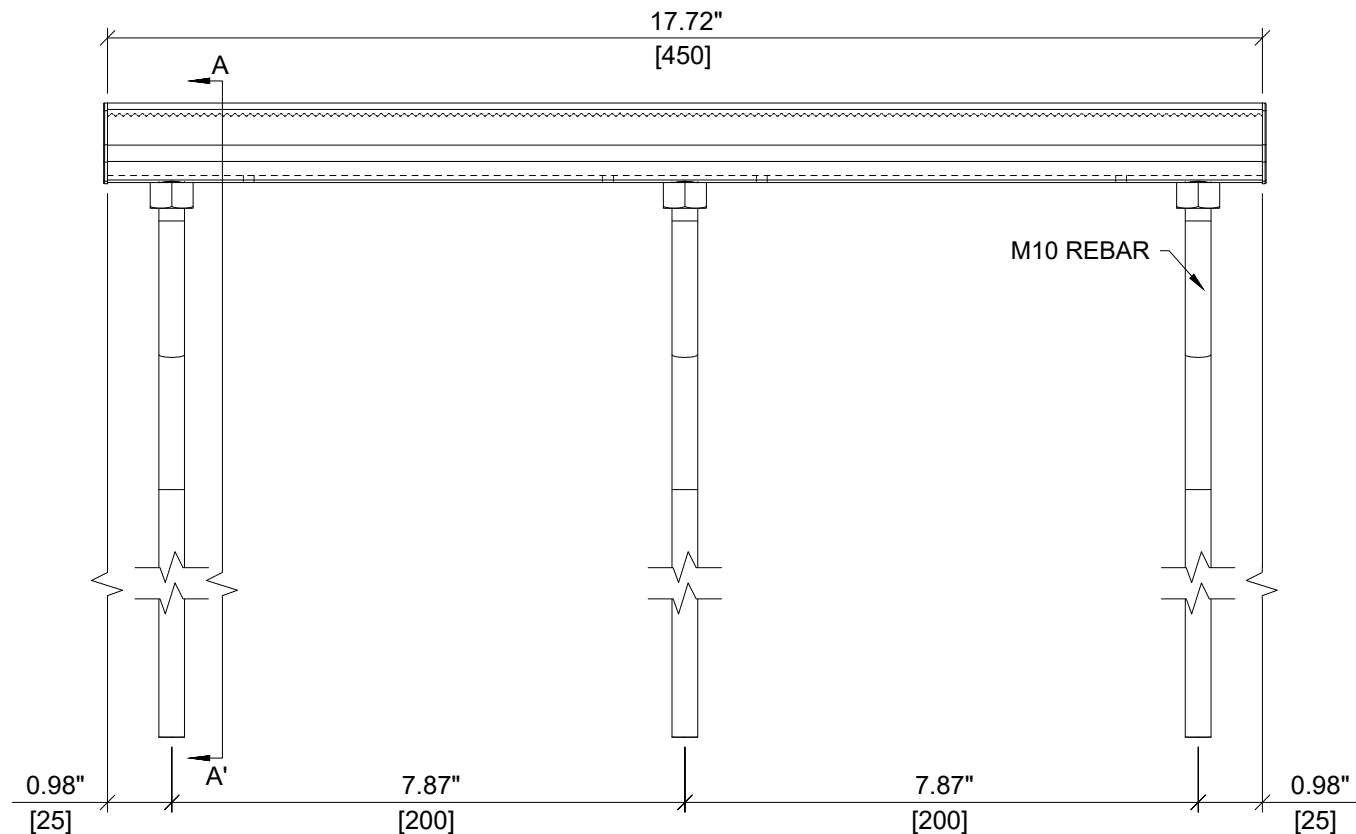
ISOMETRIC VIEW



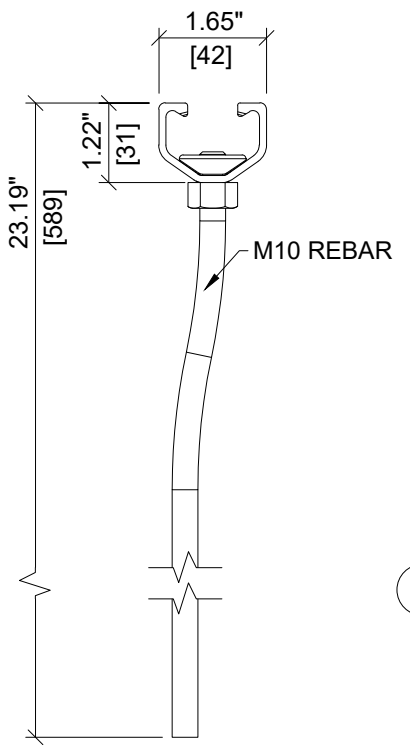
PLAN VIEW

HILTI

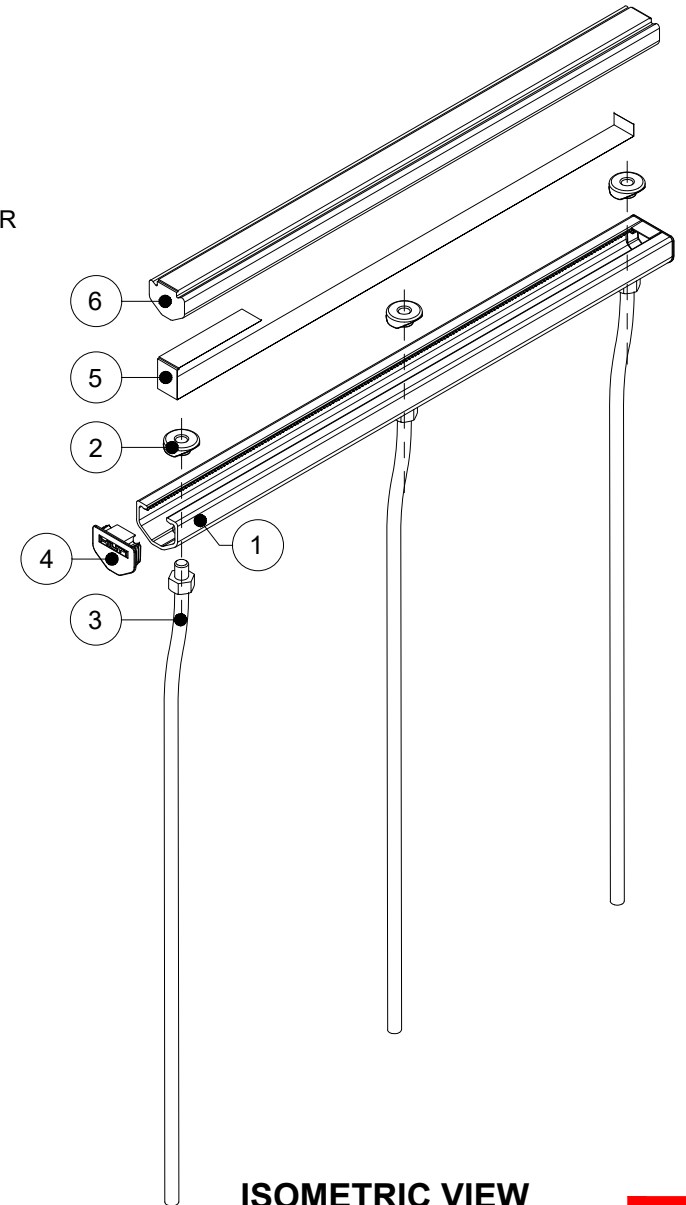
ITEM NUMBER: <div style="font-size: 18px; font-weight: bold;">2348136</div>	CHANNEL LIP: <div style="font-size: 18px; font-weight: bold;">SERRATED</div>
ITEM DESCRIPTION: <div style="font-weight: bold;">HAC-V-T 50 589/400 F REBAR XT</div>	



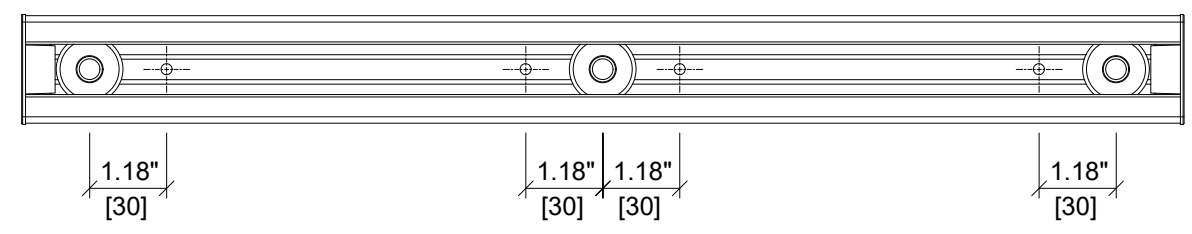
ELEVATION VIEW



SECTION A-A'



ISOMETRIC VIEW



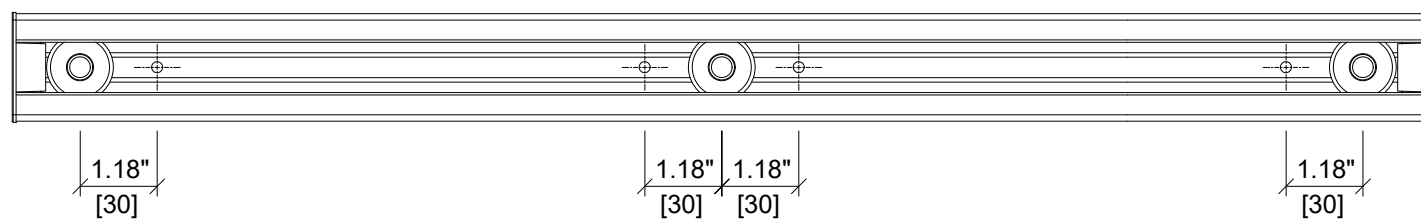
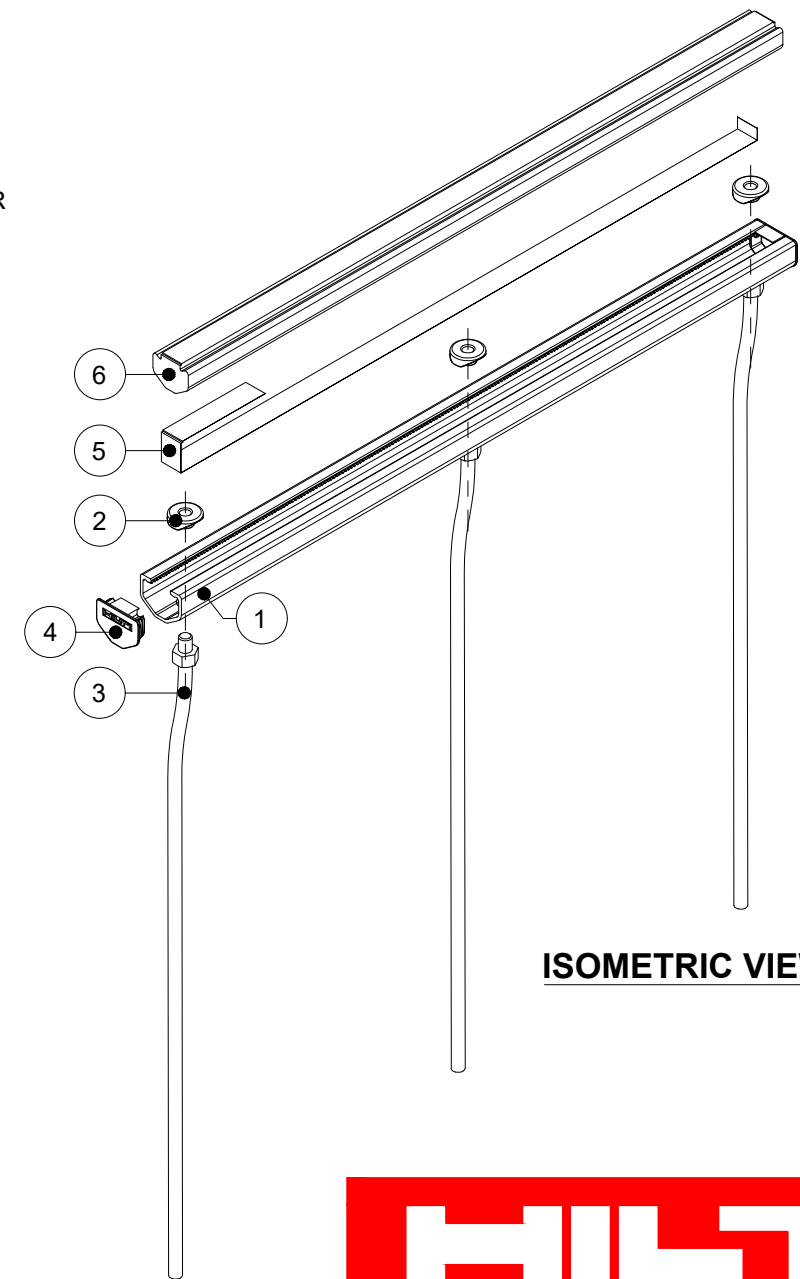
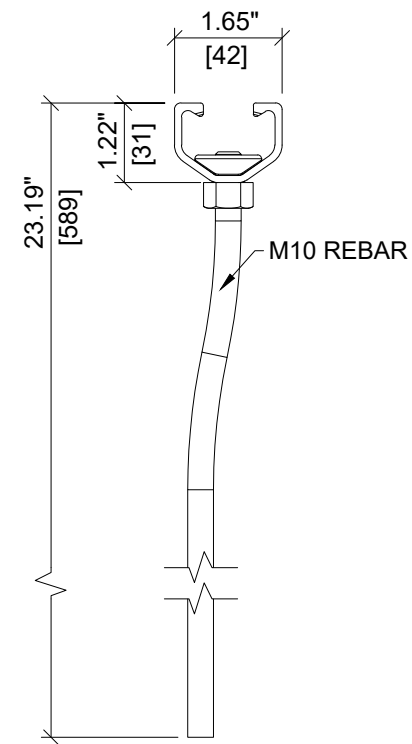
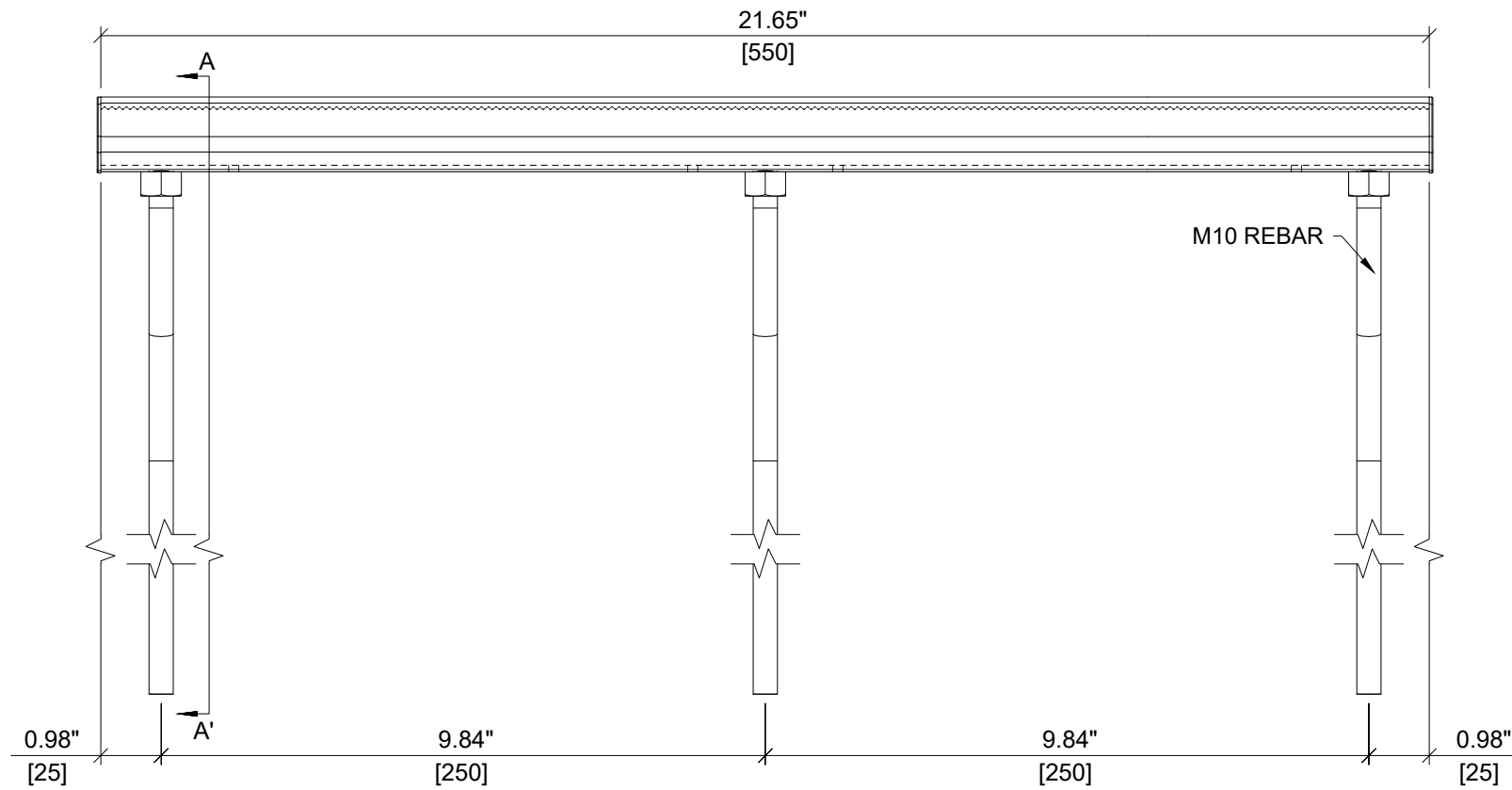
PLAN VIEW

ITEM	DESCRIPTION	QUANTITY
1	CHANNEL PROFILE	1
2	RIVET CONNECTION	3
3	M10 REBAR	3
4	END CAP	2
5	TEAR OUT BAND	1
6	FILLER FOAM	1

HILTI

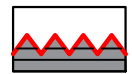
ITEM NUMBER: 2348137	CHANNEL LIP: SERRATED
ITEM DESCRIPTION: HAC-V-T 50 589/450 F REBAR XT	

ITEM	DESCRIPTION	QUANTITY
1	CHANNEL PROFILE	1
2	RIVET CONNECTION	3
3	M10 REBAR	3
4	END CAP	2
5	TEAR OUT BAND	1
6	FILLER FOAM	1



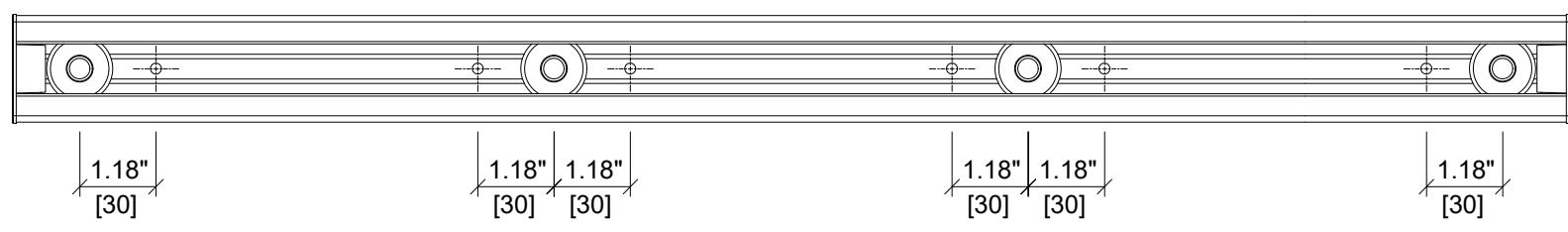
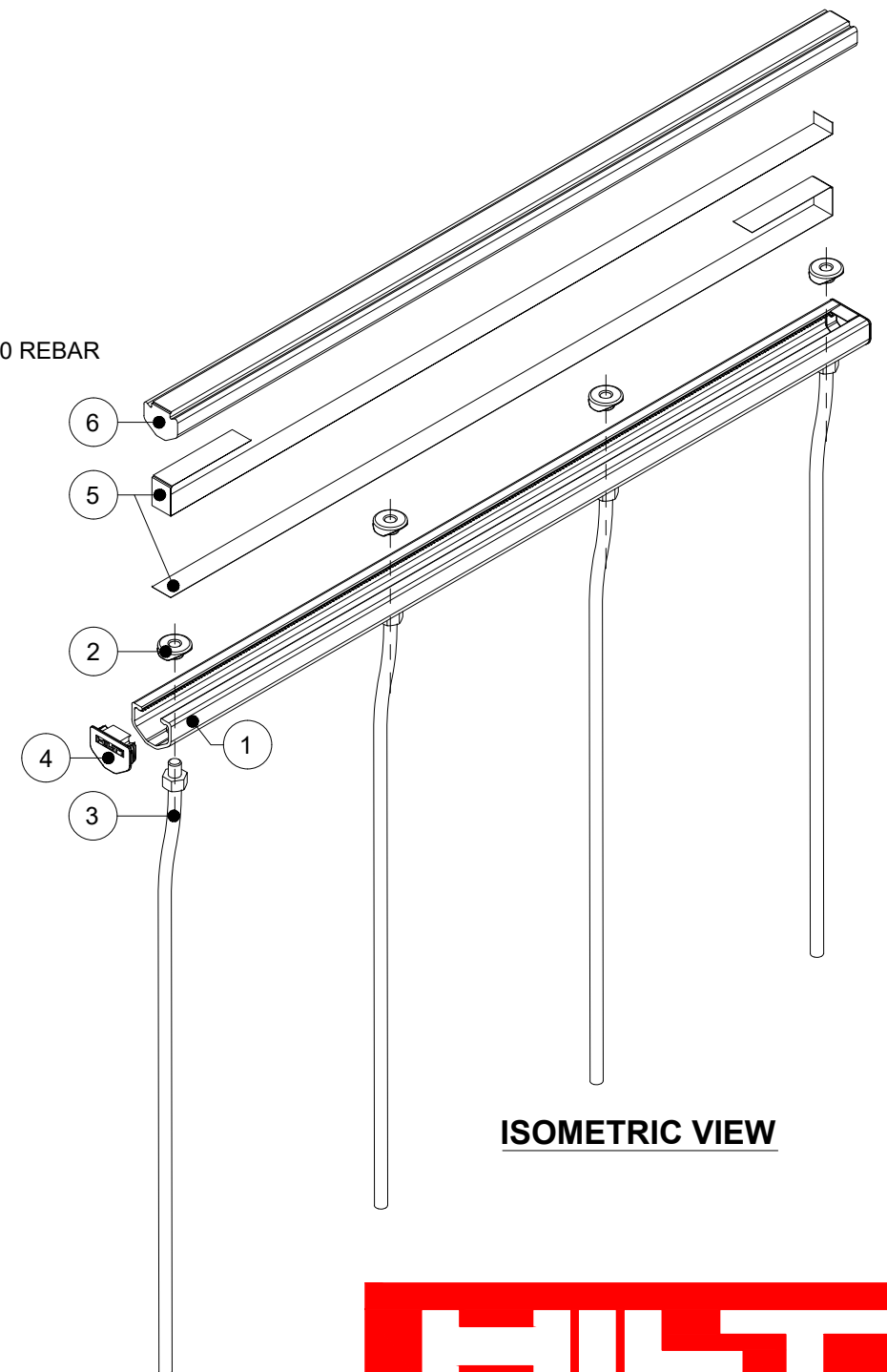
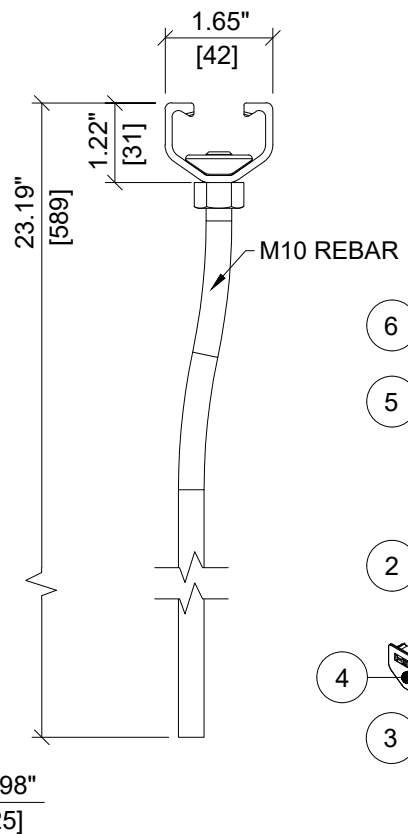
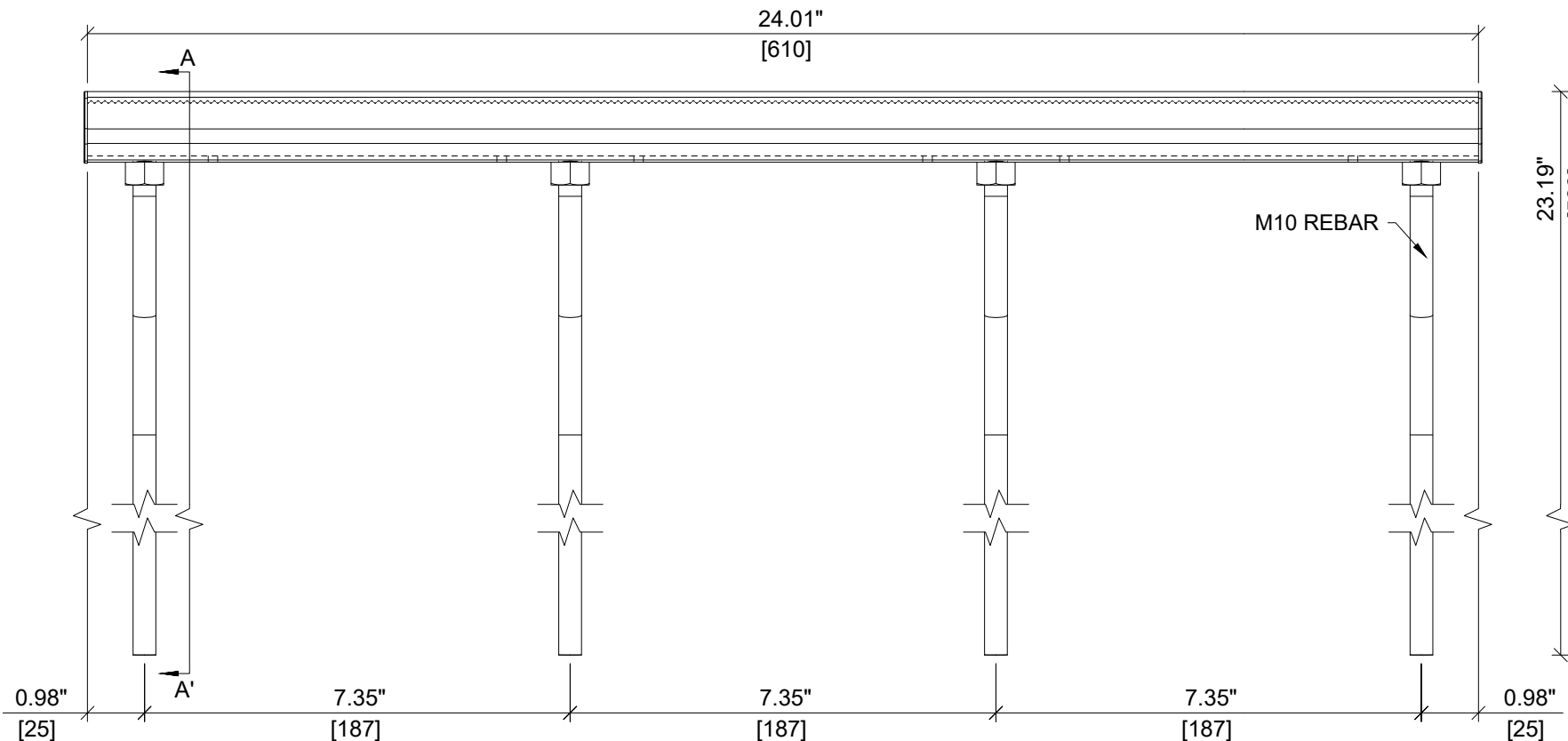
HILTI

ITEM NUMBER: 2348138

CHANNEL LIP: SERRATED 

ITEM DESCRIPTION: HAC-V-T 50 589/550 F REBAR XT

ITEM	DESCRIPTION	QUANTITY
1	CHANNEL PROFILE	1
2	RIVET CONNECTION	4
3	M10 REBAR	4
4	END CAP	2
5	TEAR OUT BAND	2
6	FILLER FOAM	1

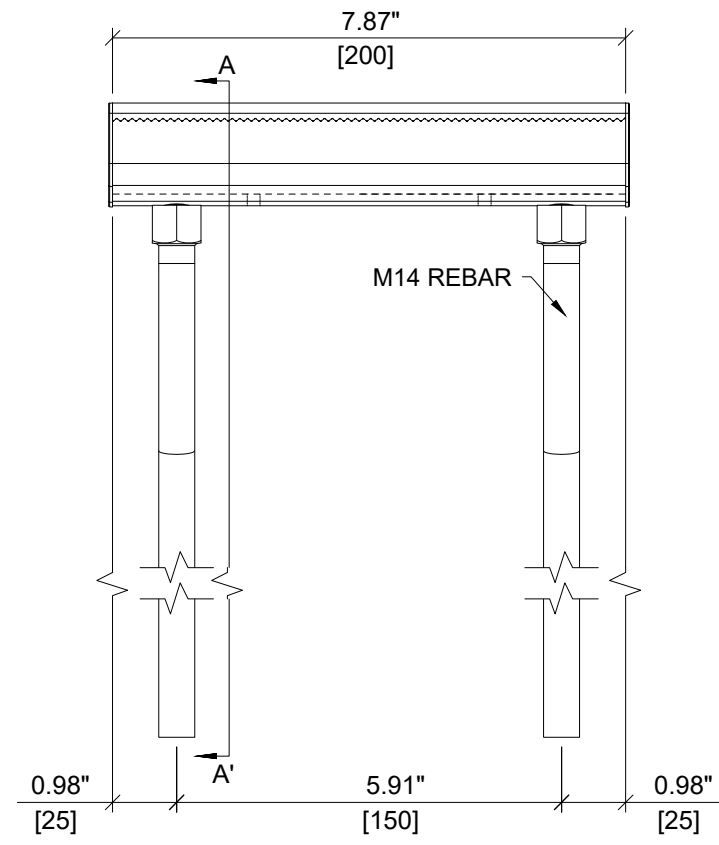


ITEM NUMBER: 2348139

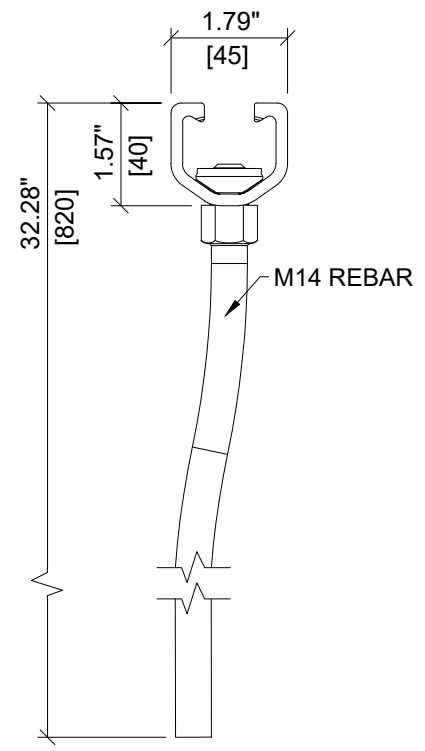
CHANNEL LIP: SERRATED

ITEM DESCRIPTION: HAC-V-T 50 589/610 F REBAR XT

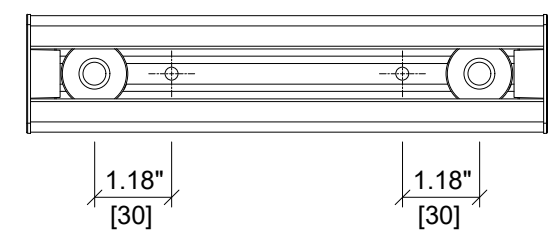
ITEM	DESCRIPTION	QUANTITY
1	CHANNEL PROFILE	1
2	RIVET CONNECTION	2
3	M14 REBAR	2
4	END CAP	2
5	TEAR OUT BAND	1
6	FILLER FOAM	1



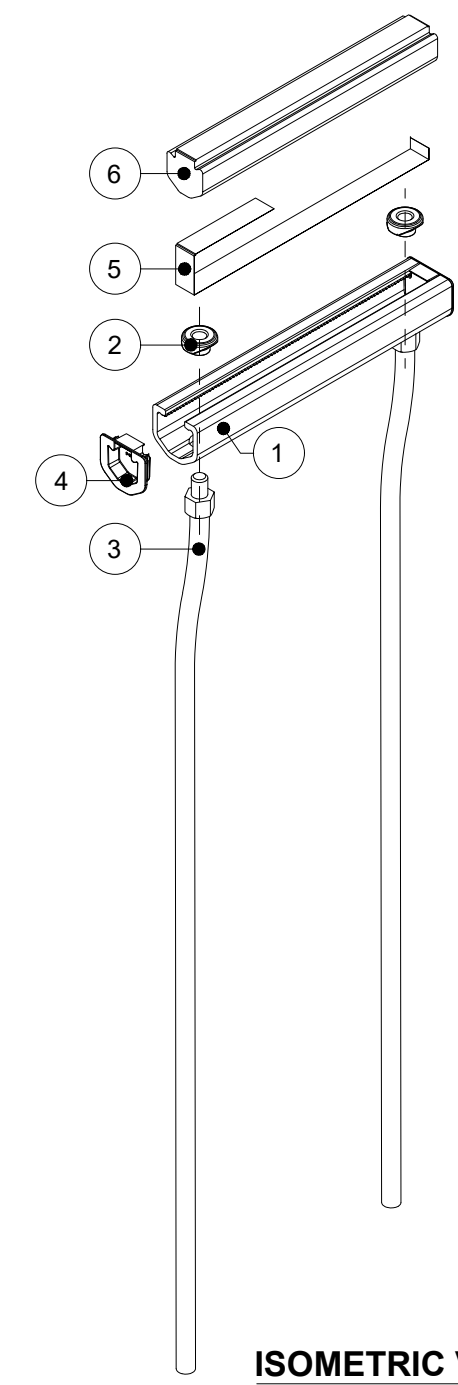
ELEVATION VIEW



SECTION A-A'



PLAN VIEW

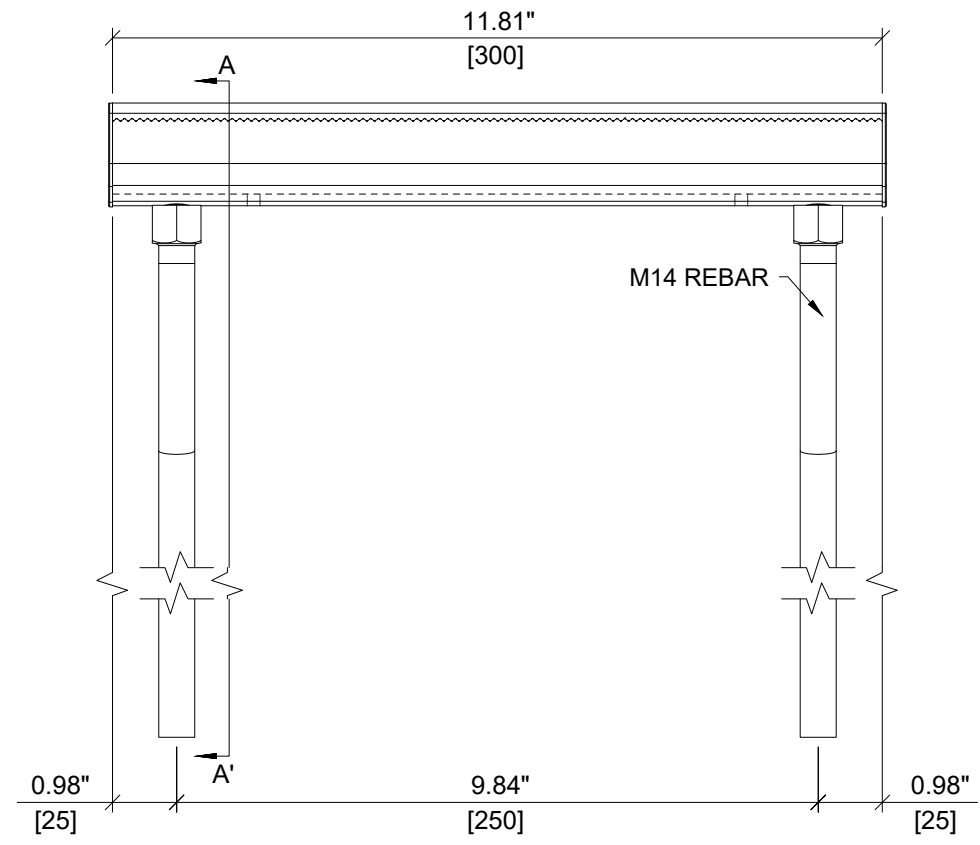


ISOMETRIC VIEW

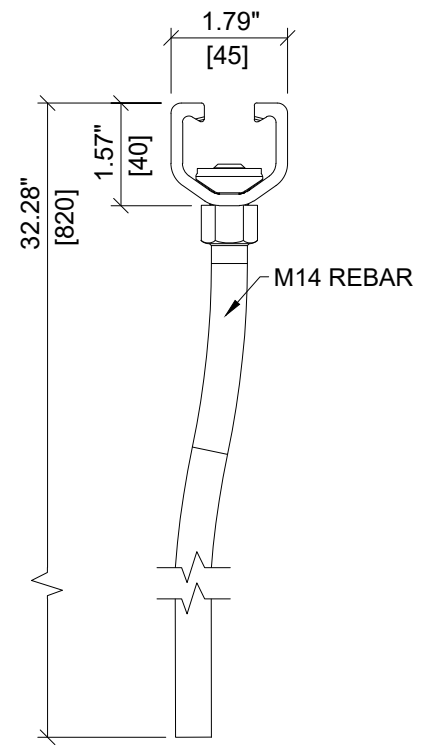
HILTI

ITEM NUMBER: <div style="text-align: center; font-size: 18px; font-weight: bold;">TBD</div>	CHANNEL LIP: <div style="text-align: center; font-weight: bold;">SERRATED</div>
ITEM DESCRIPTION: <div style="text-align: center; font-weight: bold;">HAC-V-T 70 820/200 F REBAR XT</div>	

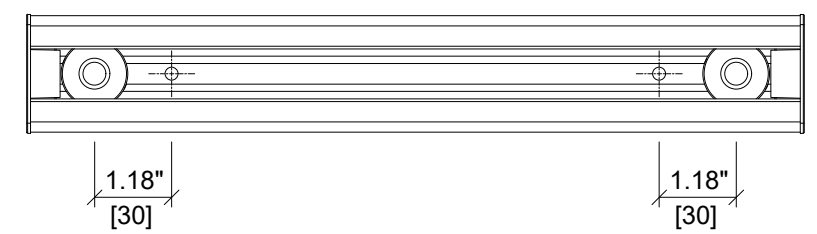
ITEM	DESCRIPTION	QUANTITY
1	CHANNEL PROFILE	1
2	RIVET CONNECTION	2
3	M14 REBAR	2
4	END CAP	2
5	TEAR OUT BAND	1
6	FILLER FOAM	1



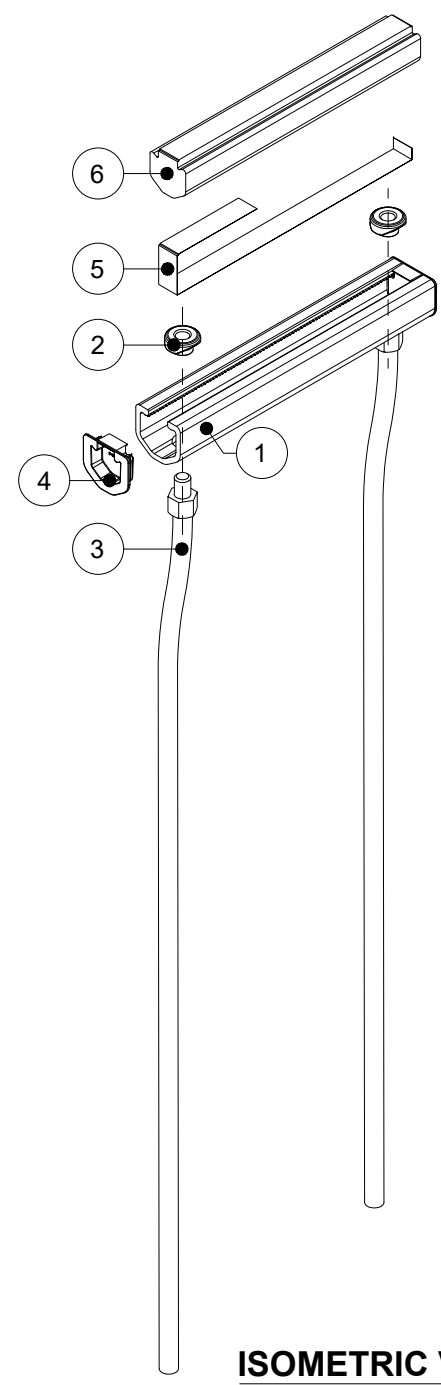
ELEVATION VIEW



SECTION A-A'



PLAN VIEW

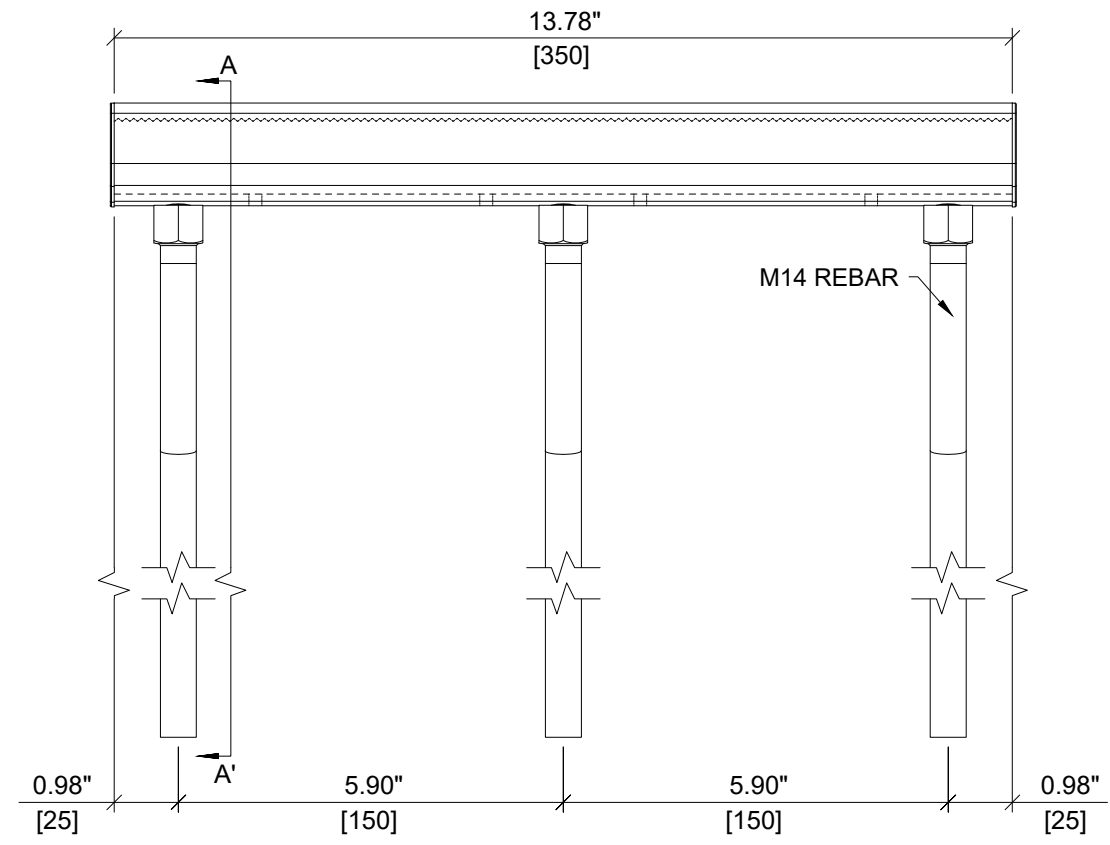


ISOMETRIC VIEW

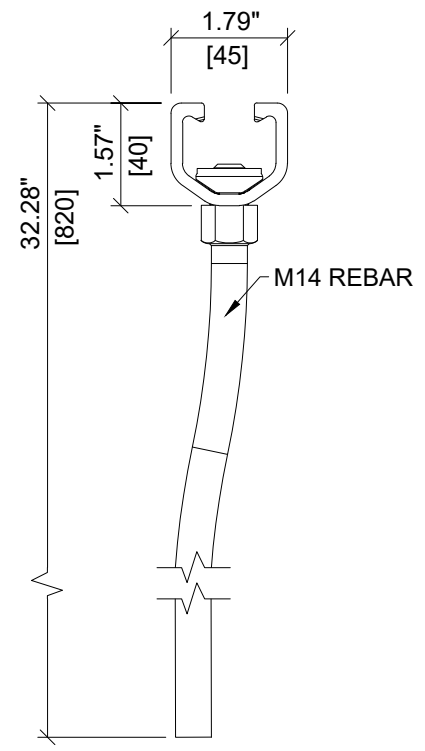
HILTI

ITEM NUMBER: <div style="font-size: 18px; font-weight: bold;">2348146</div>	CHANNEL LIP: <div style="font-weight: bold;">SERRATED</div>
ITEM DESCRIPTION: <div style="font-weight: bold;">HAC-V-T 70 820/300 F REBAR XT</div>	

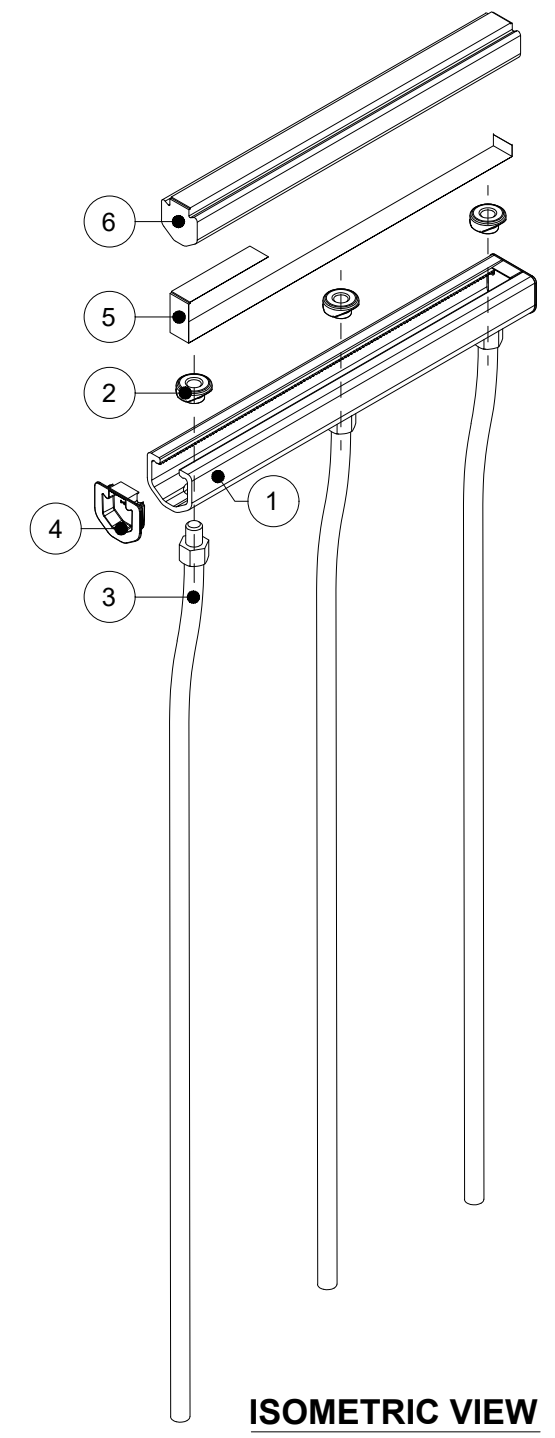
ITEM	DESCRIPTION	QUANTITY
1	CHANNEL PROFILE	1
2	RIVET CONNECTION	3
3	M14 REBAR	3
4	END CAP	2
5	TEAR OUT BAND	1
6	FILLER FOAM	1



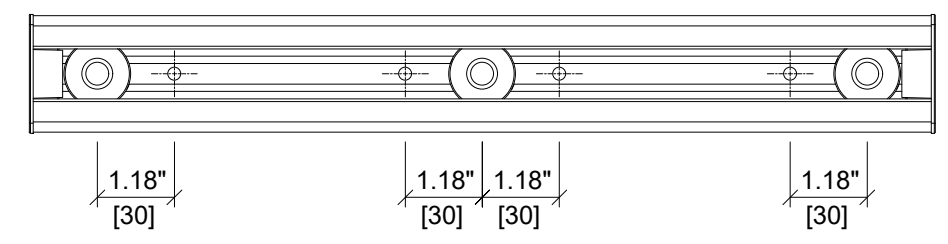
ELEVATION VIEW



SECTION A-A'



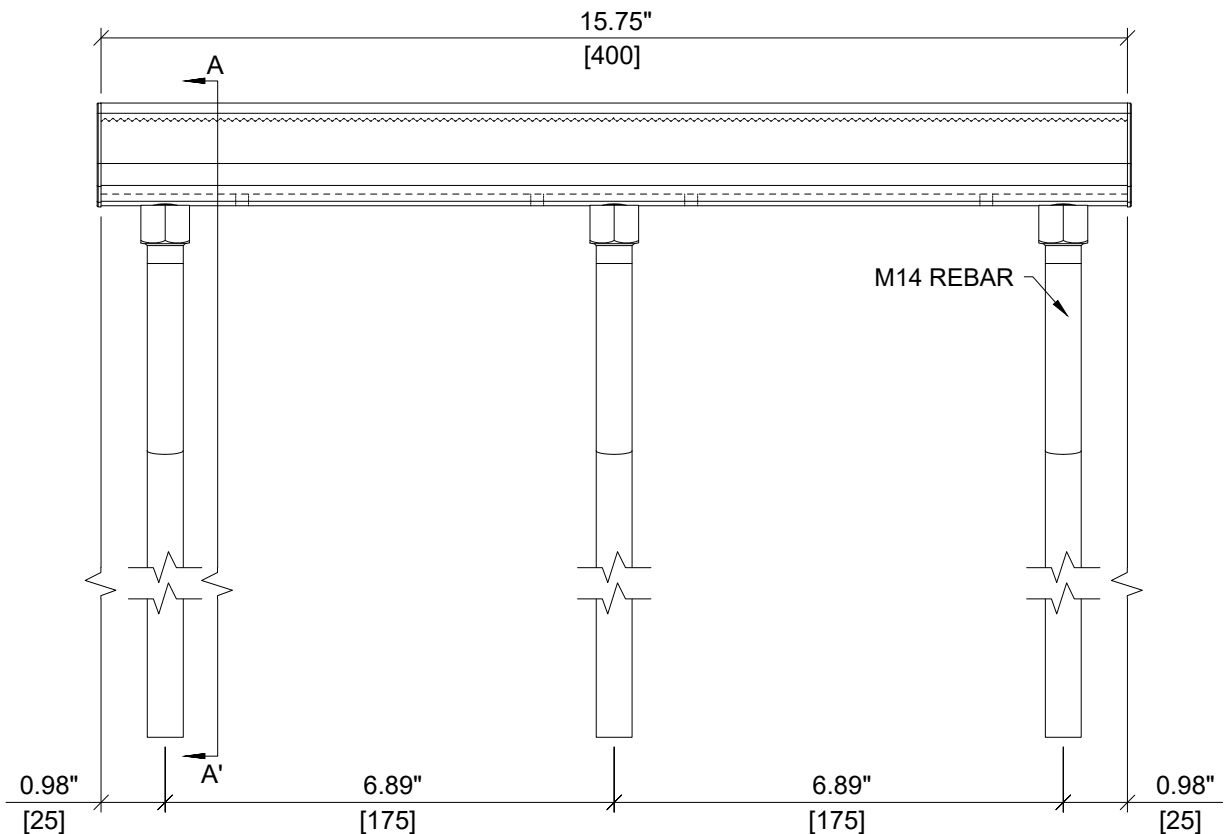
ISOMETRIC VIEW



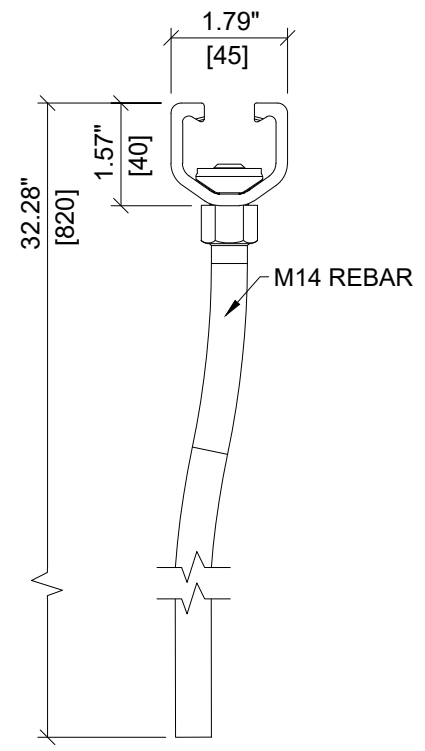
PLAN VIEW

HILTI

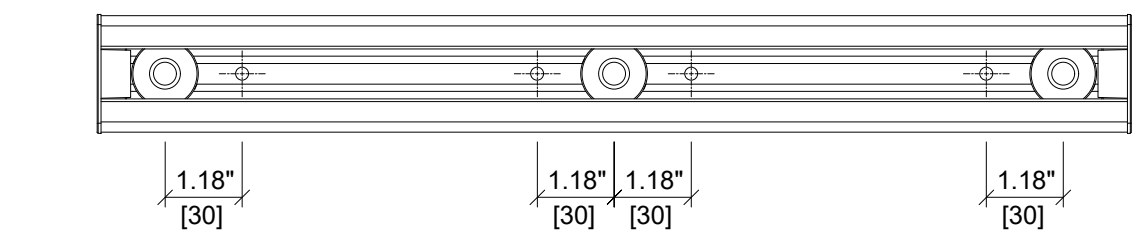
ITEM NUMBER: <div style="font-size: 18px; font-weight: bold;">2348147</div>	CHANNEL LIP: <div style="font-weight: bold;">SERRATED</div>
ITEM DESCRIPTION: <div style="font-weight: bold;">HAC-V-T 70 820/350 F REBAR XT</div>	



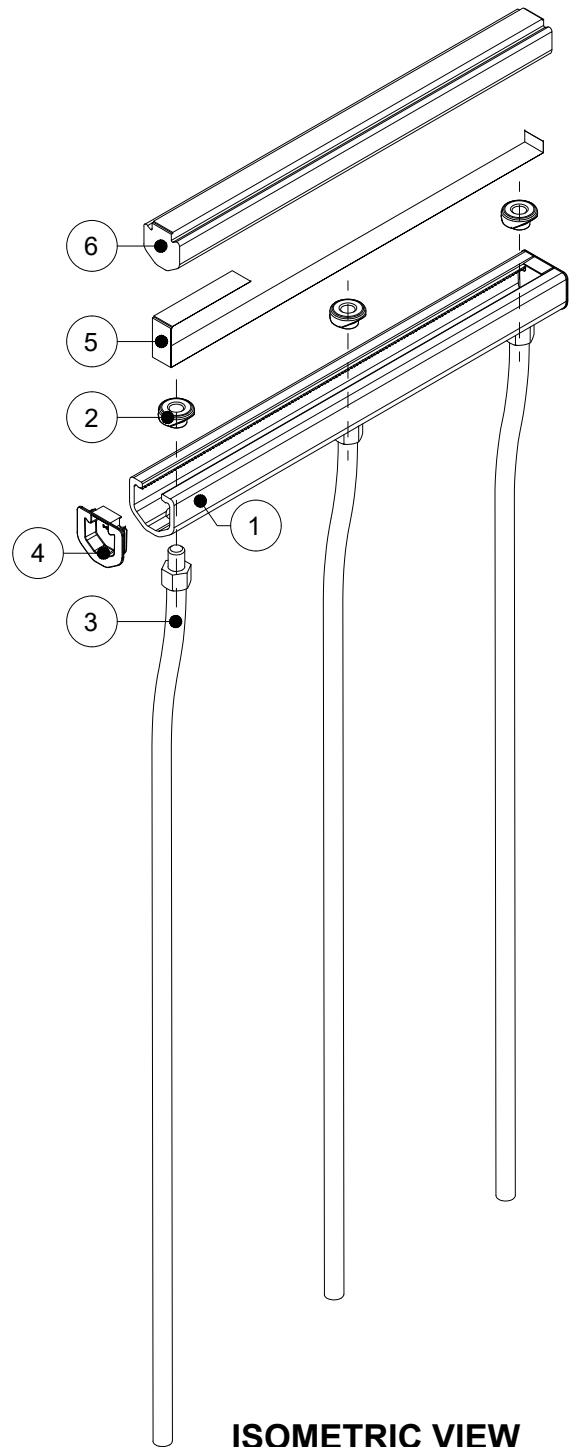
ELEVATION VIEW



SECTION A-A'



PLAN VIEW

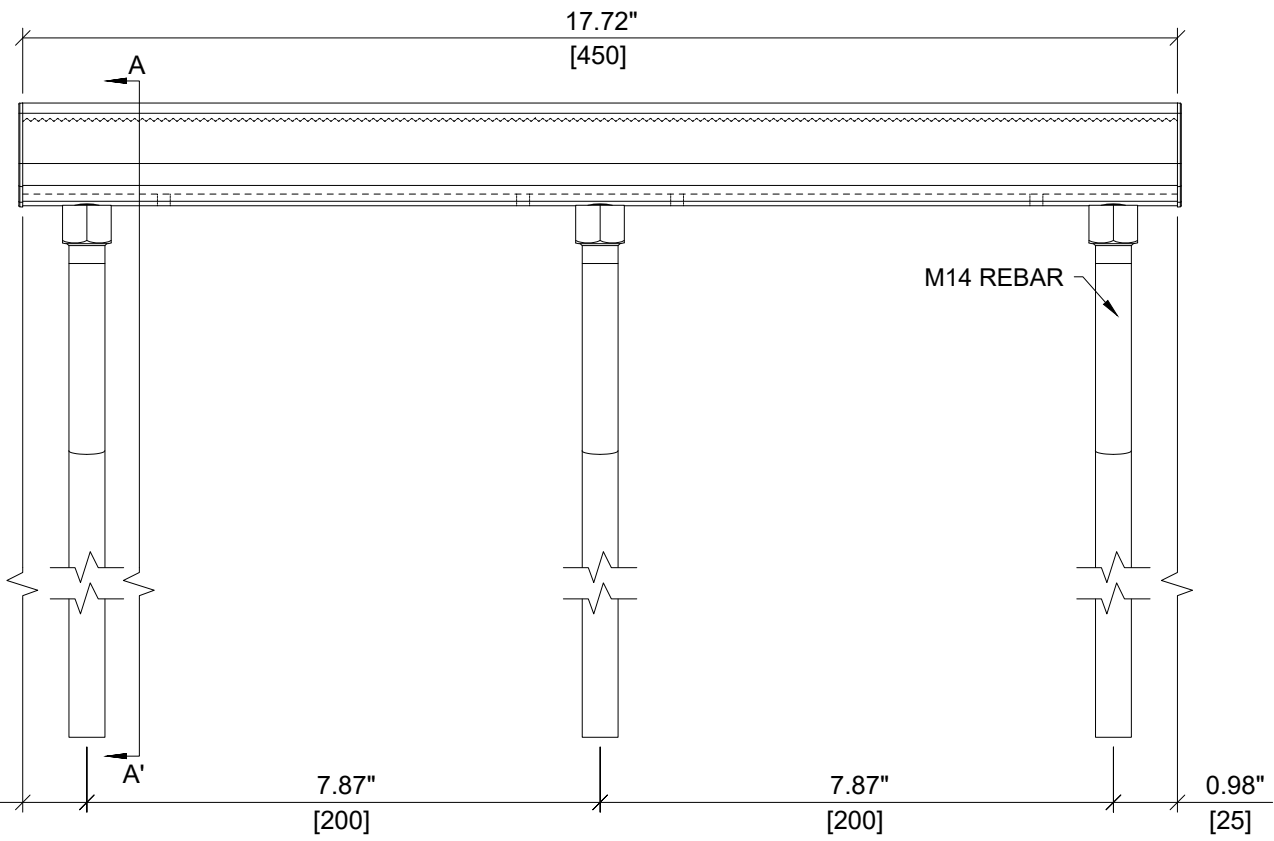


ISOMETRIC VIEW

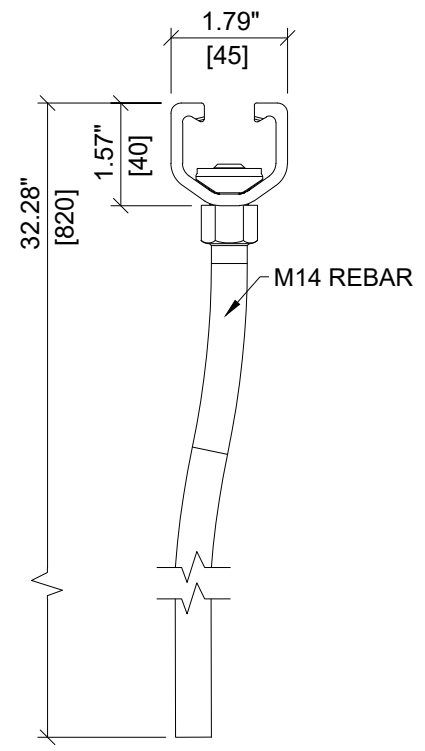
ITEM	DESCRIPTION	QUANTITY
1	CHANNEL PROFILE	1
2	RIVET CONNECTION	3
3	M14 REBAR	3
4	END CAP	2
5	TEAR OUT BAND	1
6	FILLER FOAM	1

HILTI

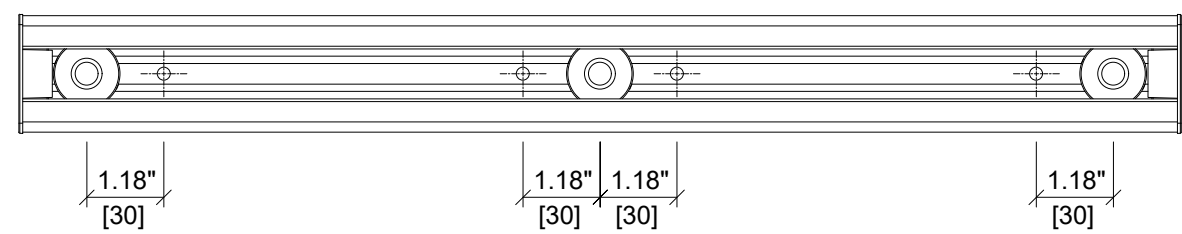
ITEM NUMBER: <div style="font-size: 18px; font-weight: bold;">2348148</div>	CHANNEL LIP: <div style="font-weight: bold;">SERRATED</div>
ITEM DESCRIPTION: <div style="font-weight: bold;">HAC-V-T 70 820/400 F REBAR XT</div>	



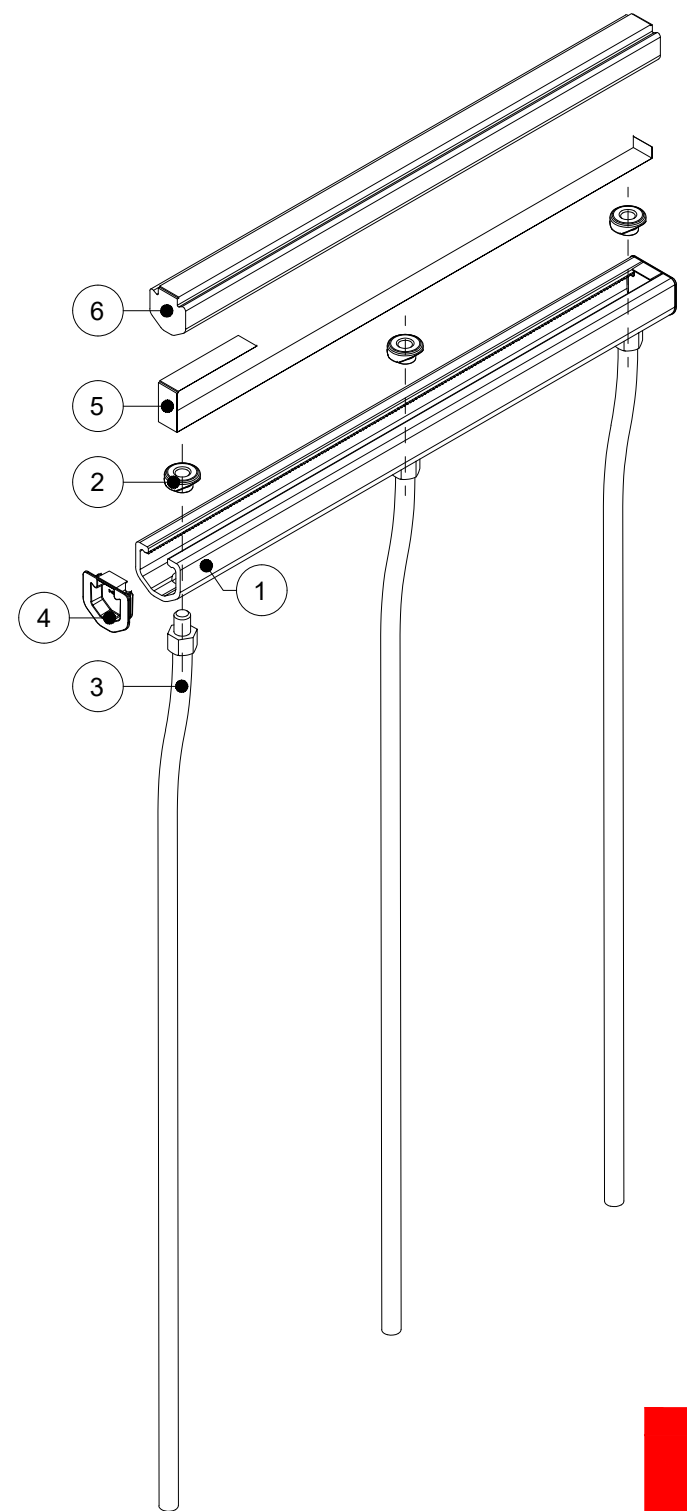
ELEVATION VIEW



SECTION A-A'



PLAN VIEW



ISOMETRIC VIEW

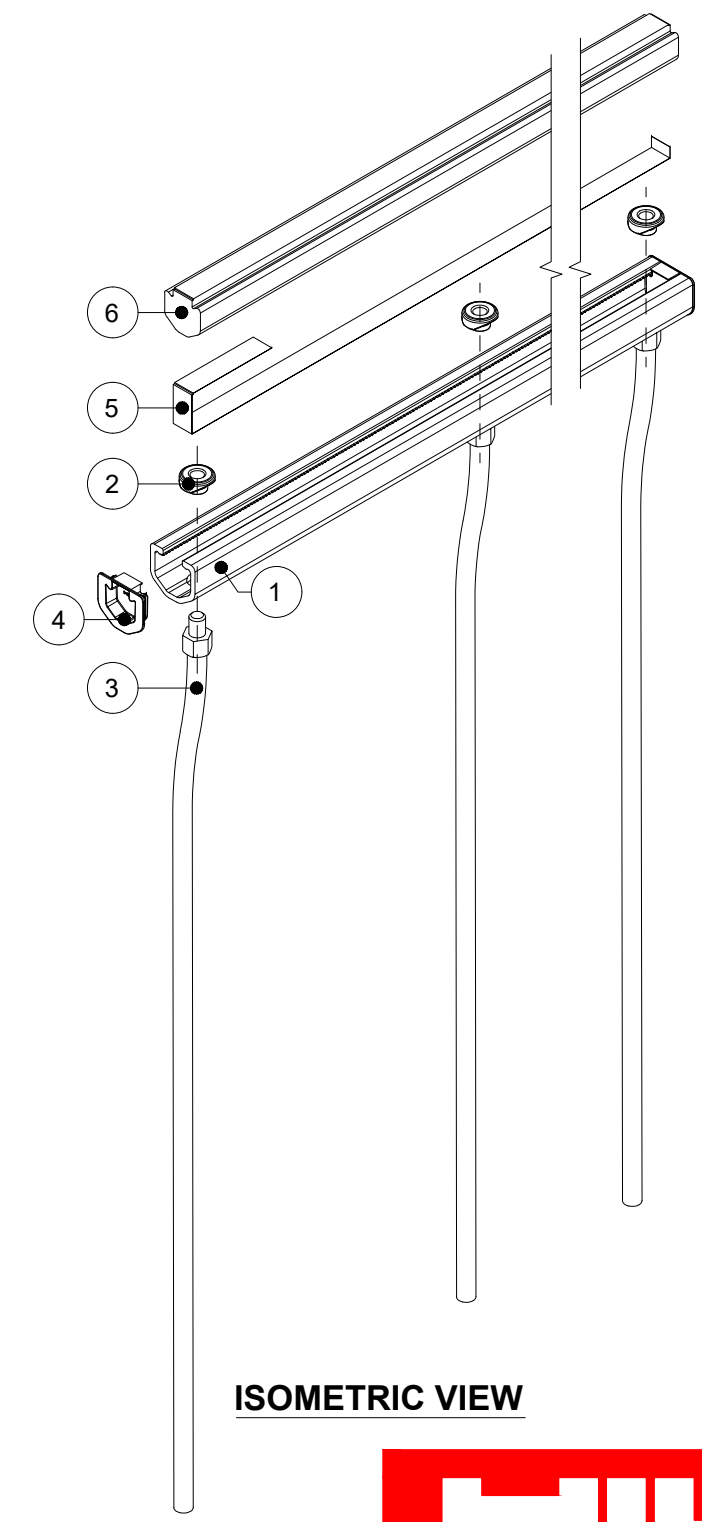
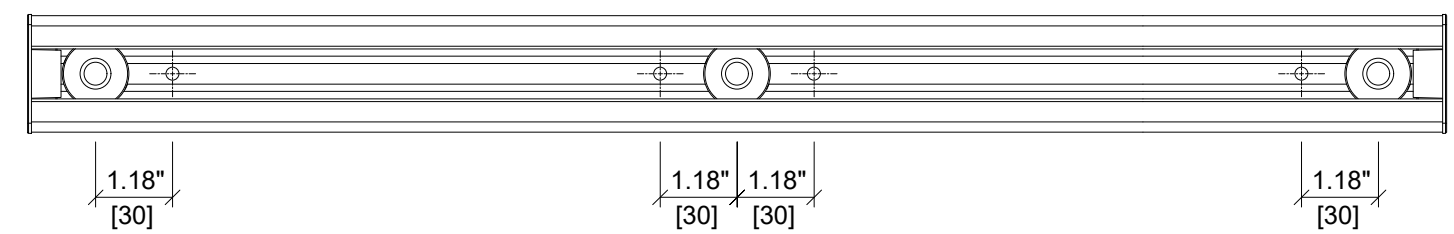
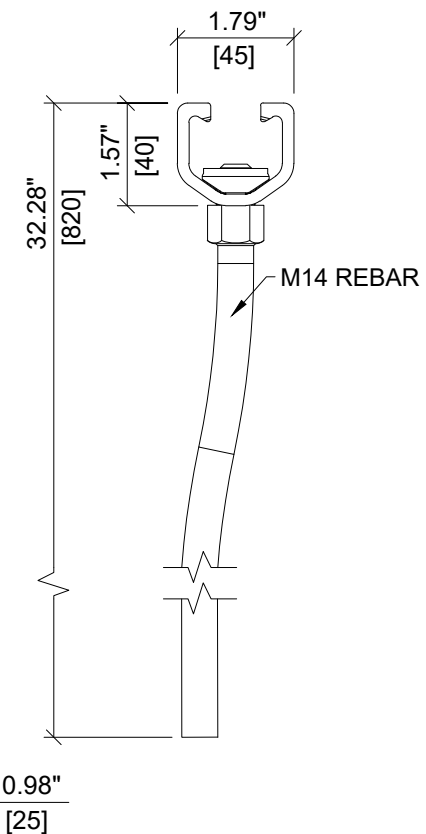
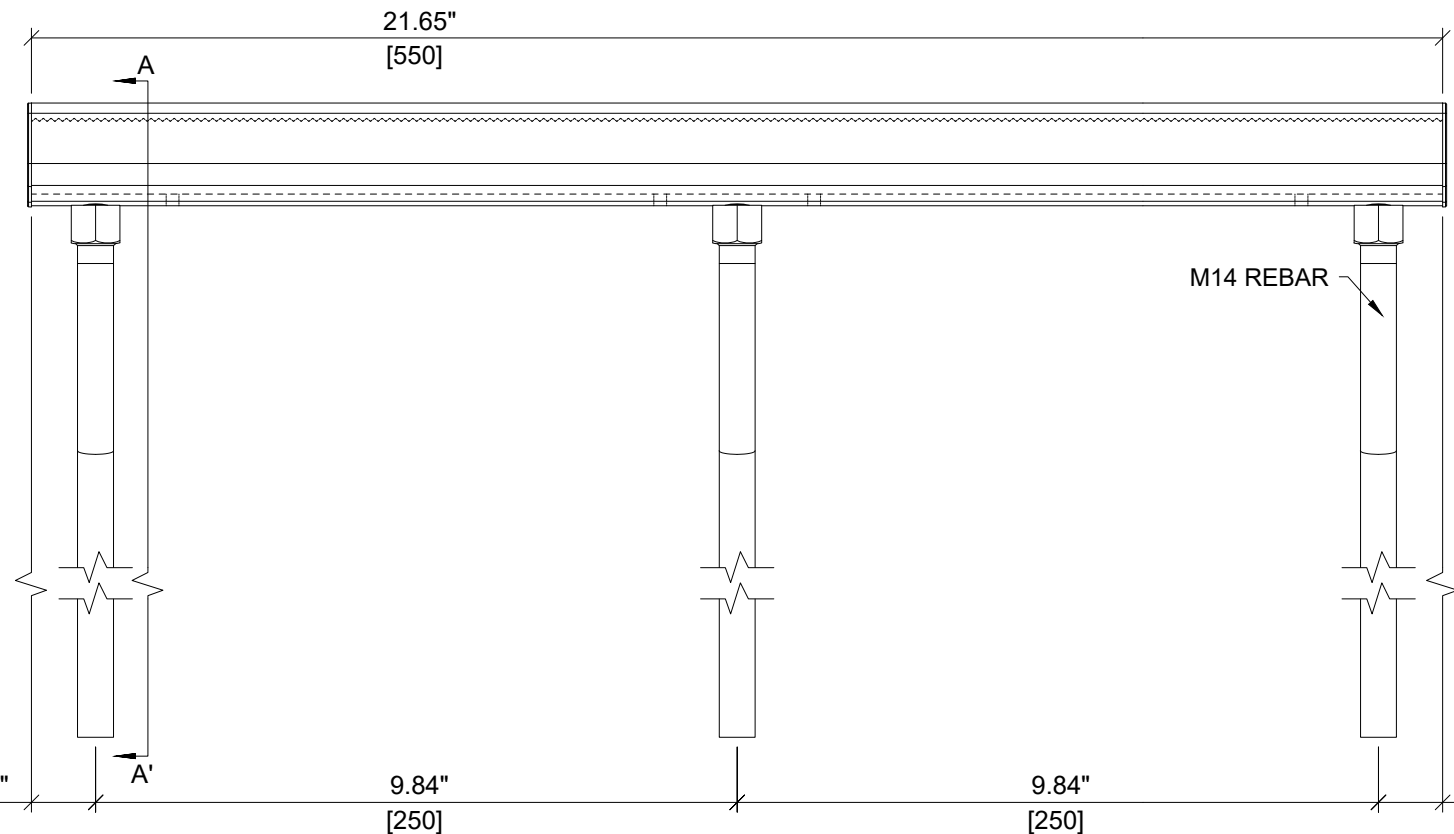
ITEM	DESCRIPTION	QUANTITY
1	CHANNEL PROFILE	1
2	RIVET CONNECTION	3
3	M14 REBAR	3
4	END CAP	2
5	TEAR OUT BAND	1
6	FILLER FOAM	1

ITEM NUMBER: 2348149

CHANNEL LIP: SERRATED

ITEM DESCRIPTION: HAC-V-T 70 820/450 F REBAR XT

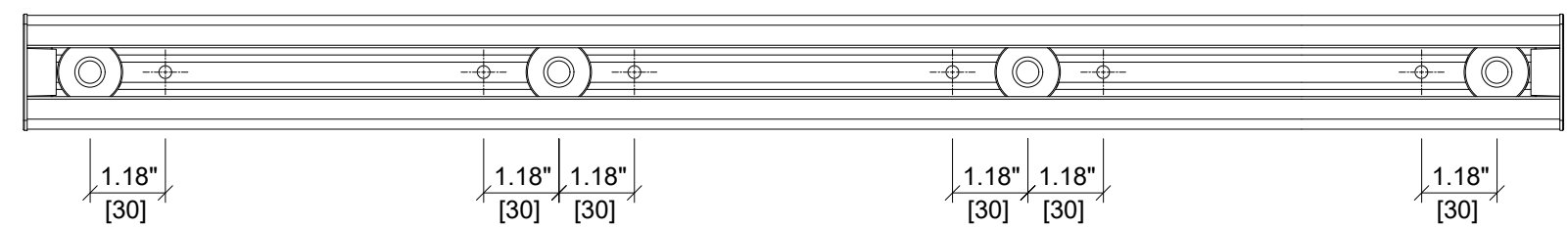
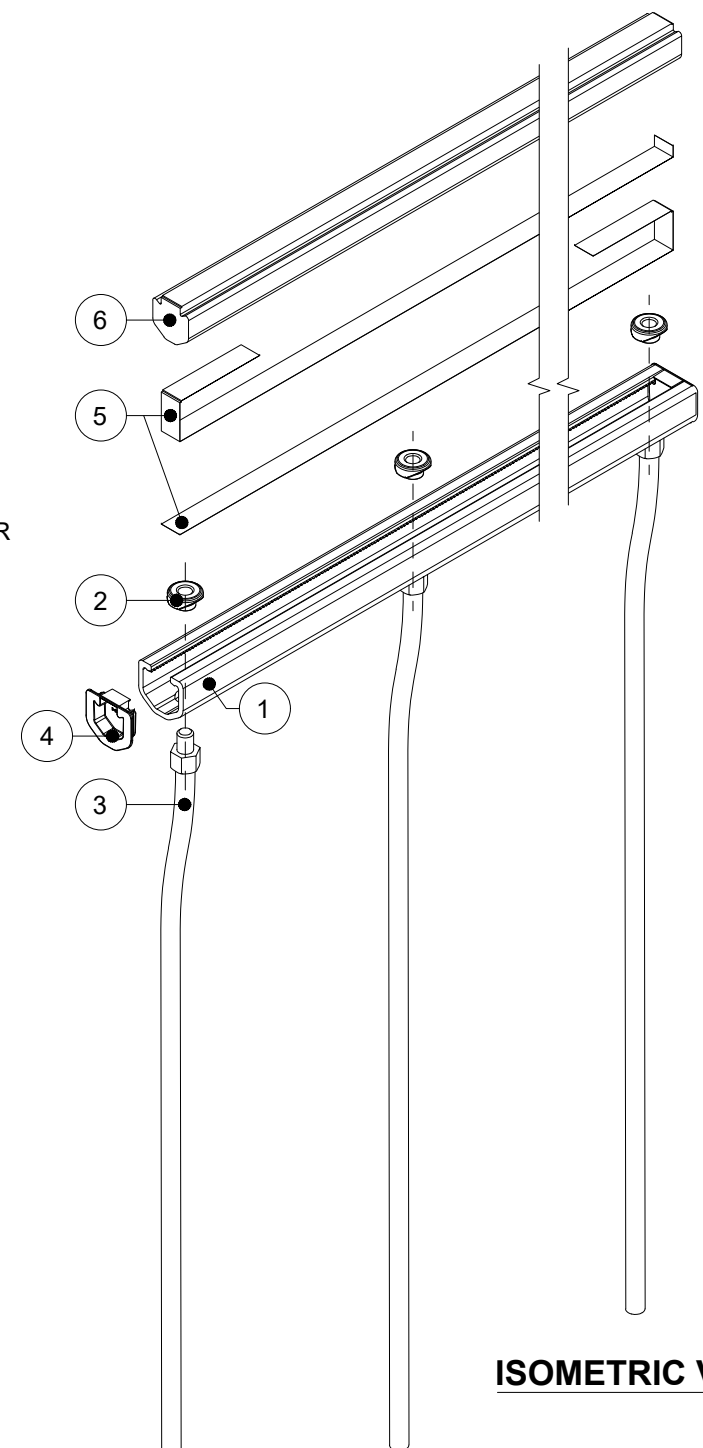
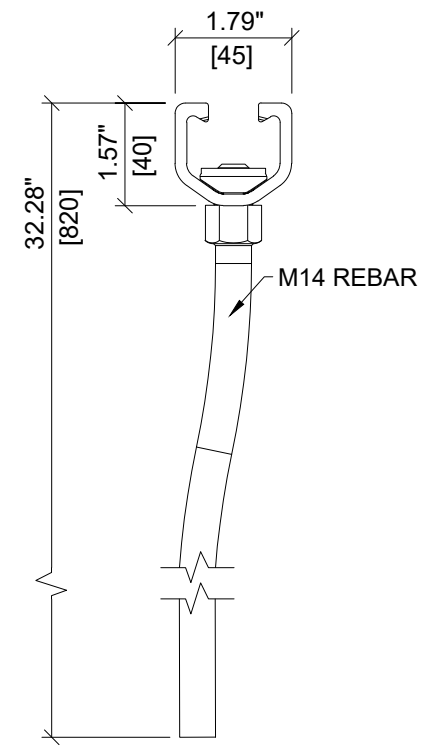
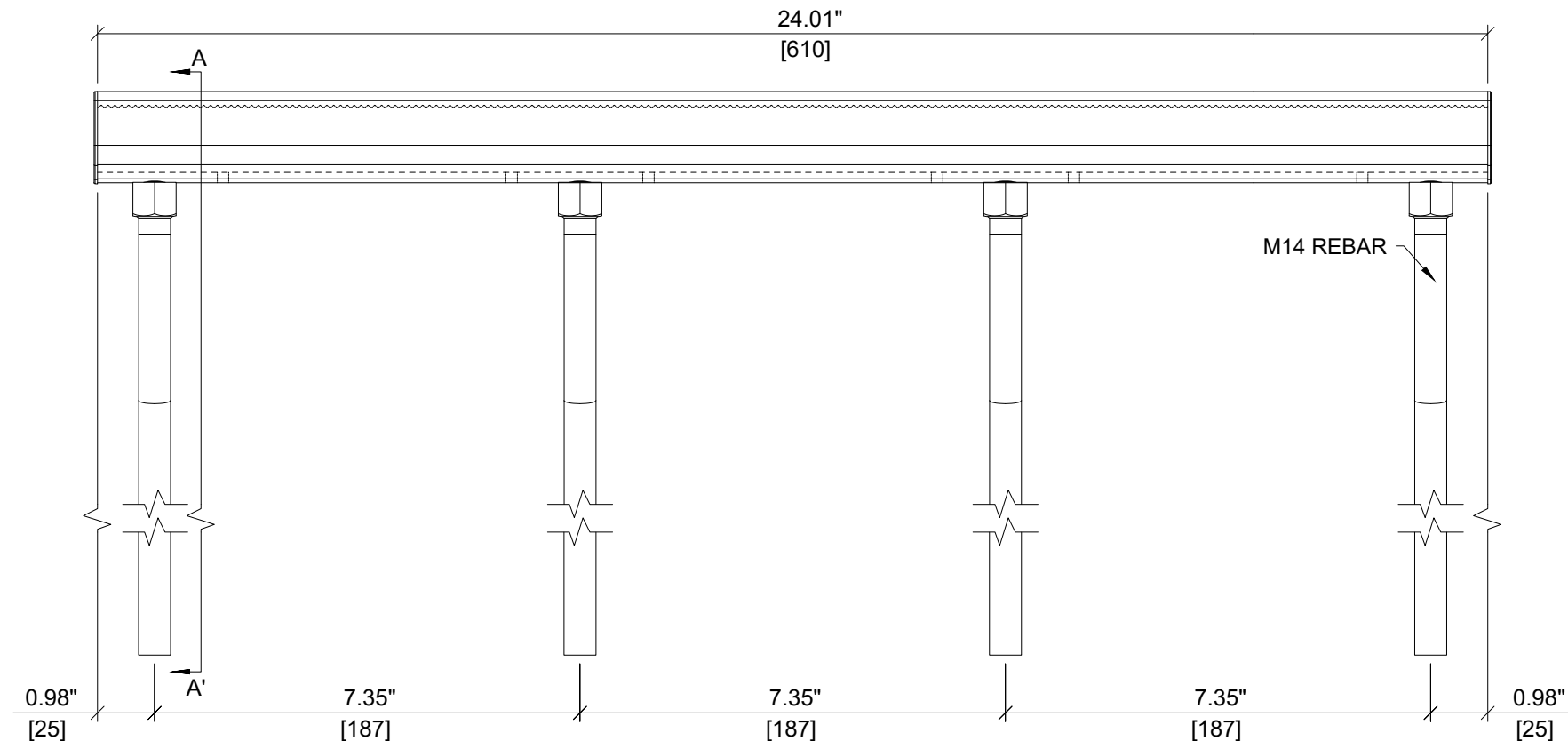
ITEM	DESCRIPTION	QUANTITY
1	CHANNEL PROFILE	1
2	RIVET CONNECTION	3
3	M14 REBAR	3
4	END CAP	2
5	TEAR OUT BAND	1
6	FILLER FOAM	1



HILTI

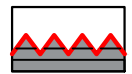
ITEM NUMBER: <div style="font-size: 18px; font-weight: bold;">2348150</div>	CHANNEL LIP: <div style="font-size: 18px; font-weight: bold;">SERRATED</div>
ITEM DESCRIPTION: <div style="font-size: 16px; font-weight: bold;">HAC-V-T 70 820/550 F REBAR XT</div>	

ITEM	DESCRIPTION	QUANTITY
1	CHANNEL PROFILE	1
2	RIVET CONNECTION	4
3	M14 REBAR	4
4	END CAP	2
5	TEAR OUT BAND	2
6	FILLER FOAM	1



HILTI

ITEM NUMBER: 2348151

CHANNEL LIP: SERRATED 

ITEM DESCRIPTION: HAC-V-T 70 820/610 F REBAR XT