

UL SYSTEM NO. W-L-2818

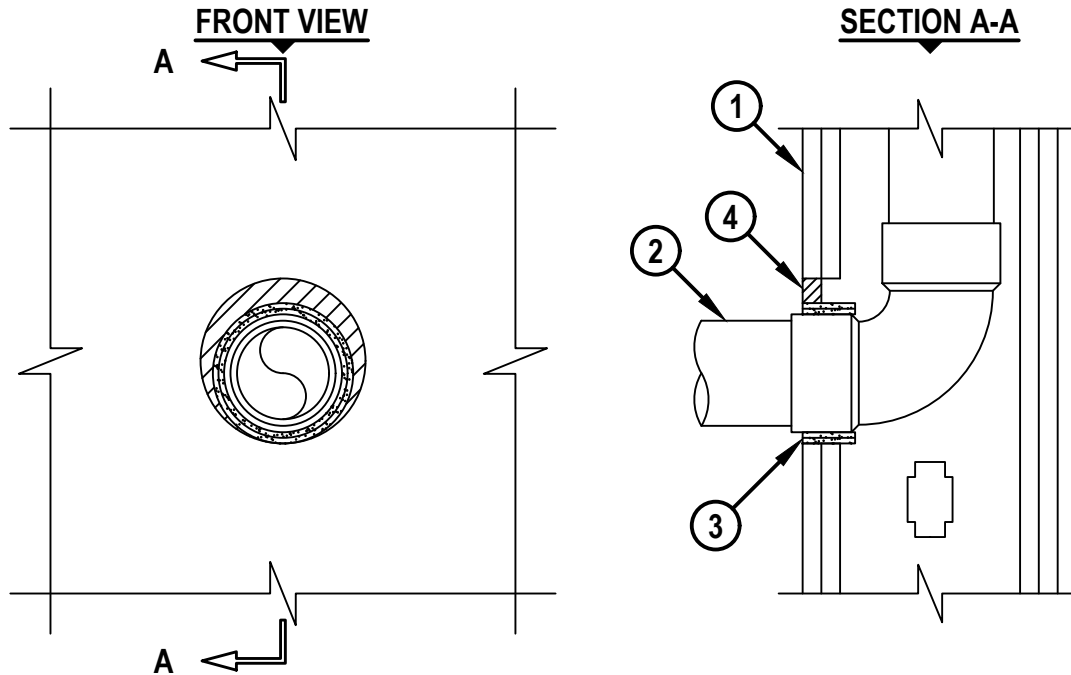
PLASTIC PIPE THROUGH GYPSUM WALL ASSEMBLY

F-RATING = 1-HR. OR 2-HR.

T-RATING = 3/4-HR. OR 2-HR.

L-RATING AT AMBIENT = LESS THAN 1 CFM / SQ FT

L-RATING AT 400°F = LESS THAN 1 CFM / SQ FT



WL2818a.102122

1. GYPSUM WALL ASSEMBLY (UL/cUL CLASSIFIED U400, V400, OR W400 SERIES) (1-HR. OR 2-HR. FIRE-RATING) (2-HR. SHOWN) TO INCLUDE THE FOLLOWING CONSTRUCTION FEATURES :
 - A. [NOT SHOWN] STEEL STUDS TO BE MINIMUM 6" WIDE (SPACED MAXIMUM 24" OC).
 - B. NOMINAL 5/8" THICK GYPSUM WALLBOARD. TYPE, NUMBER OF LAYERS, AND SHEET ORIENTATION AS SPECIFIED IN THE INDIVIDUAL UL DESIGN.
2. PENETRATING ITEM TO BE ONE OF THE FOLLOWING :
 - A. MAXIMUM 3" NOMINAL DIAMETER PVC PLASTIC PIPE (SOLID CORE).
 - B. MAXIMUM 3" NOMINAL DIAMETER RNC CONDUIT.
 - C. MAXIMUM 3" NOMINAL DIAMETER CPVC PLASTIC PIPE (CLOSED PIPING SYSTEM ONLY).
3. HILTI CP 648E WRAP STRIP (NOMINAL 3/16" THICK x 1-3/4" WIDE) INDIVIDUALLY WRAPPED AROUND THE OUTER CIRCUMFERENCE OF THE PIPE, COVERING TWO TIMES, AND HELD IN PLACE WITH TAPE. WRAP STRIP SLID INTO ANNULAR SPACE, AND FLUSH WITH THE FACE OF THE WALL ASSEMBLY.
4. MINIMUM 5/8" DEPTH HILTI FS-ONE MAX INTUMESCENT FIRESTOP SEALANT FLUSH WITH ACCESSIBLE SIDE OF WALL ASSEMBLY.

NOTES : 1. MAXIMUM DIAMETER OF OPENING = 5-1/2".

2. ANNULAR SPACE = MINIMUM 3/8", MAXIMUM 1-1/4".

3. CLOSED OR VENTED PIPING SYSTEM (PVC, RNC = SCHEDULE 40; CPVC = SDR 13.5).

HILTI
Hilti Firestop Systems

HILTI, Inc.
Plano, Texas USA (800) 879-8000

Sheet	1 of 1
Scale	5/32" = 1"
Date	Oct. 21, 2022

Drawing No.

WL
2818a

Saving Lives through Innovation and Education