



Classified by  
Underwriters Laboratories, Inc.  
to ASTM E2307

## System No. CW-D-1015

F Rating — 2 Hr

T Rating — 1/2 Hr

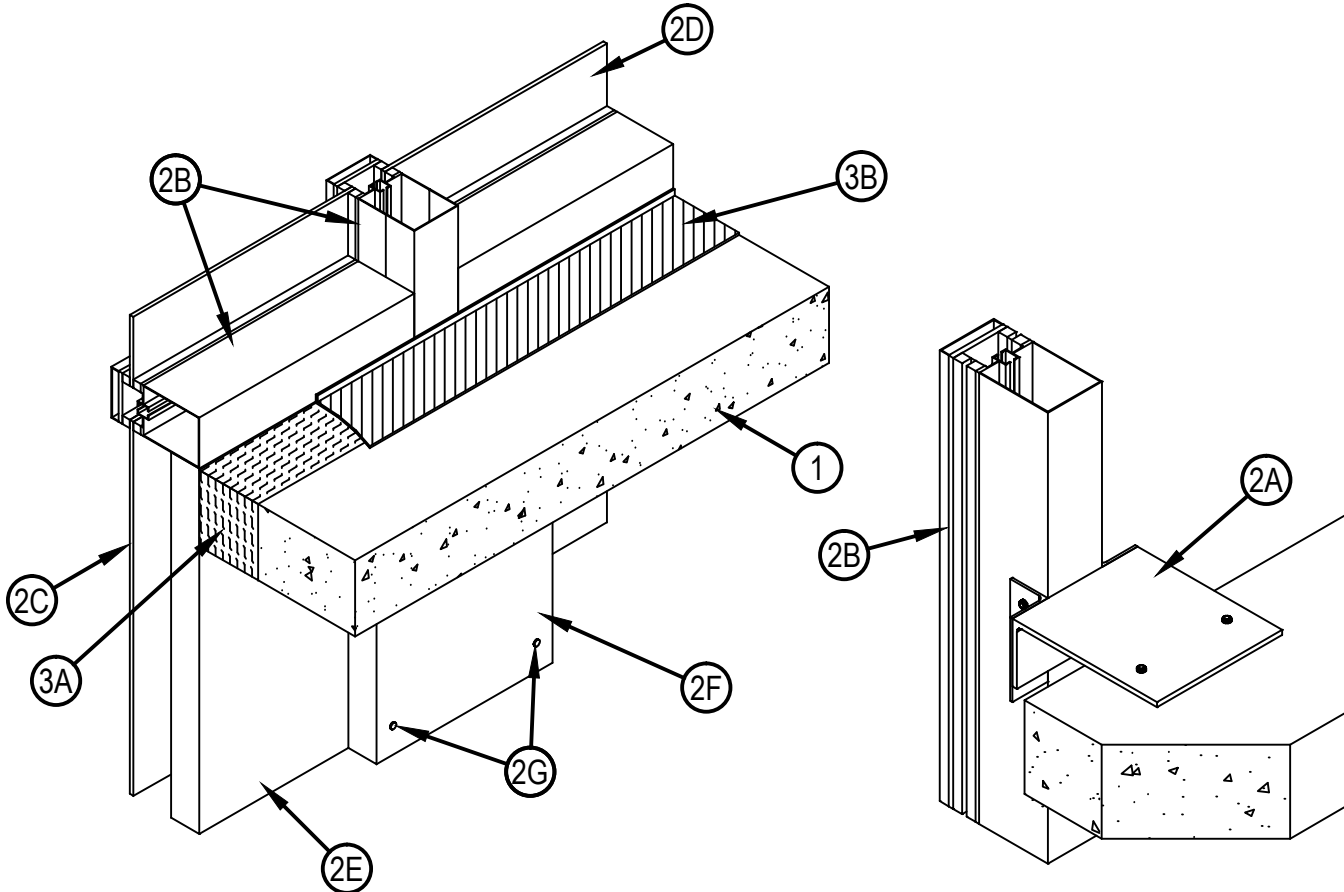
Linear Opening Width — 4 In. Max

L Rating At Ambient — Less Than 1 CFM/sq ft

L Rating At 400 F — Less Than 1 CFM/sq ft

Class II Movement Capabilities — 5% Vertical Shear

CWD 1015



1. Floor Assembly — Min 4-1/2 in. (114 mm) thick reinforced lightweight or normal weight (100-150 pcf or 1600-2400 kg/m<sup>3</sup>) structural concrete.

2. Curtain Wall Assembly — The curtain wall assembly shall incorporate the following construction features:

A. Mullion Mounting Brackets — Min 3 in. (76 mm) by 3 in. (76 mm) by 1/4 in. steel angles attached through the mullion on each side with min 3/8 in. (10 mm) diam steel bolts with steel nuts and washers. The brackets are attached to a min 8 in. (203 mm) by 3-1/4 in. (83 mm) by 1/2 in. (13 mm) thick steel angles with a min 4 in. (51 mm) long with min 1/2 in. (13 mm) diam steel bolts with steel nuts and washers. The 8 in. (203 mm) by 3-1/4 in. (83 mm) angle is secured to the top of floor with two min 1/2 in. (13 mm) diam steel masonry anchors in conjunction with steel washers.

A1. Mullion Mounting Brackets — As an alternate to Item 2A, min 8 in. (203 mm) wide by 3/4 in. (19 mm) thick extruded aluminum Halfen mounting brackets with one nom 2 in. (51 mm) high leg for support and attachment of mullion and with one leg at least 6 in. (152 mm) longer than width of linear opening between floor assembly and mullion. Mounting bracket attached to top of floor with two min 1/2 in. (13 mm) diam steel masonry anchors in conjunction with washer plates supplied with mounting bracket.



Hilti Firestop Systems

Reproduced by HILTI, Inc. Courtesy of  
Underwriters Laboratories, Inc.  
May 30, 2014

- B. Framing — The two-piece rectangular tubing mullions (vertical members) and transoms (horizontal members) shall be min 2-1/2 in. (64 mm) wide by 7-1/2 in. (191 mm) deep and shall be formed from min 0.100 in. (2.5 mm) thick aluminum. Mullions spaced max 60 in. (1.52 m) OC and secured to mullion mounting brackets (Item 2A) at each floor level. Interior face of mullions to be max 4 in. (102 mm) from edge of floor assembly. Transoms to be spaced min 24 in. (610 mm) OC. The minimum height from the top of the floor to the bottom of the vision panel sill is 0 in. The maximum height from the top of the floor to the bottom of horizontal transom is 3 in. (76 mm).
- C. Spandrel Panels — The spandrel panels shall consist of one of the following types:
- a. Glass Panels — Nom 1/4 in. (6 mm) thick opaque heat-strengthened glass. Each panel secured in position with aluminum pressure plates in conjunction with glazing gaskets and steel screws.
  - b. Aluminum Panels — Nom 1/8 in. (3 mm) thick aluminum panels with 1/4 in. (6 mm) thick edges. Each panel secured in position with aluminum pressure plates in conjunction with gaskets and steel screws.
  - c. Stone Panels — Nom 1-3/16 in. (46 mm) thick polished granite spandrel panels with 1 in. (25 mm) thick gauged edges. Each panel secured in position with aluminum pressure plates in conjunction with gaskets and steel screws.
- D. Vision Panels — Nom 1/4 in. (6 mm) thick transparent heat-strengthened glass or nom 1 in. (25 mm) thick insulated glass units with two layers of nom 1/4 in. (6 mm) thick transparent heat-strengthened glass separated by a 1/2 in. (25 mm) air space. Each panel secured in position with aluminum pressure plates in conjunction with glazing gaskets and steel screws.
- E. Curtain Wall Insulation\* — Min. 2 in. (51 mm) thick mineral wool batt insulation faced on one side with aluminum foil/scrim vapor retarder. Impasse® Horizontal Hangers are installed in the insulation batt 6 in. (152 mm) from each mullion end and spaced max 16 in. (406 mm) OC across at the window sill transom. One Impasse® Vertical Hanger is installed along both vertical mullion sides of the insulation batt at 6 in. (152 mm) up from the bottom of the insulation batt. Insulation batt is then installed in spandrel area flush with the interior surface of the framing with no vertical or horizontal seams. Impasse® Horizontal Hangers are screw attached to top horizontal transom, Impasse® Vertical Hangers are screw attached to vertical mullions using min No. 10 by min. 1/2 in. (13 mm) self-drilling/self-taping screws. No attachment to the lower horizontal transom is required.  
THERMAFIBER INC — FIRESpan® 90
- F. Mullion Covers - Curtain Wall Insulation\* — Nom 2 in. (51 mm) thick mineral wool batt insulation faced on one side with aluminum foil/scrim vapor retarder, supplied in min 24 by 48 in. (610 by 1219 mm) boards. Min. 12 in. (305 mm) wide strips to be centered over mullions secured to curtain wall insulation (Item 2E) with a min. of four Spiral Anchors (Item 2G) spaced a max 12 in. (305 mm) OC. Mullion covers to tightly abut the bottom of the forming material (Item 3A).  
THERMAFIBER INC — FIRESpan® 90
- G. Light Gauge Framing\* - Spiral Anchor — Galv steel wire spiral anchors used to secure the curtain wall insulation (Item 2F and 2G). Nom length of spiral anchors to be 3-3/4 in. (95 mm), spaced max 12 in. (305 mm) OC.  
THERMAFIBER INC — Spiral Anchor
3. Safing System — Max separation between edge of floor assembly and face of framing members (at time of installation) is 4 in. (102 mm). The safing system is designed to accommodate vertical shear movement up to a max of 5 percent of its installed width. The safing system shall incorporate the following construction features:
- A. Forming Material\* — Nom 4 pcf (64 kg/m<sup>3</sup>) density mineral wool batt insulation. Batt sections cut to a 4 in. (102 mm) width and stacked to a thickness which is min 25 percent greater than the width of the linear gap between the curtain wall insulation and the edge of the concrete floor slab. The forming material is compressed and inserted cut-edge-first into linear gap such that its top surface is flush with the top surface of the floor assembly. A max of one tightly-butted seam is permitted between mullions. Additional piece of forming material to be friction-fit into gap between batt sections above mullion mounting clip at each mullion location.  
THERMAFIBER INC — SAF
  - B. Fill, Void or Cavity Material\* — Min 1/8 in. (3 mm) wet thickness (min 1/16 in. (1.5 mm) dry thickness) of fill material spray-applied over top of forming material and lapping min 1/2 in. (13 mm) onto the top surface of the floor and onto the curtain wall insulation (Item 2E) and mullion covers (Item 2F). When CFS-SP SIL is used, min wet (and dry) thickness of spray is 2 mm.  
HILTI CONSTRUCTION CHEMICALS, DIV OF HILTI INC — CFS-SP WB Firestop Joint Spray and CP 672 FC Firestop Joint Spray, CFS-SP SIL Firestop Silicone Joint Spray

\*Bearing the UL Classification Mark