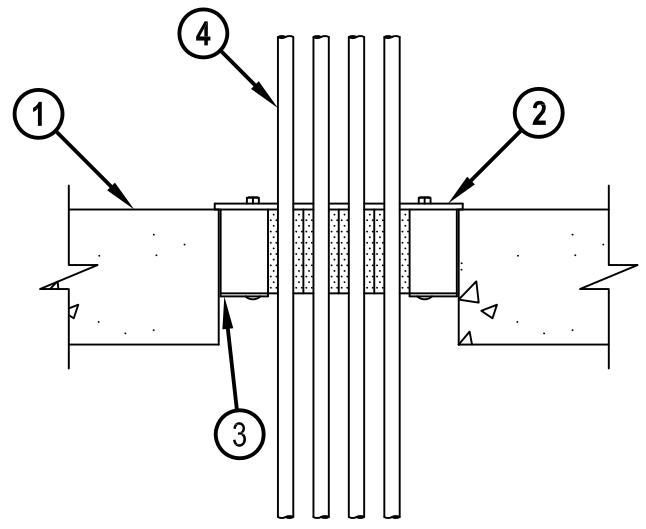
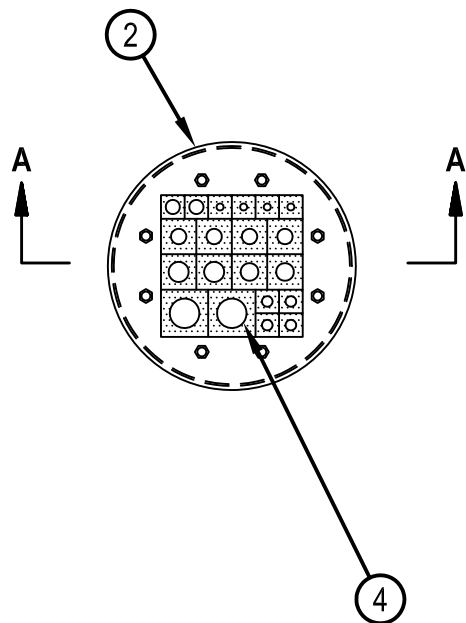


# System No. C-AJ-3319

**CLASSIFIED**  
**C**  **US**  
 Classified by  
 Underwriters Laboratories, Inc.  
 to UL 1479 and CAN/ULC-S115

ANSI/UL1479 (ASTM E814)	CAN/ULC S115
F Rating — 2 Hr	F Rating — 2 Hr
T Rating — 1/2 and 1 Hr (See Item 4)	FT Rating — 1/2 and 1 Hr (See Item 4)
	FH Rating — 2 Hr
	FTH Rating — 1/2 and 1 Hr (See Item 4)



**SECTION A-A**

1. Floor or Wall Assembly — Reinforced lightweight or normal weight (100-150 pcf or 1600-2400 kg/m<sup>3</sup>) concrete. Min 4-1/2 in. (114 mm) thick floor or min 5 in. (127 mm) thick wall. Wall may also be constructed of any UL Classified solid core Concrete Blocks\*. Opening size in wall or floor shall be same as the outside diam of device plug ( $\pm 1/8$  in. or 3 mm). Max diam of opening is 8 in. (203 mm).  
 See Concrete Blocks (CAZT) category in the Fire Resistance Directory for names of manufacturers.
2. Firestop Device\* — The circular firestop device consists of an elastomeric plug with metal trim, elastomeric cable modules and lubricant. The firestop device is intended to be friction fitted into openings from top of floor assembly or from both sides of wall assembly. After installation of the modules into the device, the nuts of the trim plate are tightened to compress the elastomeric plug and form an effective seal around the cables and within the opening. The device shall be installed in accordance with the accompanying installation instructions and shall include the components as described below.
  - A. CFS-T RR GS Plug Seal — CFS-T RR GS Plug Seal. Size range of max RR 200 to min RR 90.
  - B. CFS-T Cable Modules — The rectangular annular space within the firestop device plug is completely filled with elastomeric cable modules, one specifically sized for the outer diameter of each cable penetrant. In areas within the opening with no penetrants, solid cable modules (solid cylindrical core of the unpenetrated module left in place) or filler modules can be used. The cable modules are installed in uniform rows within the device. The total number of modules required within the device is specified by Hilti based on the device size and cable diameters.
  - C. CFS-T LUB — Lubricant is applied to each cable module prior to installation within the device frame.  
 HILTI CONSTRUCTION CHEMICALS, DIV OF HILTI INC — CFS-T RR Plug Seal
3. Fill, Void or Cavity Material\* — After installation of the firestop device, a min 1/4 in. (6 mm) diam bead of putty or sealant is installed within the opening around the periphery of the device to seal the device/concrete interface.  
 HILTI CONSTRUCTION CHEMICALS, DIV OF HILTI INC — CP 619T Putty, FS-ONE Sealant and FS-ONE MAX Intumescent Sealant.



Reproduced by HILTI, Inc. Courtesy of  
 Underwriters Laboratories, Inc.  
 January 14, 2015

4. Cables — Cables to be rigidly supported on both sides of floor or wall assembly. Any combination of the following types and sizes of copper conductor (unless otherwise noted) cables may be used, except that the total number of cables of types E, F and G below shall not exceed six (6). Within each firestop device, cables shall be used for a total visual cable fill of min 0 percent to max 100 percent (one cable in each cable module within the device).

A. Max RG 6/U coaxial cable with fluorinated ethylene insulation and jacketing.

B. Max 7/C No. 12 AWG copper conductor control cable with PVC or XLPE jacket and insulation.

C. Max 24 fiber optic cable with polyvinyl chloride (PVC) or polyethylene (PE) jacket and insulation having a max diam of 1/2 in. (13 mm).

D. Max 3/C with ground No. 8 AWG (or smaller) copper conductor NM cable (Romex) with PVC insulation and jacket.

E. Max 4/0 AWG 600V aluminum Type XHHW-2 ground cable with XLPE jacket and insulation.

F. Max 150 pair No. 24 AWG (or smaller) copper conductor telecommunication cable with polyvinyl chloride (PVC) jacketing and insulation.

G. Max 7/C with ground, 600 V, No. 10 AWG (or smaller) copper conductor, aluminum armor TECK 90 cable with XLPE insulation and PVC inner/outer jacket.

The T, FT and FTH Rating of the firestop system is 1 hr except that when cable types B, F and/or G are used, the T, FT and FTH Rating is ½ hr.

\* Indicates such products shall bear the UL or cUL Certification Mark for jurisdictions employing the UL or cUL Certification (such as Canada), respectively.

