

cUL SYSTEM NO. W-J-2400

# PLASTIC PIPE THROUGH CONCRETE WALL ASSEMBLY

F-RATING = 2-HR.

FT-RATING = 1-HR.

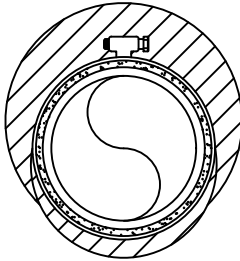
FH AND FTH-RATINGS = 0-HR.

NOTE : TESTED WITH A 50 Pa PRESSURE DIFFERENTIAL

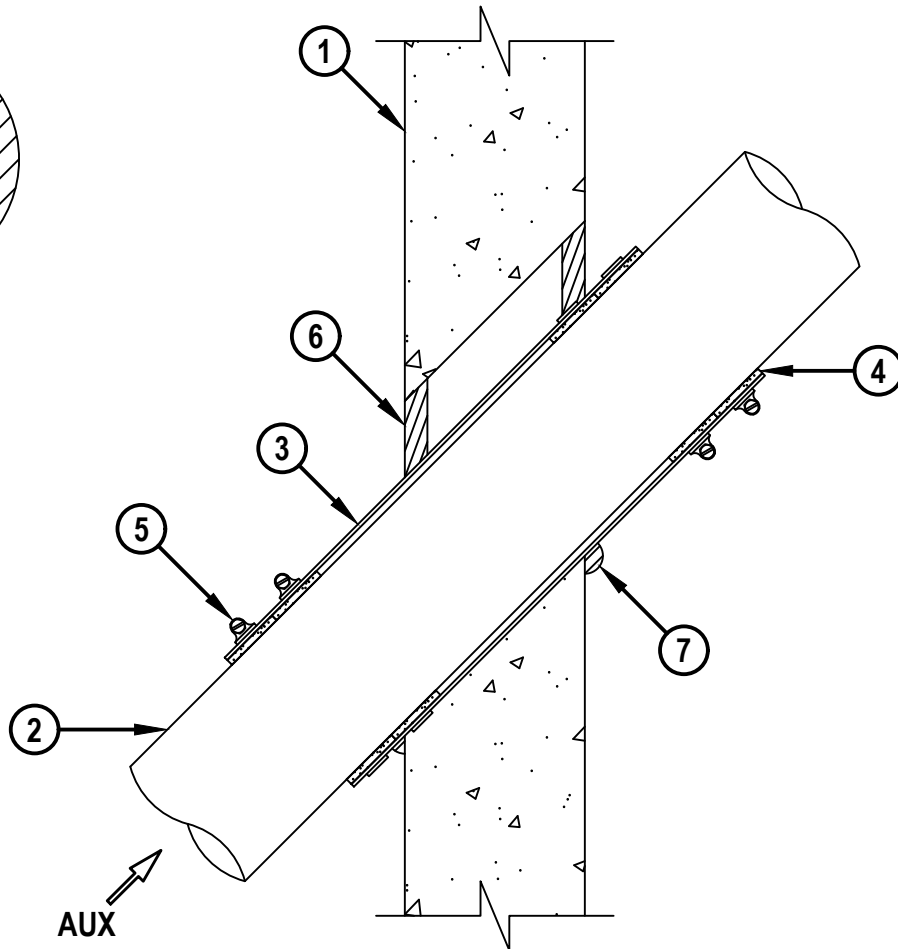


cUL WJ2400a.081623

AUXILIARY VIEW



CROSS-SECTIONAL VIEW



HILTI, Inc.  
Plano, Texas USA (800) 879-8000

Sheet	1 of 2
Scale	3/16" = 1"
Date	Aug. 16, 2023

Drawing No.  
**cUL**  
**WJ2400a**

*Saving Lives through Innovation and Education*

cUL SYSTEM NO. W-J-2400



# PLASTIC PIPE THROUGH CONCRETE WALL ASSEMBLY

F-RATING = 2-HR.

FT-RATING = 1-HR.

FH AND FTH-RATINGS = 0-HR.

NOTE : TESTED WITH A 50 Pa PRESSURE DIFFERENTIAL

cUL WJ2400a.081623

1. CONCRETE WALL ASSEMBLY (2-HR. FIRE-RATING) :
  - A. LIGHTWEIGHT OR NORMAL WEIGHT CONCRETE WALL (MINIMUM 5" THICK).
  - B. ANY UL/cUL CLASSIFIED CONCRETE BLOCK WALL.
2. PENETRATING ITEM TO BE ONE OF THE FOLLOWING AND INSTALLED AT AN ANGLE NOT GREATER THAN 45° FROM PERPENDICULAR :
  - A. MAXIMUM 4" NOMINAL DIAMETER XFR-PVC PLASTIC PIPE (SCHEDULE 40) (SOLID CORE) (CLOSED OR VENTED PIPING SYSTEM).
3. MAXIMUM 5-1/4" NOMINAL DIAMETER SHEET METAL SLEEVE (MIN. 28 GA.) HAVING A MINIMUM 1" LAP ALONG LONGITUDINAL SEAM. LENGTH OF SLEEVE TO EXTEND 2" BEYOND EACH SURFACE OF WALL. SLEEVE TO BE COMPRESSED AROUND THE PIPE (ITEM 2) AND WRAP STRIP (ITEM 4) USING HOSE CLAMPS (ITEM 5).
4. HILTI CP 648E WRAP STRIP (NOMINAL 3/16" THICK x 1-3/4" WIDE) CONTINUOUSLY WRAPPED AROUND THE OUTER CIRCUMFERENCE OF THE PIPE, IN TWO ADJACENT SINGLE-LAYER STACKS, AND HELD IN PLACE WITH TAPE. WRAP STRIP IS INSTALLED FLUSH WITH ENDS OF SHEET METAL SLEEVE.
5. NOMINAL 1/2" WIDE STAINLESS STEEL HOSE CLAMP(S) FASTENED AROUND SHEET METAL SLEEVE AT THE CENTER OF EACH WRAP STRIP.
6. MINIMUM 5/8" DEPTH HILTI FS-ONE MAX INTUMESCENT FIRESTOP SEALANT.
7. MINIMUM 1/2" BEAD HILTI FS-ONE MAX INTUMESCENT FIRESTOP SEALANT APPLIED AT POINT OF CONTACT.

NOTES : 1. MAXIMUM DIMENSIONS OF OVAL OPENING ARE 6" WIDE BY 8-3/4" TALL.  
 2. ANNULAR SPACE BETWEEN SLEEVE AND PERIPHERY OF OPENING = MINIMUM 0", MAXIMUM 1-1/2".

 <b>Hilti Firestop Systems</b>	HILTI, Inc. Plano, Texas USA (800) 879-8000	Sheet	2 of 2	Drawing No. <b>cUL</b> <b>WJ2400a</b>
		Scale	-	
		Date	Aug. 16, 2023	
<i>Saving Lives through Innovation and Education</i>				