

UL/cUL SYSTEM NO. W-L-7321

SUPPORT MEMBER THROUGH GYPSUM SHAFT WALL ASSEMBLY

F-RATING = 1-HR. OR 2-HR.

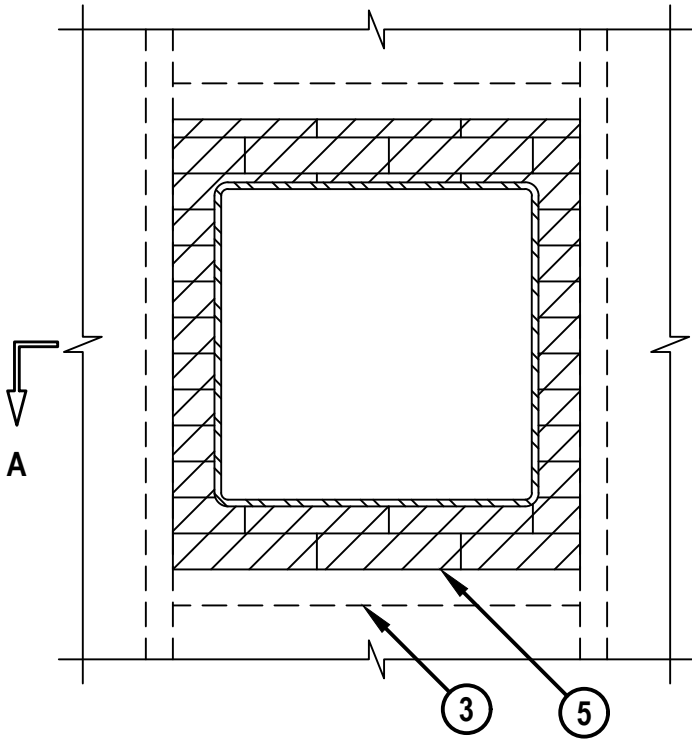
T-RATING = 1/2-HR.

L-RATING AT AMBIENT = LESS THAN 1 CFM / SQ FT

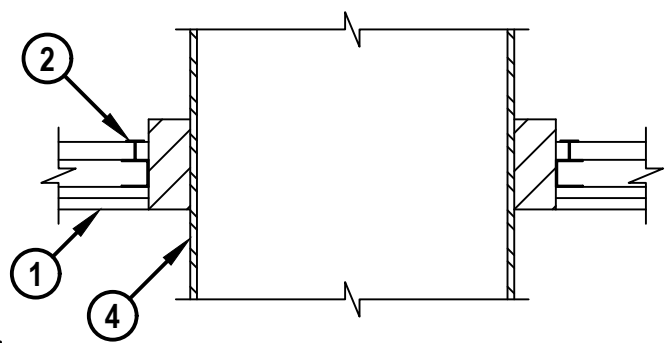
L-RATING AT 400°F = LESS THAN 1 CFM / SQ FT

WL7321a.100223

FRONT VIEW



SECTION A-A



HILTI, Inc.
Plano, Texas USA (800) 879-8000

Sheet	1 of 2
Scale	3/32" = 1"
Date	Oct. 02, 2023

Drawing No.

**WL
7321a**

Saving Lives through Innovation and Education

UL/cUL SYSTEM NO. W-L-7321

SUPPORT MEMBER THROUGH GYPSUM SHAFT WALL ASSEMBLY

F-RATING = 1-HR. OR 2-HR.

T-RATING = 1/2-HR.

L-RATING AT AMBIENT = LESS THAN 1 CFM / SQ FT

L-RATING AT 400°F = LESS THAN 1 CFM / SQ FT

WL7321a.100223

1. GYPSUM SHAFT WALL ASSEMBLY (UL/cUL CLASSIFIED U400, V400, OR W400) (2-HR. FIRE-RATING).
2. "C-T" OR "C-H" SHAPED STEEL STUDS (MIN. 2-1/2" WIDE, 1-1/2" DEEP, MIN. 25 GA) SPACED MAXIMUM 24" C/C. STEEL STUDS TO FRAME THE VERTICAL SIDES OF THE OPENING IN THE WALL ASSEMBLY (SEE NOTE NO. 3 BELOW).
3. STEEL J-RUNNERS (MIN. 2-1/2" WIDE, MIN. 20 GA) TO BE USED AS THE HORIZONTAL FRAMING OF THE OPENING. RUNNER TO BE SECURED TO EACH SIDE OF OPENING WITH MINIMUM 1-1/2" LONG TYPE S STEEL SCREWS.
4. STRUCTURAL STEEL TUBE SERVICE SUPPORT (MAX. 18" x 18" x MIN. 0.38" THICK) RIGIDLY SUPPORTED ON BOTH SIDES OF WALL ASSEMBLY (SEE NOTE NO. 4 BELOW).
5. HILTI CFS-BL FIRESTOP BLOCK (2" THICK x 8" WIDE x 5" DEEP) FIRMLY PACKED WITHIN WALL, AND FLUSH WITH THE FINISHED SIDE OF THE WALL ASSEMBLY (SEE NOTE NO. 5 BELOW).

- NOTES :**
1. MAXIMUM SIZE OF OPENING = 22-5/8" x 25".
 2. ANNULAR SPACE = MINIMUM 1-1/4", MAXIMUM 5-1/4".
 3. WHERE OPENING WIDTH IS 20" OR LESS, THE VERTICAL SIDES OF THE OPENING ARE TO BE FRAMED WITH STEEL STUD MATERIAL (ITEM 2) OR STEEL J-RUNNERS ATTACHED TO THE HORIZONTAL RUNNERS WITH MINIMUM 1-1/2" LONG TYPE S STEEL SCREWS.
 4. STRUCTURAL STEEL TUBE SERVICE SUPPORT (ITEM 4) MAY BE FILLED WITH CONCRETE, GROUT, OR MORTAR.
 5. IF SURFACE VOIDS LARGER THAN 1/4" EXIST WITHIN FIRESTOP BLOCKS (ITEM 5) FILL VOIDS WITH HILTI FS-ONE MAX INTUMESCENT FIRESTOP SEALANT TO THE MAXIMUM EXTENT POSSIBLE.



HILTI, Inc.
Plano, Texas USA (800) 879-8000

Sheet	2 of 2
Scale	-
Date	Oct. 02, 2023

Drawing No.

**WL
7321a**

Saving Lives through Innovation and Education