



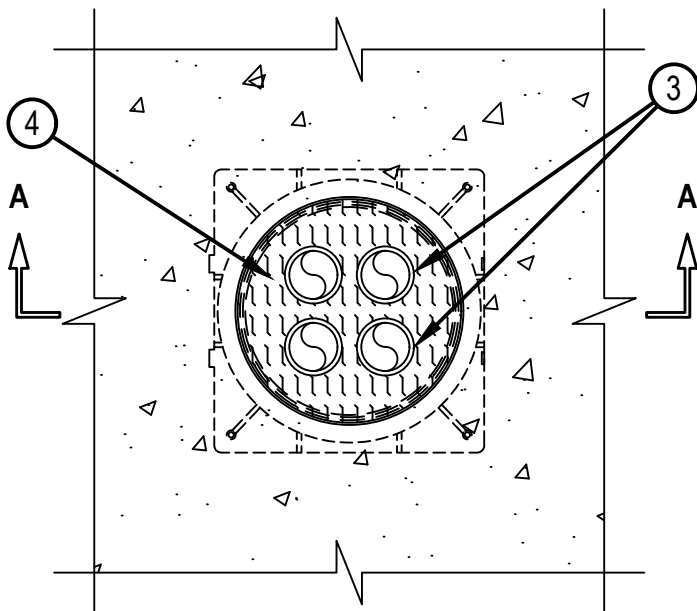
Classified by
Underwriters Laboratories, Inc.
to UL 1479 and CAN/ULC-S115

System No. F-A-1225

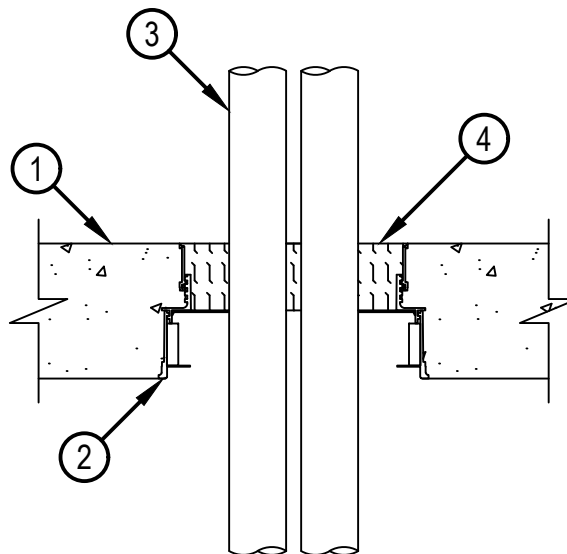
FA 1225

ANSI/UL1479 (ASTM E814)	CAN/ULC S115
F Rating — 3 Hr	F Rating — 3 Hr
T Rating — 1 Hr	FT Rating — 1 Hr
	FH Rating — 3 Hr
	FTH Rating — 1 Hr

TOP VIEW



SECTION A-A



1. Floor Assembly — Min 4-1/2 in. (114 mm) thick reinforced lightweight or normal weight (100-150 pcf or 1600-2400 kg/m³) concrete.
2. Firestop Device* — Cast in place firestop device with optional accessories including sleeve extensions permanently embedded during concrete placement or grouted in concrete floor assembly in accordance with accompanying installation instructions with a max 2 in. (51 mm) projection above the top surface of the concrete.
HILTI CONSTRUCTION CHEMICALS, DIV OF HILTI INC — CFS-CID U 2", CFS-CID U 2" CA, CFS-CID U 3", CFS-CID U 4", CFS-CID U 6"
3. Through Penetrants — Max four metallic pipes, tubes or conduits installed within the system. The annular space between the penetrants shall be min 1/4 in. to max 1-1/2 in. (6 to 38 mm). The annular space between penetrants and the device shall be min 1/4 in. to max 1-1/2 in. (6 to 38 mm). Penetrants to be rigidly supported on both sides of floor assembly. The following types of metallic pipes, tubes or conduits may be used.
 - A. Steel Pipe — Nom 1-1/2 in. (38 mm) diam (or smaller) Schedule 5 (or heavier) steel pipe.
 - B. Conduit — Nom 1-1/2 in. (38 mm) diam (or smaller) steel electrical metallic tubing (EMT) or rigid steel conduit.
 - C. Copper Tubing — Nom 1 in. (25 mm) diam (or smaller) Type L (or heavier) copper tubing.
 - D. Copper Pipe — Nom 1 in. (25 mm) diam (or smaller) Regular (or heavier) copper pipe.
4. Packing Material — Min 2 in. (51 mm) thickness of min 4 pcf (64 kg/m³) mineral wool batt insulation firmly packed into top of device completely filling the space around conduits to fullest depth allowed by the device.

* Indicates such products shall bear the UL or cUL Certification Mark for jurisdictions employing the UL or cUL Certification (such as Canada), respectively.



Hilti Firestop Systems

Reproduced by HILTI, Inc. Courtesy of
Underwriters Laboratories, Inc.
March 12, 2024