



Classified by
Underwriters Laboratories, Inc.
to UL 1479

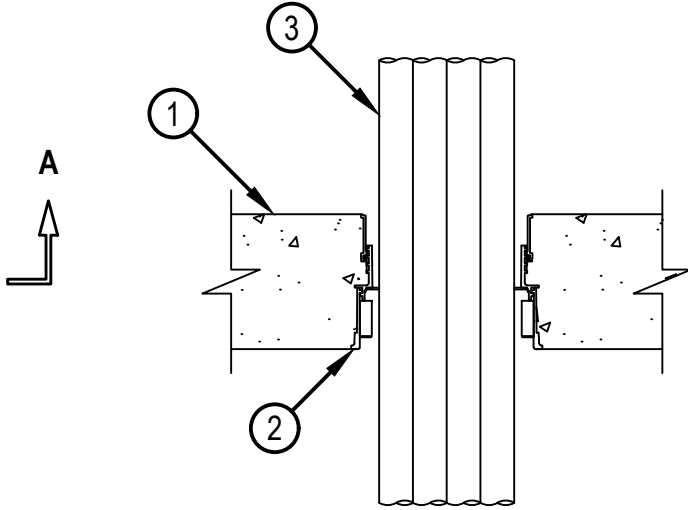
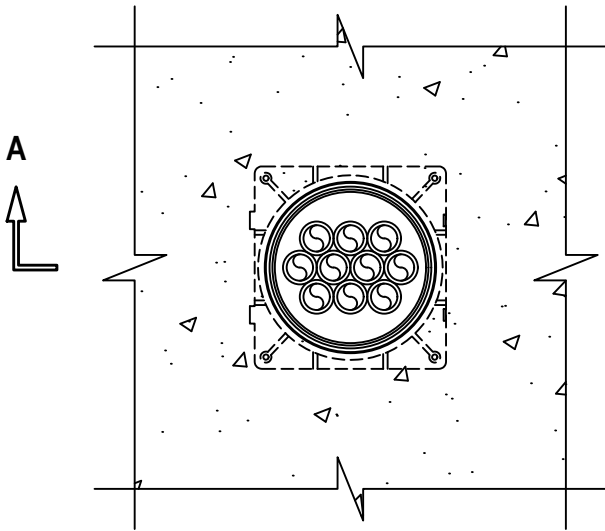
System No. F-A-2407

ANSI/UL1479 (ASTM E814)
F Rating — 2 Hr
T Ratings — 0 and 2 Hr (See Item 3)

FA 2407

TOP VIEW

SECTION A-A



System No. F-A-2407

FA 2407

1. Floor Assembly — Min 4-1/2 in. (114 mm) thick reinforced lightweight or normal weight (100-150 pcf or 1600-2400 kg/m³) concrete.
2. Firestop Device* — Cast in place firestop device with optional accessories including sleeve extension permanently embedded during concrete placement or grouted in concrete assembly in accordance with accompanying installation instructions with a max 2 in. (51 mm) projection above the top surface of the concrete.

HILTI CONSTRUCTION CHEMICALS, DIV OF HILTI INC — CFS-CID U 2", CFS-CID U 2" CA, CFS-CID U 3", CFS-CID U 4"

3. Through Penetrants — One nom 4 in. (102 mm) diam (or smaller) tight bundle of nom 1/2 in. (13 mm) diam (or smaller) SDR 9 crosslinked polyethylene (PEX) tubes for use in closed (process or supply) or vented (drain, waste or vent) piping systems. Tubes to be rigidly supported on both sides of floor assembly.

The T rating of the firestop system is dependent upon nom diam of the penetrant bundle and the size of the firestop device as follows:

Nom Bundle Diameter *	Firestop Device	T Rating-Hr
2 in. (51 mm)	CFS-CID U 2", CFS-CID U 2" CA	2
3 in. (76 mm)	CFS-CID U 3"	2
4 in. (102 mm)	CFS-CID U 4"	2

* - When bundle diameters smaller than those shown in the table are used, bundles shall be installed in conjunction with Item 4 and the T Ratings are 0 hr.

4. Packing Material — (Not Shown) When bundle sizes are less than those shown in the above table, min 4 pcf (64 kg/m³) mineral wool insulation shall be firmly packed to the fullest extent possible within the device flush with top surface of device.

* Indicates such products shall bear the UL or cUL Certification Mark for jurisdictions employing the UL or cUL Certification (such as Canada), respectively.



Hilti Firestop Systems

Reproduced by HILTI, Inc. Courtesy of
Underwriters Laboratories, Inc.
March 12, 2024