



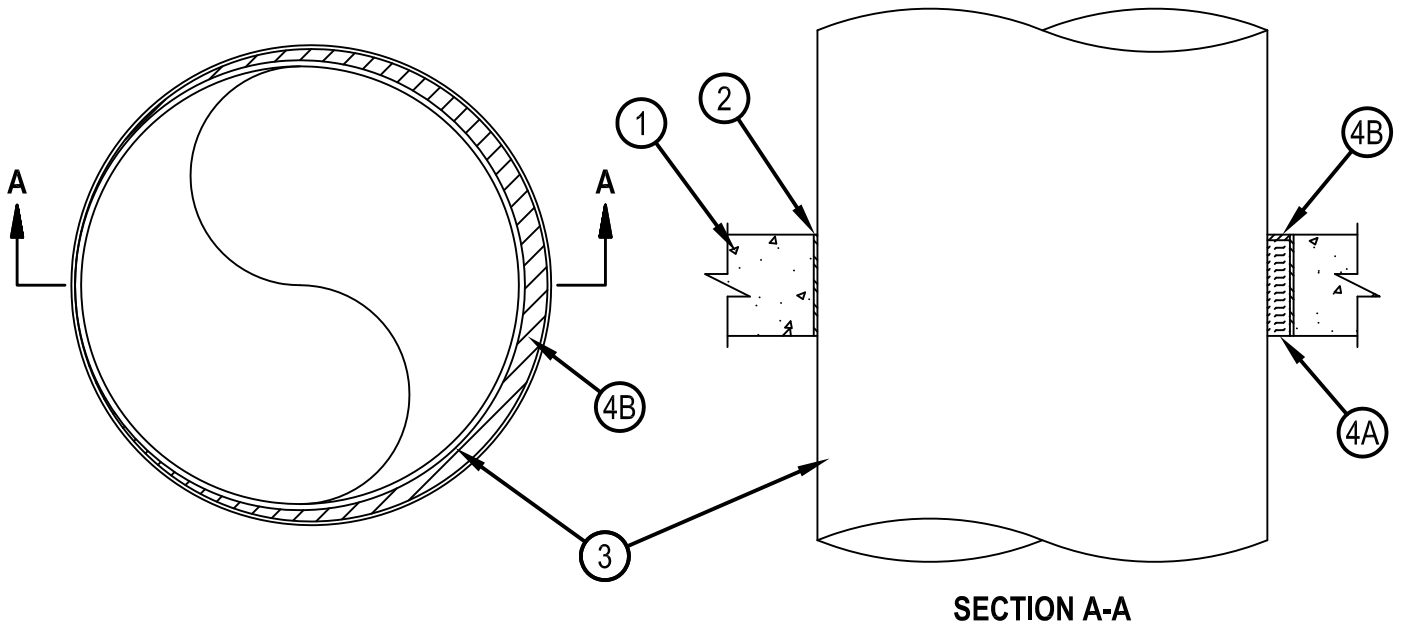
Classified by
Underwriters Laboratories, Inc.
to CAN/ULC-S115

System No. C-AJ-1012

F Rating — 3 Hr
FT Rating — 0 Hr
FH Rating — 0 Hr
FTH Rating — 0 Hr



CAJ 1012



1. Floor Assembly — Min 114 mm (4-1/2 in.) thick reinforced lightweight or normal weight (100-150 pcf) concrete. Max diameter of opening is 0.81 m (31-7/8 in.).
2. Metallic Sleeve (Optional) — Nom 0.813 m (32 in.) diam (or smaller) Schedule 40 (or heavier) steel sleeve cast or grouted into floor flush with floor surfaces.
3. Through Penetrants — One metallic pipe, conduit or tubing to be installed concentrically or eccentrically within the firestop system. Pipe, conduit or tubing to be rigidly supported on both sides of floor assembly. The annular space between pipe, conduit or tubing and the periphery of the opening shall be min 0 in. (point contact) to max 48 mm (1-7/8 in.). The following types of pipe, conduit or tubing may be used:
 - A. Steel Pipe — Nom 762 mm (30 in.) diam (or Smaller) Schedule 10 (or heavier) steel pipe.
 - B. Iron Pipe — Nom 762 mm (30 in.) diam (or smaller) cast or ductile iron pipe.
 - C. Conduit — Nom 152 mm (6 in.) diam (or smaller) rigid steel conduit.
 - D. Conduit — Nom 102 mm (4 in.) diam (or smaller) steel electrical metallic conduit.
 - E. Copper Tubing — Nom 152 mm (6 in.) diam (or smaller) Type L (or heavier) copper tubing.
 - F. Copper Pipe — Nom 152 Mm (6 in.) diam (or smaller) Regular (or heavier) copper pipe.
4. Firestop System — The firestop system shall consist of the following:
 - A. Packing Material — Min 102 mm (4 in.) thickness of 64 kg/cu m (4 pcf) mineral wool batt insulation tightly packed into the opening as a permanent form. Packing material to be recessed from top surface of floor as required to accommodate the required thickness of fill material.
 - B. Fill, Void or Cavity Materials*-Sealant — Min 6 mm (1/4 in.) thickness of fill material applied within the annulus, flush with top surface of floor.
HILTI CONSTRUCTION CHEMICALS, DIV OF HILTI INC — CP604 Self-Leveling Firestop Sealant, CFS-S SIL GG or CFS-S SIL SL (floors only) Sealant

*Bearing the UL Classification Mark



Hilti Firestop Systems

Reproduced by HILTI, Inc. Courtesy of
Underwriters Laboratories, Inc.
December 26, 2013