



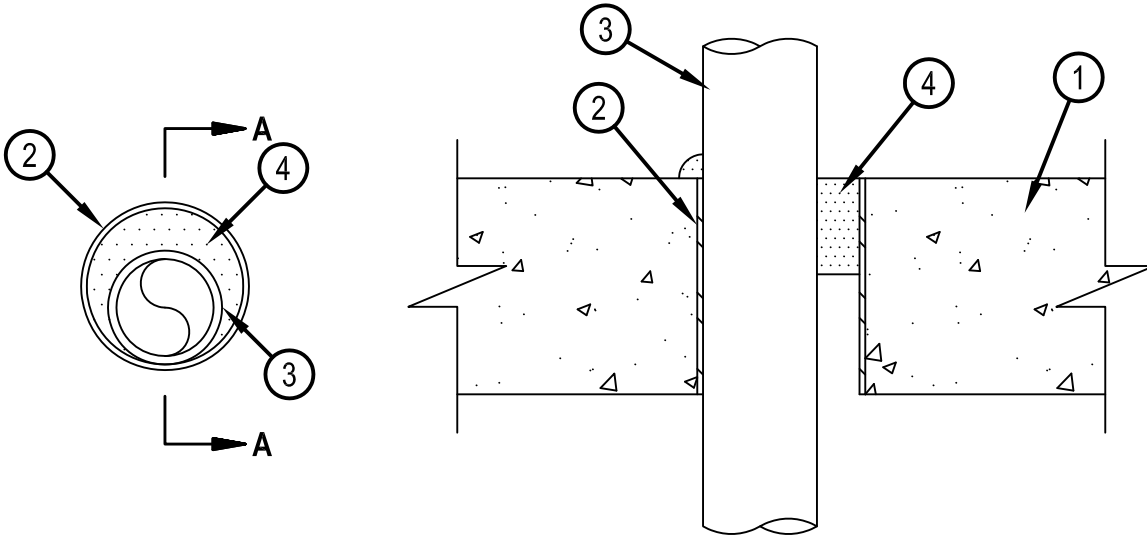
Classified by  
Underwriters Laboratories, Inc.  
to CAN/ULC-S115

## System No. C-AJ-2042

F Ratings — 1 and 2 Hr (See Item 2)  
FT, FH and FTH Ratings — 0 Hr



CAJ 2042



**SECTION A-A**

1. Floor or Wall Assembly — Min 114 mm (4-1/2 in.) thick reinforced lightweight or normal weight (1600-2400 kg/m<sup>3</sup> or 100-150 pcf) concrete. Wall may also be constructed of any UL Classified Concrete Blocks\*. Max diam of opening is 76 mm (3 in.).  
See Concrete Blocks (CAZT) category in the Fire Resistance Directory for names of manufacturers.
2. Metallic Sleeve — (Optional) - Nom 76 mm (3 in.) diam (or smaller) Schedule 10 (or heavier) steel pipe cast or grouted into floor or wall assembly, flush with floor or wall surfaces. If steel sleeve is used, the F Rating is 1 hr. Otherwise, F Rating is 2 hr.
3. Nonmetallic Pipe — Nom 51 mm (2 in.) diam (or smaller) BLAZEMASTER SDR 13.5 Chlorinated Polyvinyl Chloride (CPVC) pipe for use in closed (process or supply) piping systems. One pipe to be installed either concentrically or eccentrically within the firestop system. The annular space shall be min 0 mm (0 in., point contact) to a max of 16 mm (5/8 in.). Pipe to be rigidly supported on both sides of floor or wall assembly.
4. Fill, Void or Cavity Material\* - (Sealant) — Min 51 mm (2 in.) thickness of fill material applied within the annulus, flush with top surface of floor or with both surfaces of wall. At the point contact location between pipe and concrete, a min 13 mm (1/2 in.) diam bead of fill material shall be applied at the concrete/pipe interface on the top surface of floor and on both surfaces of wall.

HILTI CONSTRUCTION CHEMICALS, DIV OF HILTI INC — FS-ONE Sealant or FS-ONE MAX Intumescent Sealant

\* Indicates such products shall bear the UL or cUL Certification Mark for jurisdictions employing the UL or cUL Certification (such as Canada), respectively.



**Hilti Firestop Systems**

Reproduced by HILTI, Inc. Courtesy of  
Underwriters Laboratories, Inc.

January 07, 2015