



Classified by  
Underwriters Laboratories, Inc.  
to CAN/ULC-S115

## System No. F-B-2009

F Rating — 2 Hr

FT Rating — 2 Hr

FH Rating — 2 Hr

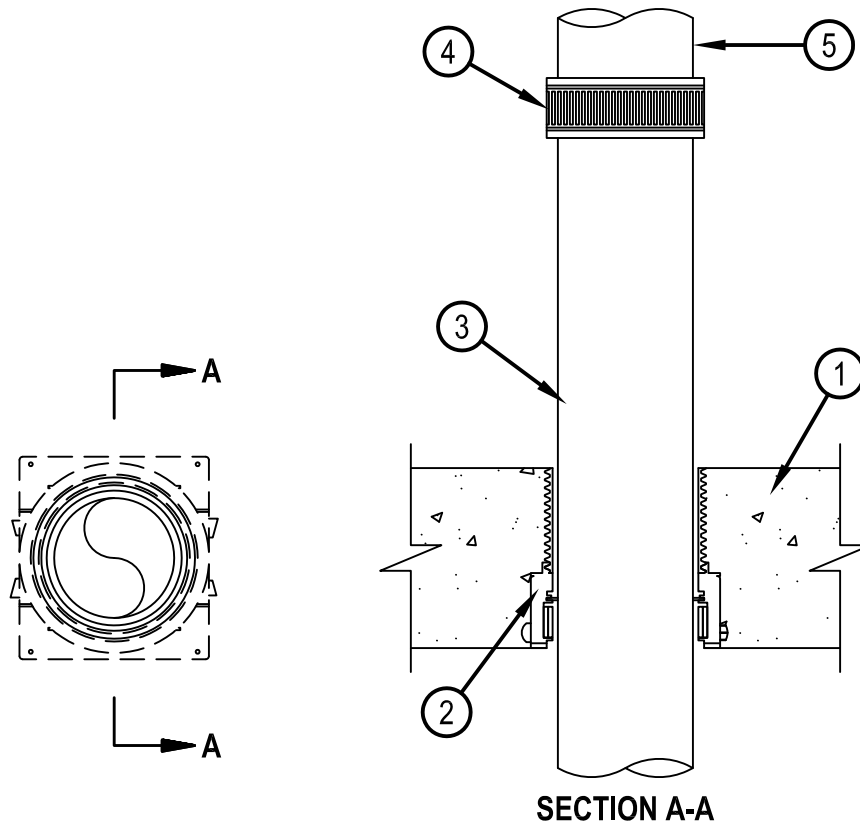
FTH Rating — 2 Hr

L Rating at Ambient — Less Than 5 L/s/sq meter

L Rating at 400 F — Less Than 5 L/s/sq meter



FB 2009



System tested with a pressure differential of 50 Pa between the exposed and the unexposed surfaces with the higher pressure on the exposed side.

1. Floor Assembly — Min 152 mm (6 in.) thick reinforced lightweight or normal weight (1600-2400 kg/m<sup>3</sup> or 100-150 pcf) concrete.
2. Firestop Device\* — Cast in place firestop device with intumescent ring permanently embedded during concrete placement or grouted in concrete assembly in accordance with accompanying installation instructions. Device size to be same size as nom diam of nonmetallic pipe (102 mm (4 in.) pipe with 4 in. device, 76 mm (3 in.) pipe with 3 in. device etc.). Device to be installed flush with bottom of floor. Top of device cut flush with top surface of floor.

HILTI CONSTRUCTION CHEMICALS, DIV OF HILTI INC — CP 680-P 4", CP 680-P 3", CP 680-P 2", CP 680-PX 2", CP 680-PX 3"

3. Nonmetallic Pipe — One nonmetallic pipe to be centered within the firestop system. Pipe to extend min 305 mm (12 in.) above top surface of floor. Pipe to be rigidly supported on both sides of floor assembly. The following type and size of nonmetallic pipes may be used:
  - A. Polyvinyl Chloride (PVC) Pipe — Nom 102 mm (4 in.) diam (or smaller) Schedule 40 solid core or cellular core PVC pipe for use in closed (process or supply) or vented (drain, waste or vent) piping systems.
  - B. Chlorinated Polyvinyl Chloride (CPVC) Pipe — Nom 102 mm (4 in.) diam (or smaller) SDR 13.5 CPVC pipe for use in closed (process or supply) piping systems.
4. Compression Coupling — Nonmetallic pipe (Item 3) to be secured to metallic pipe (Item 5) with compression type high pressure pipe coupling with elastomeric gasket and a stainless steel jacket with stainless steel band clamps.
5. Metallic Pipe — Nom 102 mm (4 in.) diam (or smaller) Schedule 10 (or heavier) cast or ductile iron pipe. Pipe to be rigidly supported.

\* Indicates such products shall bear the UL or cUL Certification Mark for jurisdictions employing the UL or cUL Certification (such as Canada), respectively.



**Hilti Firestop Systems**

Reproduced by HILTI, Inc. Courtesy of  
Underwriters Laboratories, Inc.

June 29, 2015