

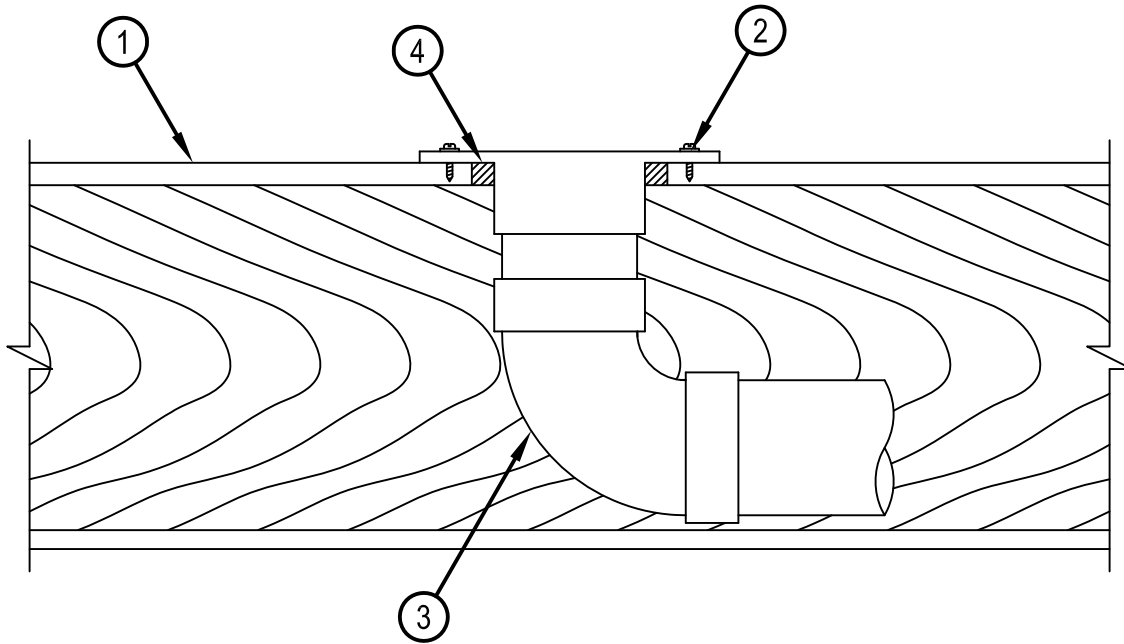


Classified by
Underwriters Laboratories, Inc.
to UL 1479 and CAN/ULC-S115

System No. F-C-2010

F Rating -- 1 Hr
FT Rating -- 3/4 Hr
FH Rating -- 1 Hr
FTH Rating -- 3/4 Hr

FC 2010



System tested with a pressure differential of 50 Pa between the exposed and the unexposed surfaces with the higher pressure on the exposed side.

1. Floor-Ceiling Assembly — The 1 hr fire-rated solid or trussed lumber joist floor-ceiling assembly shall be constructed of the materials and in the manner specified in the individual L500 Series Floor-Ceiling Designs in the UL Fire Resistance Directory. The general construction features of the floor-ceiling assembly are summarized below:
 - A. Flooring System — Lumber or plywood subfloor with finish floor of lumber, plywood or Floor Topping Mixture* as specified in the individual Floor-Ceiling Design. Max diam of opening shall be 127 mm (5 in.).
 - B. Wood Joists* — Nom 254 mm (10 in.) deep (or deeper) lumber, steel or combination lumber and steel joists, trusses or Structural Wood Members* with bridging as required and with ends firestopped.
 - C. Gypsum Board* — Nom 16 mm (5/8 in.) thick, 1.22 m (4 ft) wide as specified in the individual Floor-Ceiling Design.
2. Closet Flange — Acrylonitrile butadiene styrene (ABS) or polyvinyl chloride (PVC) closet stub sized to accommodate drain pipe. Closet flange installed over drain piping within floor opening with flange secured to plywood floor with steel screws. Annular space between closet flange and periphery of opening shall be 6 mm (1/4 in.).
3. Drain Piping — Nom 104 mm (4 in.) diam Schedule 40 acrylonitrile butadiene styrene (ABS) or polyvinyl chloride (PVC) drain pipe and 90 degree elbow for use in vented (drain, waste or vent) piping systems. Pipe installed concentrically within firestop system.
4. Fill, Void or Cavity Materials* - Sealant — Min 19 mm (3/4 in.) thickness of fill material applied within the annulus, flush with the bottom surface of floor.
HILTI CONSTRUCTION CHEMICALS, DIV OF HILTI INC — CP 606 Flexible Firestop Sealant or FS-ONE Sealant or FS-ONE MAX Intumescent Sealant.
5. Water Closet — (Not Shown) - Floor mounted vitreous china water closet.

* Indicates such products shall bear the UL or cUL Certification Mark for jurisdictions employing the UL or cUL Certification (such as Canada), respectively.



Hilti Firestop Systems

Reproduced by HILTI, Inc. Courtesy of
Underwriters Laboratories, Inc.
January 20, 2015